

## Slim Duct (4000 BTU) Indoor Unit For Heat-recovery/Heat-pump Airstage VRF System

Job Name \_\_\_\_\_  
 Location \_\_\_\_\_  
 Engineer \_\_\_\_\_  
 Submitted To \_\_\_\_\_  
 Submitted By \_\_\_\_\_  
 Reference \_\_\_\_\_

Date \_\_\_\_\_  
 Approval \_\_\_\_\_  
 Construction \_\_\_\_\_  
 Unit No \_\_\_\_\_  
 Drawing No \_\_\_\_\_

### FEATURES

- Quiet 3-speed fan
- Slim design require small height clearance 9-3/4"
- Adjustable Static pressure from 0 to 0.36 in.WG
- Built-in high-lift drain pump
- Flexible air intake connection (Back or bottom)
- Built-in intake air filter
- Optional Auto louver grille
- Auxiliary heat operation capability
- 10 year Extended Warranty on parts and compressor. See Warranty



### STATIC PRESSURE

Static Pressure Range - in.WG [Pa] 0 ~ 0.12 (0 ~ 30)  
 Standard Static Pressure - in.WG [Pa] 0.04 (10)

### CAPACITY

Capacity - Cooling - Btu/h [kW] 4,000 (1.2)  
 Capacity - Heating - Btu/h [kW] 4,400 (1.3)

### PIPING ACCESSORIES

UTP-AX090A Separation Tube - 2-Pipe - 90 MBH or Less  
 UTP-AX180A Separation Tube - 2-Pipe - 91 to 180 MBH  
 UTP-AX567A Separation Tube - 2-Pipe - 180 MBH or More

### ELECTRICAL

Power Source 208 / 230V, 1-Phase, 60Hz  
 Available Voltage Range - VAC 187 to 253  
 Input Power - W 26  
 Full Load Amps - FLA - A 0.28  
 Max Circuit Breaker - A 15  
 Minimum Circuit Ampacity - MCA - A 0.35

### CONTROLLER

UTY-RNRUZZ Individual Touch Panel Controller (Wired Remote)  
 UTY-RSRY Simple Remote (WITH Master Control) 2-Wire  
 UTY-RHRY Simple Remote (WITHOUT Master Control) 2-Wire  
  
 UTY-LNHU Wireless Remote Controller (requires IR Receiver)  
  
 UTY-DCGY Central Remote Controller (100 units)  
 UTY-DTGYZ1 Touch Panel Controller with Internet (400 units)

### FAN

Fan Type 2X (Sirocco)  
 Airflow Rate - High - CFM [m³/h] 271 (460)  
 Airflow Rate - Medium - CFM [m³/h] 247 (420)  
 Airflow Rate - Low - CFM [m³/h] 218 (370)

### ACCESSORIES

#N/A #N/A  
 UTD-GXSA-W Auto Louver Grille for Slim Duct  
 UTY-XSZX Remote Sensor for ducted units

### SOUND PRESSURE

Sound Pressure Level - dB(A) 21/23/25

### WIRING

Communication Cable LonWorks (Fujitsu Pink Cable. See AE Bulletin 009)

### WEIGHT AND DIMENSIONS

Enclosure - Net Weight - lbs [kg] 32 (14.5)  
 Enclosure - Gross Weight - lbs [kg] 40 (18)  
 Dimensions - Net (H x W x D) - in [mm] 19-5/16×27-9/16×17-11/161  
 98×700×450  
 Dimensions - Gross (H x W x D) - in [mm] 9-13/16×36-5/8×22-13/16  
 250×930×580

### PIPING

Connection Pipe Diameter - Liquid (Flare) - in [mm] ø 1/4 [6.35]  
 Connection Pipe Diameter - Gas (Flare) - in [mm] ø 1/2 [12.70]  
 Connection Pipe Diameter - Drain (ID; OD) - in [mm] ø 3/4 [19]  
 Drain-Pump Built-in  
 Drain-Pump Lift - in [mm] 33 7/16 [850]

### ETL

### TEMPERATURE SETTINGS

Operating Temp. Cooling (DB) - °F [°C] 64 to 90 [18 to 32]  
 Operating Temp. Heating (DB) - °F [°C] 50 to 86 [10 to 30]

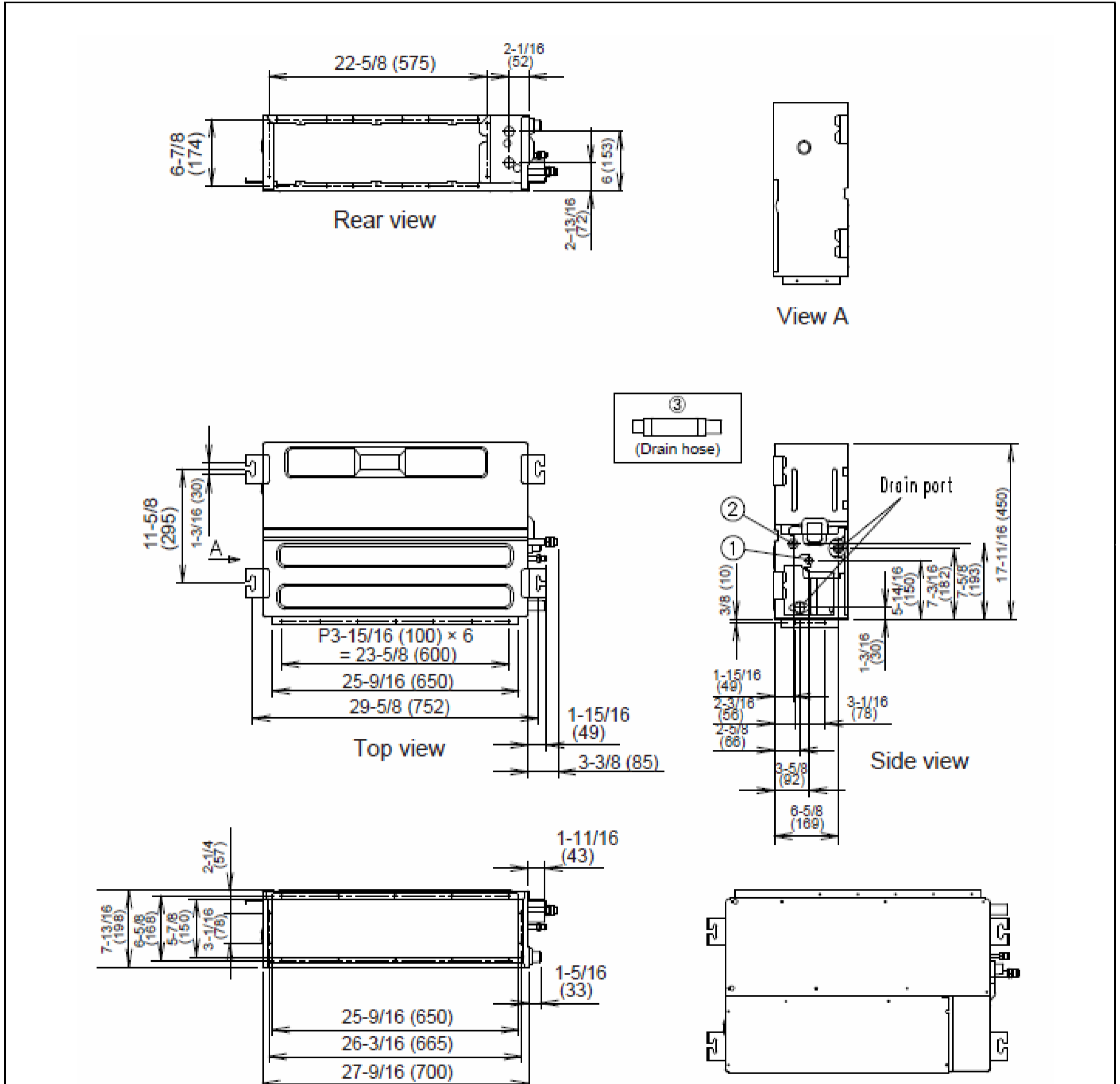
Note: Specifications are based on the following conditions:  
 Cooling: Indoor temperature of 80°F (26.7°C) DB/67°F (19.4°C) WB, and outdoor temperature of 95°F (35°C) DB/75°F (23.9°C) WB. Heating: Indoor temperature of 70°F (21.1°C) DB/60°F (15.6°C) WB, and outdoor temperature of 47°F (8.3°C) DB/43°F (6.1°C) WB. Pipe length: 25ft. (7.5m), Height difference: 0ft. (0m) (Outdoor unit - indoor unit).



Fujitsu General America, Inc.  
 353 Route 46 West  
 Fairfield, NJ 07004  
 Toll Free: (888) 888-3424  
 Fax: (973) 836-0453  
 www.airstagevrf.com

DIMENSIONS

Unit: In. (mm)



Fujitsu General America, Inc.  
 353 Route 46 West  
 Fairfield, NJ 07004  
 Toll Free: (888) 888-3424  
 Fax: (973) 836-0453  
 www.airstagevrf.com