

Slim Duct (4000 BTU) Indoor Unit For Heat-recovery/Heat-pump Airstage VRF System

Job Name _____
 Location _____
 Engineer _____
 Submitted To _____
 Submitted By _____
 Reference _____

Date _____
 Approval _____
 Construction _____
 Unit No _____
 Drawing No _____

FEATURES

- Quiet 3-speed fan
- Slim design require small height clearance 9-3/4"
- Adjustable Static pressure from 0 to 0.12 in.WG
- Built-in high-lift drain pump
- Flexible air intake connection (Back or bottom)
- Built-in intake air filter
- Optional Auto louver grille
- Auxiliary heat operation capability
- 10 year Extended Warranty on parts and compressor. See Warranty Statement.



STATIC PRESSURE

Static Pressure Range - in.WG [Pa] 0 ~ 0.12 (0 ~ 30)
 Standard Static Pressure - in.WG [Pa] 0.04 (10)

CAPACITY

Capacity - Cooling - Btu/h [kW] 4,000 (1.2)
 Capacity - Heating - Btu/h [kW] 4,400 (1.3)

PIPING ACCESSORIES

UTP-AX090A Separation Tube - 2-Pipe - 90 MBH or Less
 UTP-AX180A Separation Tube - 2-Pipe - 91 to 180 MBH
 UTP-AX567A Separation Tube - 2-Pipe - 180 MBH or More

ELECTRICAL

Power Source 208 / 230V, 1-Phase, 60Hz
 Available Voltage Range - VAC 187 to 253
 Input Power - W 26
 Full Load Amps - FLA - A 0.28
 Max Circuit Breaker - A 15
 Minimum Circuit Ampacity - MCA - A 0.35

CONTROLLER

UTY-RNRUZZ Individual Touch Panel Controller (Wired Remote)
 UTY-RSRY Simple Remote (WITH Master Control) 2-Wire
 UTY-RHRY Simple Remote (WITHOUT Master Control) 2-Wire
 UTY-LNHU Wireless Remote Controller (requires IR Receiver)
 UTY-DCGY Central Remote Controller (100 units)
 UTY-DTGYZ1 Touch Panel Controller with Internet (400 units)

FAN

Fan Type 2X (Sirocco)
 Airflow Rate - High | Medium High - CFM [m³/h] 2 - [4(0)]
 Airflow Rate - Medium | Medium Low - CFM [m³/h] 2(+ P)| 2') [4\$0]
 Airflow Rate - Low | Quiet - CFM [m³/h] 2% [370] | &\$\$ [3(0)]

ACCESSORIES

UTD-GXSA-W Auto Louver Grille for Slim Duct
 UTY-XSZX Remote Sensor for ducted units

SOUND PRESSURE

Sound Pressure Level - dB(A) 2) / 2(/ 2' / 2& 2%P

WIRING

Communication Cable LonWorks (Fujitsu Pink Cable. See AE Bulletin 009)

WEIGHT AND DIMENSIONS

Enclosure - Net Weight - lbs [kg] 32 (14.5)
 Enclosure - Gross Weight - lbs [kg] 40 (18)
 Dimensions - Net (H x W x D) - in [mm] 7 13/16x27-9/16x17-11/16
 198x700x450
 Dimensions - Gross (H x W x D) - in [mm] 9-13/16x36-5/8x22-13/16
 250x930x580

PIPING

Connection Pipe Diameter - Liquid (Brazing) - in [mm] ø 1/4 [6.35]
 Connection Pipe Diameter - Gas (Brazing) - in [mm] ø 3/8 [9.52]
 Connection Pipe Diameter - Drain (ID; OD) - in [mm] ø 3/4 [19]
 Drain-Pump Built-in
 Drain-Pump Lift - in [mm] 33 7/16 [850]

ETL

TEMPERATURE RANGES

Operating Temp. Cooling (DB) - °F [°C] 64 to 88 [18 to 31]
 Operating Temp. Heating (DB) - °F [°C] 50 to 88 [10 to 31]

Note: Specifications are based on the following conditions:
 Cooling: Indoor temperature of 80°F (26.7°C) DB/67°F (19.4°C) WB, and outdoor temperature of 95°F (35°C) DB/75°F (23.9°C) WB. Heating: Indoor temperature of 70°F (21.1°C) DB/60°F (15.6°C) WB, and outdoor temperature of 47°F (8.3°C) DB/43°F (6.1°C) WB. Pipe length: 25ft. (7.5m), Height difference: 0ft. (0m) (Outdoor unit - indoor unit).

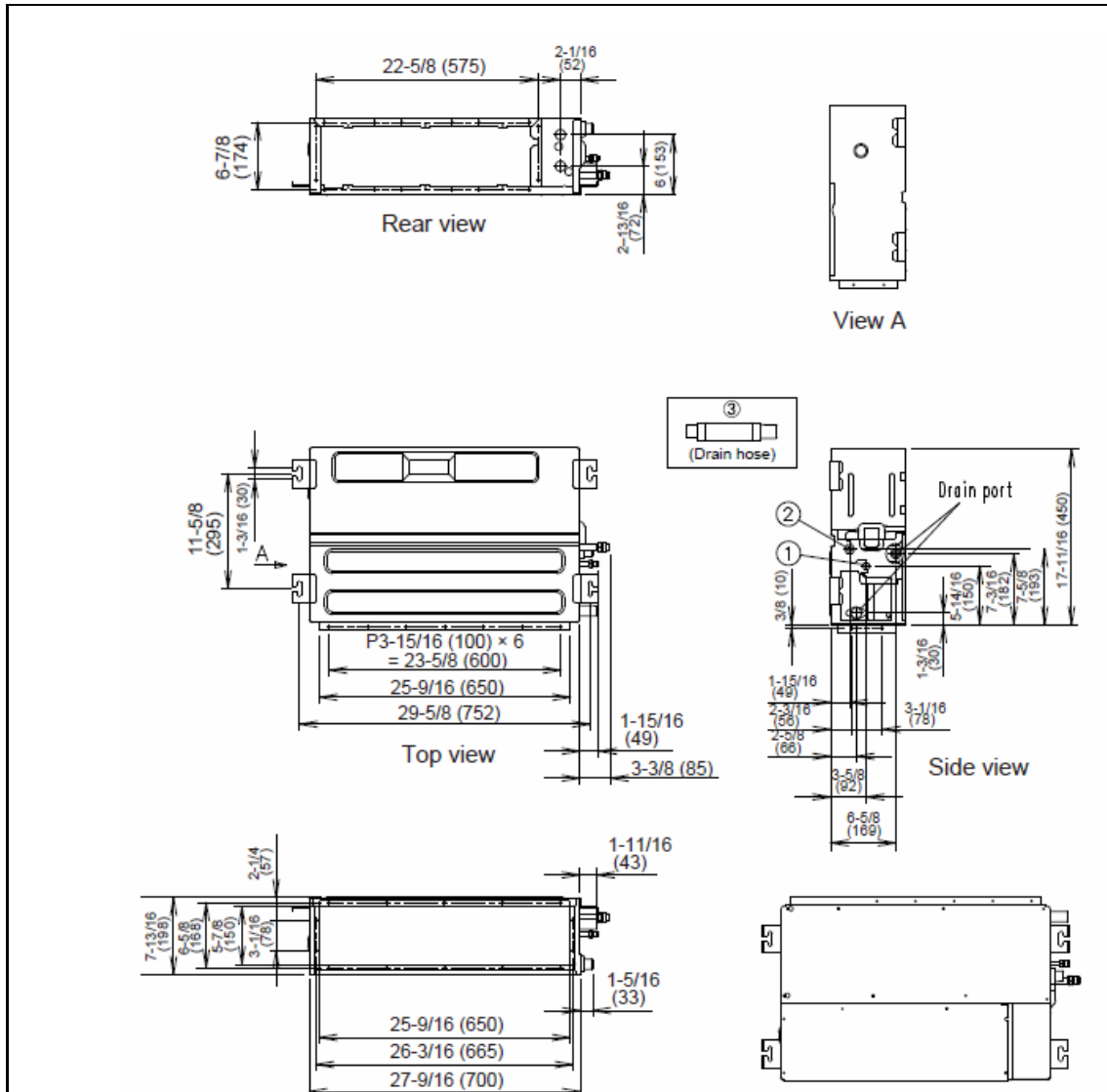


Fujitsu General America, Inc.
 353 Route 46 West
 Fairfield, NJ 07004
 Toll Free: (888) 888-3424
 Fax: (973) 836-0453
 www.airstagevrf.com

Slim Duct (4000 BTU) Indoor Unit
For Heat-recovery/Heat-pump Airstage VRF System

DIMENSIONS

Unit: In. (mm)



Fujitsu General America, Inc.
 353 Route 46 West
 Fairfield, NJ 07004
 Toll Free: (888) 888-3424
 Fax: (973) 836-0453
 www.airstagevrf.com