

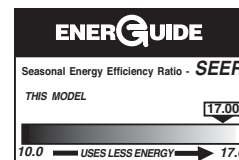
# FUJITSU



## FO\*17C SERIES

Efficiencies up to 17 SEER/13 EER  
 Nominal Sizes 2, 3, 4 & 5 Ton  
 [7.03, 10.6, 14.06 & 17.6 kW]  
 Cooling Capacities 17.3 to 60.5 kBtu  
 [5.7 to 17.7 kW]

Manufactured for  
**Fujitsu General America, Inc.**  
 Fairfield, NJ



## TWO-STAGE AIR CONDITIONERS

### Features

- New composite base pan – dampens sound, wire grille, eliminates corrosion and reduces number of fasteners needed
- Powder coat paint system – for a long lasting professional finish
- The Two Stage Copeland Scroll™ UltraTech™ Compressor modulates between two capacity settings – 67% and 100% – providing more precise temperature control, lower humidity and greater efficiency in comparison to single stage compressors. It uses 70% fewer moving parts which also increases efficiency and reliability.
- Modern cabinet aesthetics – increased curb appeal with visually appealing design
- Wire grille – provide ultimate coil protection, enhance cabinet strength, and increased cabinet rigidity
- Optimized fan orifice – optimizes airflow and reduces unit sound
- Rust resistant screws – confirmed through 1500-hour salt spray testing
- Service valve has between 3"-4"-5" valve space – provides a minimum working area of 27-square inches for easier access
- 15" wide, industry leading corner service access – makes repairs easier and faster.
- External gauge port access – allows easy connection of "low-loss" gauge ports
- Single-row condenser coil – makes unit lighter and allows thorough coil cleaning to maintain "out of the box" performance
- Fewer cabinet fasteners – allow for faster access to internal components and hassle-free panel removal
- Service trays – hold fasteners or caps during service calls
- QR code – provides technical information on demand for faster service calls
- Fan motor harness with extra long wires allows unit top to be removed without disconnecting fan wire.
- High and low pressure standard on all models.

*"Proper sizing and installation of equipment is critical to achieve optimal performance. Split system air conditioners and heat pumps must be matched with appropriate coil components to meet Energy Star. Ask your Contractor for details or visit [www.energystar.gov](http://www.energystar.gov)."*

## TABLE OF CONTENTS

Model Number Identification .....	3
Available SKUs .....	3
General Data/Electrical Data .....	4
Accessories .....	5
Smart Home Systems .....	6
Unit Dimensions.....	7
Clearances.....	8
Wiring Diagrams .....	9
Application Guidelines.....	9
Refrigerant Line Size Information.....	10-11
Performance Data .....	12-14
Guide Specifications .....	15
Limited Warranty .....	16

# Air Conditioners\*

<u>FO</u>	<u>24</u>	<u>17</u>	<u>C</u>	<u>I</u>	<u>J</u>	<u>C</u>	<u>B</u>	<u>A</u>
Brand	Capacity	SEER	Type	Speed	Volt	Communication	Pressure	Series
Fujitsu	24 = 24,000 36 = 36,000 48 = 48,000 60 = 60,000	17 = 17 SEER 20 = 20 SEER	C = AC	T = Two/Three Stage	J = 208/230 1ph	C = Communicating	B = With switch	A = No pressure switch

[ ] Designates Metric Conversions

## Available SKUs

Available Models
F02417CTJCBA
F03617CTJCBA
F04817CTJCBA
F06017CTJCBA

<b>Physical Data</b>				
<b>Model No.</b>	<b>F02417</b>	<b>F03617</b>	<b>F04817</b>	<b>F06017</b>
<b>Nominal Tonnage</b>	2.0	3.0	4.0	5.0
<b>Valve Connections</b>				
Liquid Line O.D. – in.	3/8	3/8	3/8	3/8
Suction Line O.D. – in.	3/4	3/4	7/8	7/8
<b>Refrigerant (R-410A) furnished oz.<sup>1</sup></b>	128	151	204	223
<b>Compressor Type</b>	Scroll			
<b>Outdoor Coil</b>				
Net face area – Outer Coil	19.8	22.2	32.3	32.3
Net face area – Inner Coil	—	—	—	—
Tube diameter – in.	0.375	0.375	0.375	0.375
Number of rows	1	1	1	1
Fins per inch	20	22	22	22
<b>Outdoor Fan</b>				
Diameter – in.	24	24	26	26
Number of blades	3	3	3	3
Motor hp	1/5	1/5	1/2	1/2
CFM	3326	3540	4251	5133
RPM	850	820	646	825
watts	112	112	132	113
<b>Shipping weight – lbs.</b>	200	209	297	298
<b>Operating weight – lbs.</b>	193	202	290	291
<b>Electrical Data</b>				
<b>Line Voltage Data (Volts-Phase-Hz)</b>	<b>208/230-1-60</b>	<b>208/230-1-60</b>	<b>208/230-1-60</b>	<b>208/230-1-60</b>
<b>Maximum overcurrent protection (amps)<sup>2</sup></b>	25	35	50	70
<b>Minimum circuit ampacity<sup>3</sup></b>	16	21	32	42
<b>Compressor</b>				
Rated load amps	11.7	15.3	21.2	28.8
Locked rotor amps	58.3	83	104	152.9
<b>Condenser Fan Motor</b>				
Full load amps	1.4	1.2	5.3	5.3
Locked rotor amps	—	—	—	—

<sup>1</sup>Refrigerant charge sufficient for 15 ft. length of refrigerant lines. For longer line set requirements see the installation instructions for information about set length and additional refrigerant charge required.

<sup>2</sup>HACR type circuit breaker or fuse.

<sup>3</sup>Refer to National Electrical Code manual to determine wire, fuse and disconnect size requirements.

## Accessories

Model No.		F02417	F03617	F04817	F06017
Compressor crankcase heater*		44-17402-49	44-17402-49	44-101884-05	44-101884-05
Low ambient control		RXAD-A08	RXAD-A08	RXAD-A08	RXAD-A08
Freeze Stat		50313	50313	50313	50313
Compressor sound cover		68-23427-26	68-23427-26	68-25217-10	68-25217-10
Compressor hard start kit		SK-A1	SK-A1	SK-A1	SK-A1
Heat pump Riser 6 in.		686020	686020	686020	686020
Liquid Line Solenoid (24 VAC, 50/60 Hz)	Solenoid Valve	200RD2T3TVLC	200RD2T3TVLC	200RD3T3TVLC	200RD3T3TVLC
	Solenoid Coil	61-AMG24V	61-AMG24V	61-AMG24V	61-AMG24V
Top cap with label		91-101123-31	91-101123-31	91-101123-31	91-101123-31
Liquid Line Solenoid (120/240 VAC, 50/60 Hz)	Solenoid Valve	200RD2T3TVLC	200RD2T3TVLC	200RD3T3TVLC	200RD3T3TVLC
	Solenoid Coil	61-AMG120/240V	61-AMG120/240V	61-AMG120/240V	61-AMG120/240V

\*Crankcase Heater recommended with Low Ambient Kit.

## Integrated Controls



EcoNet is smart technology that allows Heating, Cooling, and Water Heating products to communicate with each other on one integrated network.

### Easy to Setup, Easy to Use, Easy to Save

- Optimized for Installability™, Performance, Integration & Serviceability
- Controls 65%† or more of a typical home's energy use from a single device
- Can reduce energy costs by up to 30%††

### Features

- Added support for new EEV (Electronic Expansion Valve) Air Handlers, Air Conditioners and Heat Pumps\*
- Rapid installation with standard 4-wire configuration
- Automatically configures communicating equipment with optimal settings
- Adapts to home décor through interchangeable faceplates and adjustable background coloring
- Full-color, 4.7" LCD touchscreen display with easy-to-read icons and text
- Convenient date, time and indoor/outdoor temperature indications
- 5 operating modes with short-cycle protection (Heat, Cool, Auto, Emergency Heat, Fan Only)

- 7-Day programmable schedule with Smooth Arrival & Whole Home Vacation options
- Detailed operating status, alarm history, and audible alerts
- Supports humidifier accessories or over-cool based dehumidification
- One-touch access to Water Heater Management†††
- Easily manage from anywhere in the world with the compatible WiFi Module & EcoNet app for smart phones and tablets

### Warranty

- 5-Year limited warranty from date of installation

† Source – Department of Energy

†† When compared to non-programmable thermostats. Source: ENERGY STAR® for Programmable Thermostats

††† Requires wired connection to EcoNet Enabled Electric or Hybrid Water Heaters



**EcoNet® Control Center**  
Home control with intuitive LCD touchscreen navigation

FETST601SYS

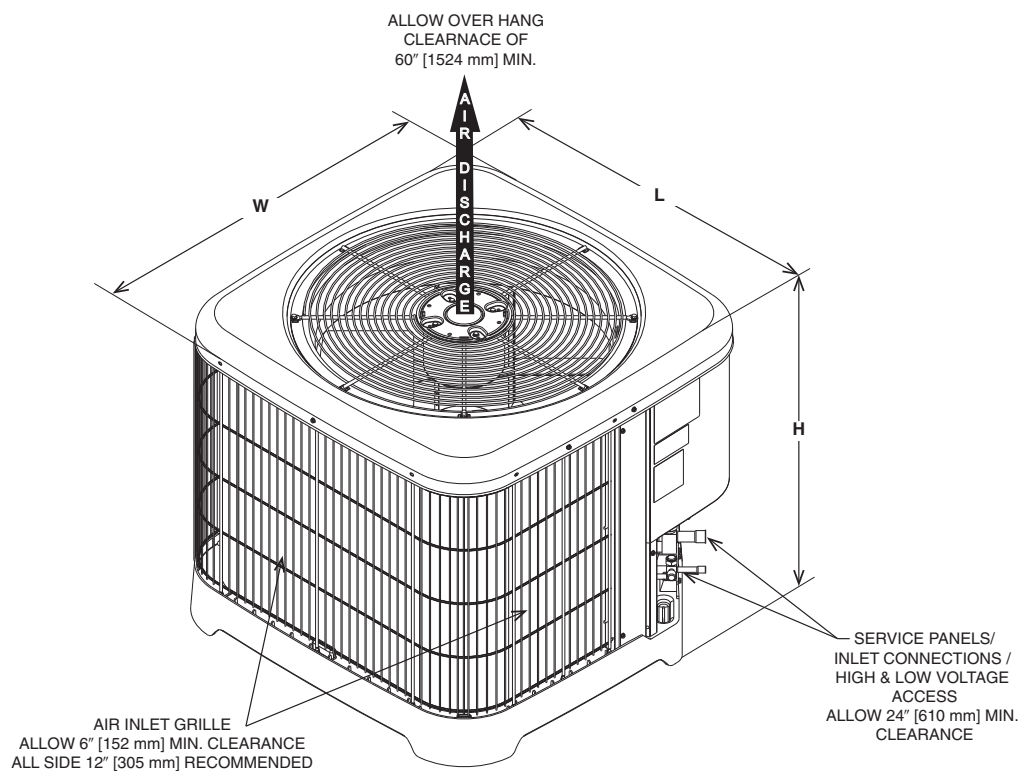
## EcoNet Control Center Compatibility

OFFERINGS	HEATING & COOLING						
Product Categories	Gas Furnaces			Air Handlers		Air Conditioners	
Models	FF***LT97	FF***LT96	FF***LT80	FH**ELV	FF***TTT	FO*20C	FO*17C
FETST601SYS	√	√	√	√	√	√	√

\*\*Electronic Expansion Valve (EEV) Models

## Unit Dimensions

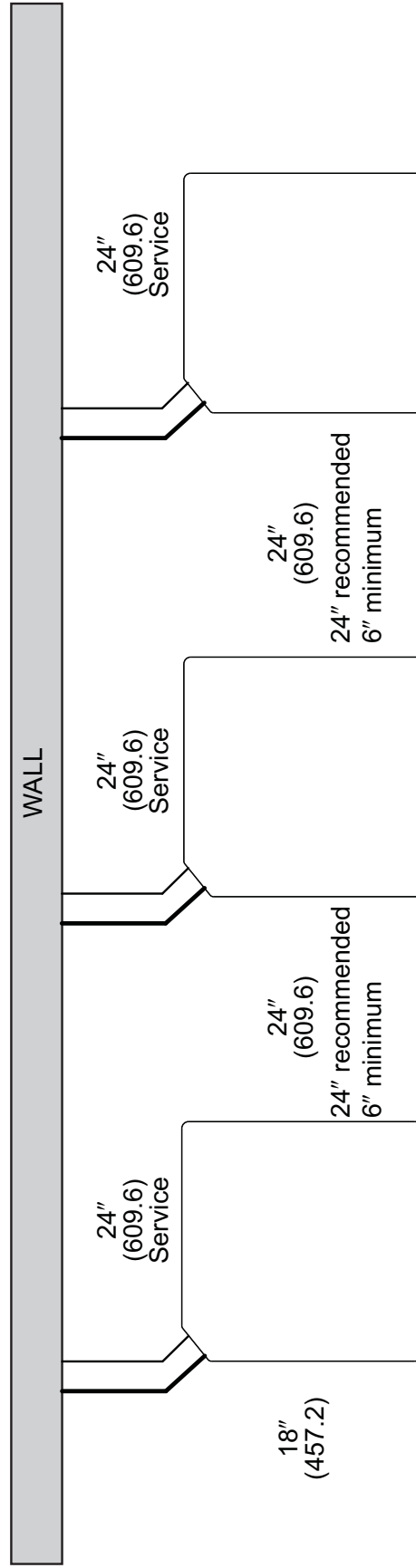
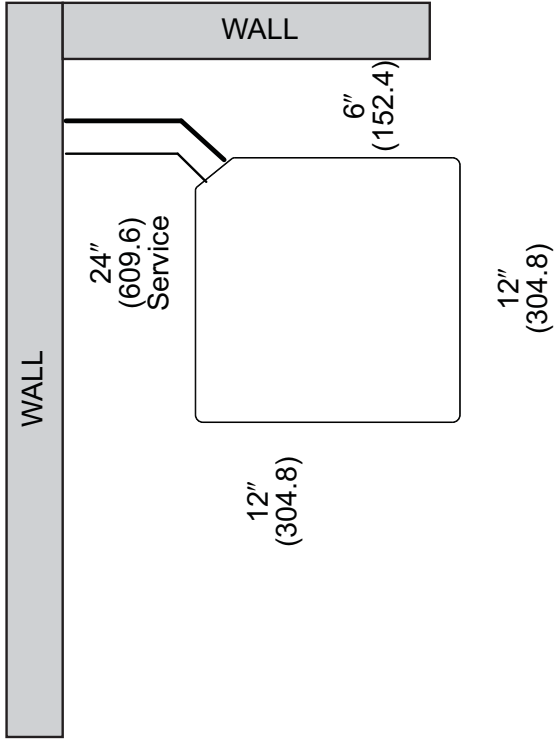
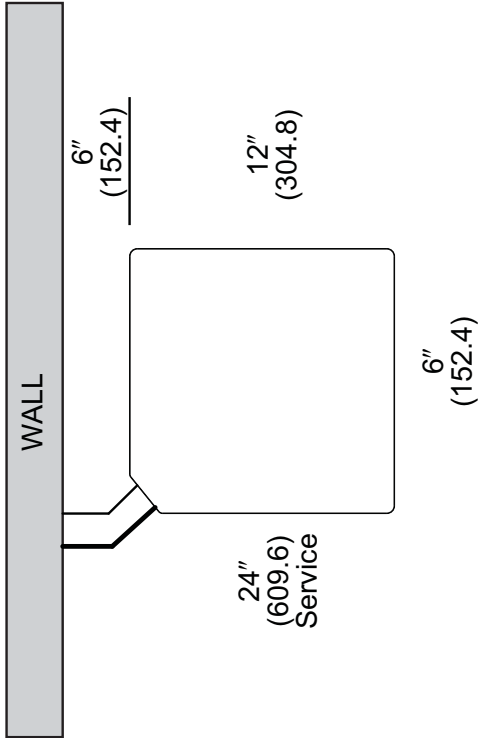
MODEL NO.	OPERATING						SHIPPING					
	H (Height)		L (Length)		W (Width)		H (Height)		L (Length)		W (Width)	
	INCHES	mm	INCHES	mm	INCHES	mm	INCHES	mm	INCHES	mm	INCHES	mm
FO2417	35	889	33.75	857	33.75	857	36.75	933	36.38	924	36.38	924
FO3617	39	990	33.75	857	33.75	857	40.75	1035	36.38	924	36.38	924
FO4817	51	1295	35.75	908	35.75	908	52.75	1339	38.38	974	38.38	974
FO6017	51	1295	35.75	908	35.75	908	52.75	1339	38.38	974	38.38	974



[ ] Designates Metric Conversions

ST-A1226-24-00

# CLEARANCES



**NOTE: NUMBERS IN ( ) = mm**

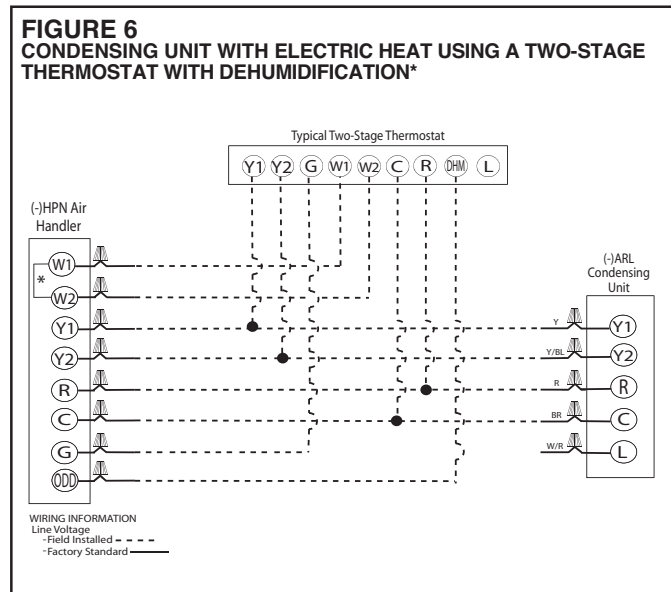
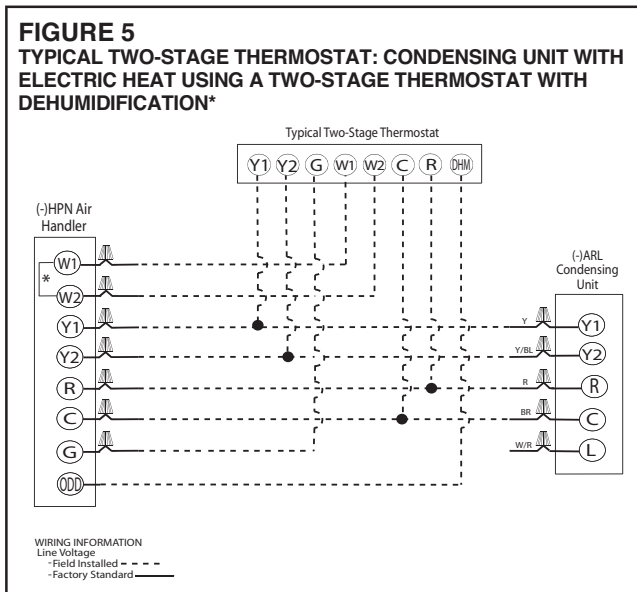
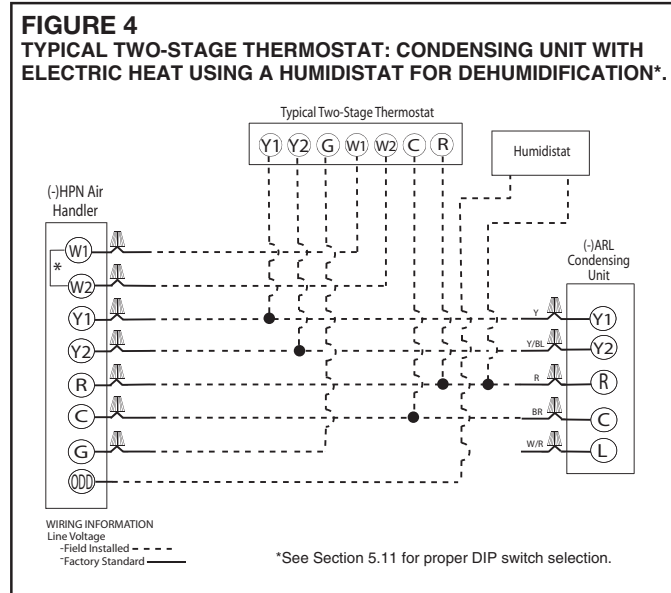
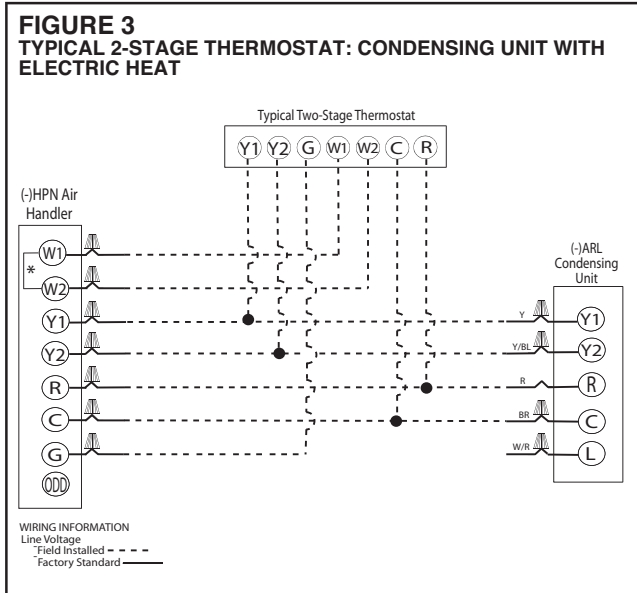
IMPORTANT: When installing multiple units in an alcove, roof well or partially enclosed area, ensure there is adequate ventilation to prevent re-circulation of discharge air.



## Thermostat Wiring Diagrams

The following figures show the typical wiring diagrams with (-)HPN air handler and (-)ARL condensing unit. Cooling and heat pump airflows may need to be adjusted for homeowner comfort once the system is operational.

WIRE COLOR CODE			
BK – BLACK	G – GREEN	PR – PURPLE	Y – YELLOW
BR – BROWN	GY – GRAY	R – RED	
BL – BLUE	O – ORANGE	W – WHITE	



\*If maximum outlet temperature rise is desired, it is recommended that W1 and W2 be jumpered together.

## Application Guidelines

1. Intended for outdoor installation with free air inlet and outlet. Outdoor fan external static pressure available is less than 0.01 -in. wc.
2. Minimum outdoor operation air temperature for cooling mode without low-ambient operation accessory is 55°F (12.8°C).
3. Maximum outdoor operating air temperature is 125°F (51.7°C).
4. For reliable operation, unit should be level in all horizontal planes.
5. Use only copper wire for electric connections at unit. Aluminum and clad aluminum are not acceptable for the type of connector provided.
6. Do not apply capillary tube indoor coils to these units.
7. Factory – supplied filter drier must be installed.

Conventional Thermostat Wiring

**Refrigerant Line Size Information**

R-410A System Capacity Model	Liquid Line Size Connection Size (Inch I.D.) (mm)	Liquid Line Size (Inch O.D.) (mm)	Liquid Line Selection Chart Elevation (Above or Below) Indoor Coil Total Equivalent Length - Feet [m]																	
			25 [7.62]	50 [15.24]	75 [22.86]	100 [30.48]	125 [45.72]	150 [45.72]	175 [53.34]	200 [60.96]	225 [68.58]	250 [76.20]	275 [83.82]	300 [91.44]	Maximum Vertical Separation – Feet [m]					
			25 [7.62]	45 [13.72]	20 [6.1]	N/R	N/R	65 [19.81]	55 [16.76]	50 [15.24]	45 [13.72]	40 [12.19]	30 [9.14]	25 [7.62]	N/R	N/R	N/R	N/R	N/R	N/R
24	3/8" [9.53]	1/4 [6.35]	25 [7.62]	45 [13.72]	20 [6.1]	N/R	N/R	65 [19.81]	55 [16.76]	50 [15.24]	45 [13.72]	40 [12.19]	30 [9.14]	25 [7.62]	N/R	N/R	N/R	N/R		
		5/16 [7.94]	25 [7.62]	50 [15.24]	75 [22.86]	70 [21.34]	85 [25.91]	80 [24.38]	80 [24.38]	80 [24.38]	85 [25.91]	90 [27.43]	90 [27.43]	90 [27.43]	90 [27.43]	90 [27.43]	90 [27.43]	90 [27.43]	90 [27.43]	
		3/8 [9.53]	25 [7.62]	50 [15.24]	75 [22.86]	85 [25.91]	85 [25.91]	90 [27.43]	90 [27.43]	90 [27.43]	90 [27.43]	90 [27.43]	90 [27.43]	90 [27.43]	90 [27.43]	90 [27.43]	90 [27.43]	90 [27.43]	90 [27.43]	
		7/16 [11.12]	25 [7.62]	50 [15.24]	75 [22.86]	90 [27.43]	90 [27.43]	90 [27.43]	90 [27.43]	90 [27.43]	90 [27.43]	90 [27.43]	90 [27.43]	90 [27.43]	90 [27.43]	90 [27.43]	90 [27.43]	90 [27.43]	90 [27.43]	
		1/2 [12.71]	25 [7.62]	50 [15.24]	75 [22.86]	95 [28.96]	95 [28.96]	95 [28.96]	95 [28.96]	95 [28.96]	95 [28.96]	95 [28.96]	95 [28.96]	95 [28.96]	95 [28.96]	95 [28.96]	95 [28.96]	95 [28.96]	95 [28.96]	
		1/4 [6.35]	25 [7.62]	N/R	N/R	N/R	N/R	N/R	N/R	N/R	N/R	N/R	N/R	N/R	N/R	N/R	N/R	N/R	N/R	N/R
36	3/8" [9.53]	5/16 [7.94]	25 [7.62]	50 [15.24]	45 [13.72]	35 [10.67]	20 [6.1]	5 [1.52]	N/R	N/R	50 [15.24]	55 [16.76]	60 [18.29]	60 [18.29]	60 [18.29]	60 [18.29]	60 [18.29]	60 [18.29]		
		3/8 [9.53]	25 [7.62]	50 [15.24]	70 [21.34]	65 [19.81]	60 [18.29]	60 [18.29]	60 [18.29]	60 [18.29]	60 [18.29]	60 [18.29]	60 [18.29]	60 [18.29]	60 [18.29]	60 [18.29]	60 [18.29]	60 [18.29]	60 [18.29]	
		7/16 [11.12]	25 [7.62]	50 [15.24]	75 [22.86]	75 [22.86]	75 [22.86]	75 [22.86]	75 [22.86]	75 [22.86]	75 [22.86]	75 [22.86]	75 [22.86]	75 [22.86]	75 [22.86]	75 [22.86]	75 [22.86]	75 [22.86]	75 [22.86]	
		1/2 [12.71]	25 [7.62]	50 [15.24]	75 [22.86]	80 [24.38]	80 [24.38]	80 [24.38]	80 [24.38]	80 [24.38]	80 [24.38]	80 [24.38]	80 [24.38]	80 [24.38]	80 [24.38]	80 [24.38]	80 [24.38]	80 [24.38]	80 [24.38]	
		1/4 [6.35]	N/R	N/R	N/R	N/R	N/R	N/R	N/R	N/R	N/R	N/R	N/R	N/R	N/R	N/R	N/R	N/R	N/R	N/R
		5/16 [7.94]	25 [7.62]	50 [15.24]	25 [7.62]	N/R	N/R	N/R	N/R	N/R	N/R	N/R	N/R	N/R	N/R	N/R	N/R	N/R	N/R	N/R
48	3/8" [9.53]	3/8 [9.53]	25 [7.62]	50 [15.24]	70 [21.34]	60 [18.29]	55 [16.76]	45 [13.72]	40 [12.19]	30 [9.14]	25 [7.62]	15 [4.57]	10 [3.05]	N/R	N/R	N/R	N/R	N/R		
		7/16 [11.12]	25 [7.62]	50 [15.24]	75 [22.86]	80 [24.38]	80 [24.38]	80 [24.38]	80 [24.38]	80 [24.38]	80 [24.38]	80 [24.38]	80 [24.38]	80 [24.38]	80 [24.38]	80 [24.38]	80 [24.38]	80 [24.38]	80 [24.38]	
		1/2 [12.71]	25 [7.62]	50 [15.24]	75 [22.86]	85 [25.91]	85 [25.91]	85 [25.91]	85 [25.91]	85 [25.91]	85 [25.91]	85 [25.91]	85 [25.91]	85 [25.91]	85 [25.91]	85 [25.91]	85 [25.91]	85 [25.91]	85 [25.91]	
		1/4 [6.35]	N/R	N/R	N/R	N/R	N/R	N/R	N/R	N/R	N/R	N/R	N/R	N/R	N/R	N/R	N/R	N/R	N/R	N/R
		5/16 [7.94]	25 [7.62]	30 [9.14]	N/R	N/R	N/R	N/R	N/R	N/R	N/R	N/R	N/R	N/R	N/R	N/R	N/R	N/R	N/R	N/R
		3/8 [9.53]	25 [7.62]	50 [15.24]	55 [16.76]	45 [13.72]	35 [10.67]	25 [7.62]	15 [4.57]	5 [1.52]	N/R	N/R	N/R	N/R	N/R	N/R	N/R	N/R	N/R	N/R
60	3/8" [9.53]	7/16 [11.12]	25 [7.62]	50 [15.24]	75 [22.86]	70 [21.34]	65 [19.81]	60 [18.29]	55 [16.76]	50 [15.24]	45 [13.72]	40 [12.19]	35 [10.67]	30 [9.14]	25 [7.62]	20 [6.1]	15 [4.57]	10 [3.05]		
		1/2 [12.71]	25 [7.62]	50 [15.24]	75 [22.86]	80 [24.38]	80 [24.38]	80 [24.38]	80 [24.38]	80 [24.38]	80 [24.38]	80 [24.38]	80 [24.38]	80 [24.38]	80 [24.38]	80 [24.38]	80 [24.38]	80 [24.38]	80 [24.38]	
		1/4 [6.35]	N/R	N/R	N/R	N/R	N/R	N/R	N/R	N/R	N/R	N/R	N/R	N/R	N/R	N/R	N/R	N/R	N/R	N/R
		5/16 [7.94]	25 [7.62]	30 [9.14]	N/R	N/R	N/R	N/R	N/R	N/R	N/R	N/R	N/R	N/R	N/R	N/R	N/R	N/R	N/R	N/R
		3/8 [9.53]	25 [7.62]	50 [15.24]	55 [16.76]	45 [13.72]	35 [10.67]	25 [7.62]	15 [4.57]	5 [1.52]	N/R	N/R	N/R	N/R	N/R	N/R	N/R	N/R	N/R	N/R
		7/16 [11.12]	25 [7.62]	50 [15.24]	75 [22.86]	70 [21.34]	65 [19.81]	60 [18.29]	55 [16.76]	50 [15.24]	45 [13.72]	40 [12.19]	35 [10.67]	30 [9.14]	25 [7.62]	20 [6.1]	15 [4.57]	10 [3.05]	5 [1.52]	0 [0]

**NOTES:**

N/R = Application not recommended.

Grey = This application is acceptable, but the long line guidelines must be followed. Reference Long Line Set section in the I&O

[ ] Designates Metric Conversions

## Refrigerant Line Size Information (con't.)

R-410A System Capacity Model	Vapor Line Connection Size (Inch I.D.) [mm]	Vapor Line Size (Inch O.D.) [mm]	Vapor Line Selection Chart Capacity Multiplier Table															
			Total Equivalent Length - Feet [m]															
			25 [7.62]	50 [15.24]	75 [22.86]	100 [30.48]	125 [45.72]	150 [45.72]	175 [53.34]	200 [60.96]	225 [68.58]	250 [76.20]	275 [83.82]	300 [91.44]				
24	3/4" [19.06]	5/8 [15.88]	0.99	1.00	0.97	0.98	0.98	0.98	0.96	0.96	0.95	0.94	0.94	0.95	0.94	0.94	0.93	
		3/4 [19.05]	1.00	1.00	0.99	0.99	0.98	1.00	0.99	1.00	0.99	0.99	0.99	0.99	0.97	0.98	0.98	0.98
		7/8 [22.23]	1.01	1.01	1.00	1.00	1.00	0.99	0.99	0.99	0.99	0.99	0.99	0.99	0.99	0.99	0.99	0.99
		1 [25.4]	N/R	N/R	N/R	N/R	N/R	N/R	N/R	N/R	N/R	N/R	N/R	N/R	N/R	N/R	N/R	N/R
		1-1/8 [28.58]	N/R	N/R	N/R	N/R	N/R	N/R	N/R	N/R	N/R	N/R	N/R	N/R	N/R	N/R	N/R	N/R
36	3/4" [19.06]	5/8 [15.88]	0.99	0.98	0.97	0.95	0.95	0.93	0.93	0.91	0.91	0.90	0.87	0.88	0.87	0.87	0.86	
		3/4 [19.05]	1.00	0.99	0.99	0.99	0.98	0.98	0.98	0.97	0.97	0.96	0.96	0.96	0.96	0.95	0.95	
		7/8 [22.23]	1.01	1.00	1.00	1.00	0.99	0.99	0.99	0.99	0.99	0.99	0.99	0.99	0.99	0.99	0.99	
		1 [25.4]	1.01	1.01	1.01	1.00	1.00	1.00	1.00	1.00	1.00	1.00	1.00	1.00	1.00	1.00	1.00	1.00
		1-1/8 [28.58]	N/R	N/R	N/R	N/R	N/R	N/R	N/R	N/R	N/R	N/R	N/R	N/R	N/R	N/R	N/R	N/R
48	3/4" [19.06]	5/8 [15.88]	0.97	0.96	0.93	0.91	0.89	0.88	0.88	0.87	0.85	0.83	0.82	0.82	0.82	0.82	N/R	
		3/4 [19.05]	0.99	0.98	0.98	0.96	0.96	0.95	0.95	0.94	0.94	0.93	0.92	0.92	0.92	0.92	N/R	
		7/8 [22.23]	1.00	1.00	0.99	0.99	0.98	0.98	0.98	0.98	0.98	0.97	0.97	0.96	0.96	0.96	N/R	
		1 [25.4]	N/R	N/R	N/R	N/R	N/R	N/R	N/R	N/R	N/R	N/R	N/R	N/R	N/R	N/R	N/R	
		1-1/8 [28.58]	N/R	N/R	N/R	N/R	N/R	N/R	N/R	N/R	N/R	N/R	N/R	N/R	N/R	N/R	N/R	
60	3/4" [19.06]	5/8 [15.88]	0.96	0.93	0.91	0.88	0.86	0.84	0.84	0.83	0.83	N/R	N/R	N/R	N/R	N/R	N/R	
		3/4 [19.05]	0.99	0.97	0.96	0.95	0.94	0.93	0.93	0.92	0.91	N/R	N/R	N/R	N/R	N/R	N/R	
		7/8 [22.23]	1.00	0.99	0.98	0.98	0.97	0.97	0.96	0.96	0.96	N/R	N/R	N/R	N/R	N/R	N/R	
		1 [25.4]	N/R	N/R	N/R	N/R	N/R	N/R	N/R	N/R	N/R	N/R	N/R	N/R	N/R	N/R	N/R	
		1-1/8 [28.58]	N/R	N/R	N/R	N/R	N/R	N/R	N/R	N/R	N/R	N/R	N/R	N/R	N/R	N/R	N/R	

**NOTE:**

N/R = Application not recommended.  
All calculations assume a 3/8" liquid line

[ ] Designates Metric Conversions

## Performance Data @ AHRI Standard Conditions – Cooling

**Note:** Ratings contained in this document are subject to change. For up-to-date and expanded ratings, please visit the AHRI web site ([www.ahridirectory.org](http://www.ahridirectory.org)).

FF***LT80 Ratings								
Outdoor Unit	Furnace	Indoor Coil	Total Capacity BTU/H [kW]	Net Sensible BTU/H [kW]	Net Latent BTU/H [kW]	SEER	EER	Indoor CFM [L/s]
FO2417CTJ	FF50173LT80M	FCC2417ESA	24000 [7.0]	13800 [4.0]	6900 [2.0]	17.00	13.00	725 [342.2]
		FCC2421EMA	24000 [7.0]	13800 [4.0]	6900 [2.0]	17.00	13.00	725 [342.2]
FO2417CTJ	FF75173LT80M	FCC2417ESA	24000 [7.0]	13800 [4.0]	6900 [2.0]	17.00	13.00	675 [318.6]
		FCC2421EMA	24000 [7.0]	13800 [4.0]	6900 [2.0]	17.00	13.00	675 [318.6]
FO2417CTJ	FF75173LT80D	FCC2417ESA	24000 [7.0]	13800 [4.0]	6900 [2.0]	17.00	13.00	725 [342.2]
FO2417CTJ	FF75214LT80M	FCC2421EMA	24000 [7.0]	12100 [3.5]	6900 [2.0]	16.50	13.00	825 [389.4]
FO2417CTJ	FF75214LT80D	FCC2417ESA	24000 [7.0]	14700 [4.3]	6900 [2.0]	17.00	13.00	875 [413.0]
		FCC2421EMA	24000 [7.0]	14700 [4.3]	6900 [2.0]	17.00	13.00	875 [413.0]
FO2417CTJ	FF100215LT80M	FCC2417ESA	24000 [7.0]	12200 [3.6]	6900 [2.0]	16.50	13.00	825 [389.4]
		FCC2421EMA	36000 [10.6]	12100 [3.5]	6900 [2.0]	16.50	13.00	825 [389.4]
FO3617CTJ	FF50173LT80M	FCC6021ESA	36000 [10.6]	19700 [5.8]	10000 [2.9]	17.00	13.00	1050 [495.5]
FO3617CTJ	FF75173LT80M	FCC6021ESA	36000 [10.6]	20100 [5.9]	10000 [2.9]	17.00	13.00	1075 [507.3]
FO3617CTJ	FF75173LT80D	FCC6021ESA	36000 [10.6]	19900 [5.8]	10000 [2.9]	17.00	13.00	1075 [507.3]
		FCC6024EMA	36000 [10.6]	20200 [5.9]	10000 [2.9]	17.00	13.00	1075 [507.3]
FO3617CTJ	FF75214LT80D	FCC6021ESA	36000 [10.6]	19900 [5.8]	10000 [2.9]	17.00	13.00	1075 [507.3]
FO3617CTJ	FF100215LT80M	FCC6021ESA	36000 [10.6]	19400 [5.7]	10000 [2.9]	17.00	13.00	1025 [483.7]
		FCC6024EMA	36000 [10.6]	19700 [5.8]	10000 [2.9]	17.00	13.00	1025 [483.7]
FO3617CTJ	FF100215LT80D	FCC6021ESA	36000 [10.6]	20700 [6.1]	10000 [2.9]	17.00	13.00	1050 [495.5]

[ ] Designates Metric Conversions

## Performance Data @ AHRI Standard Conditions – Cooling (con't.)

**Note:** Ratings contained in this document are subject to change. For up-to-date and expanded ratings, please visit the AHRI web site ([www.ahridirectory.org](http://www.ahridirectory.org)).

FF***LT80 Ratings								
Outdoor Unit	Furnace	Indoor Coil	Total Capacity BTU/H [kW]	Net Sensible BTU/H [kW]	Net Latent BTU/H [kW]	SEER	EER	Indoor CFM [L/s]
F03617CTJ	FF125245LT80M	FCC6021ESA	36000 [10.6]	20100 [5.9]	10000 [2.9]	17.00	13.00	1050 [495.5]
		FCC6024EMA	36000 [10.6]	20200 [5.9]	10000 [2.9]	17.00	13.00	1050 [495.5]
F03617CTJ	FF125245LT80D	TCF3621MEA	36000 [10.6]	19600 [5.7]	10000 [2.9]	17.00	13.00	1075 [507.3]
		FCC6021ESA	36000 [10.6]	19900 [5.8]	10000 [2.9]	17.00	13.00	1075 [507.3]
		FCC6024EMA	36000 [10.6]	20200 [5.9]	10000 [2.9]	17.00	13.00	1075 [507.3]
F04817CTJ	FF75214LT80M	FCC6021ESA	47000 [13.8]	25500 [7.5]	13000 [3.8]	17.00	13.00	1425 [672.5]
		FCC6024EMA	48000 [14.1]	25300 [7.4]	14500 [4.2]	17.00	13.00	1425 [672.5]
F04817CTJ	FF75214LT80D	FCC6021ESA	47500 [13.9]	26400 [7.7]	12100 [3.5]	17.00	12.50	1550 [731.5]
F04817CTJ	FF100215LT80M	FCC6021ESA	48000 [14.1]	26600 [7.8]	12200 [3.6]	17.00	13.00	1525 [719.7]
		FCC6024EMA	48000 [14.1]	25300 [7.4]	13300 [3.9]	17.00	13.00	1400 [660.7]
F04817CTJ	FF100215LT80D	FCC6021ESA	47000 [13.8]	25600 [7.5]	13100 [3.8]	17.00	13.00	1400 [660.7]
F04817CTJ	FF125245LT80M	FCC6021ESA	48000 [14.1]	26600 [7.8]	12200 [3.6]	17.00	13.00	1525 [719.7]
		FCC6024EMA	48000 [14.1]	25300 [7.4]	13300 [3.9]	17.00	13.00	1400 [660.7]
F04817CTJ	FF125245LT80D	FCC6021ESA	47500 [13.9]	25600 [7.5]	12700 [3.7]	17.00	13.00	1450 [684.3]
		FCC6024EMA	48000 [14.1]	25500 [7.5]	14500 [4.2]	17.00	13.00	1400 [660.7]
F06017CTJ	FF75214LT80M	FCC6021ESA	54000 [15.8]	28300 [8.3]	17100 [5.0]	15.50	12.00	1550 [731.5]
		FCC6024EMA	55000 [16.1]	28400 [8.3]	17700 [5.2]	16.00	12.50	1425 [672.5]
F06017CTJ	FF75214LT80D	FCC6021ESA	54000 [15.8]	28600 [8.4]	16800 [4.9]	15.50	11.70	1600 [755.1]
F06017CTJ	FF100215LT80M	FCC6021ESA	55000 [16.1]	30300 [8.9]	15800 [4.6]	16.00	12.00	1725 [814.1]
		FCC6024EMA	55500 [16.3]	30300 [8.9]	16700 [4.9]	16.00	12.50	1575 [743.3]
F06017CTJ	FF100215LT80D	FCC6021ESA	54000 [15.8]	28400 [8.3]	17100 [5.0]	15.50	12.00	1550 [731.5]
F06017CTJ	FF125245LT80M	FCC6021ESA	55000 [16.1]	30300 [8.9]	15800 [4.6]	16.00	12.00	1725 [814.1]
		FCC6024EMA	55500 [16.3]	30700 [9.0]	16700 [4.9]	16.00	12.50	1575 [743.3]
F06017CTJ	FF125245LT80D	FCC6021ESA	54000 [15.8]	28400 [8.3]	17400 [5.1]	15.50	12.00	1525 [719.7]
		FCC6024EMA	55500 [16.3]	30300 [8.9]	16700 [4.9]	16.00	12.00	1575 [743.3]

[ ] Designates Metric Conversions

## Performance Data @ AHRI Standard Conditions – Cooling

**Note:** Ratings contained in this document are subject to change. For up-to-date and expanded ratings, please visit the AHRI web site ([www.ahridirectory.org](http://www.ahridirectory.org)).

FF***LT96 Ratings								
Outdoor Unit	Furnace	Indoor Coil	Total Capacity BTU/H [kW]	Net Sensible BTU/H [kW]	Net Latent BTU/H [kW]	SEER	EER	Indoor CFM [L/s]
FO2417CTJ	FF40173LT96M	FCC2417ESA	24000 [7.0]	13800 [4.0]	6900 [2.0]	17.00	13.00	675 [318.6]
		FCC2421EMA	24000 [7.0]	13800 [4.0]	6900 [2.0]	17.00	13.00	675 [318.6]
FO2417CTJ	FF60173LT96M	FCC2417ESA	24000 [7.0]	13700 [4.0]	6900 [2.0]	17.00	13.00	700 [330.4]
		FCC2421EMA	24000 [7.0]	14100 [4.1]	6900 [2.0]	17.00	13.00	775 [365.8]
		TCF3621MEA	24000 [7.0]	13700 [4.0]	6900 [2.0]	17.00	13.00	700 [330.4]
FO2417CTJ	FF70173LT96M	FCC2417ESA	24000 [7.0]	13800 [4.0]	6900 [2.0]	17.00	13.00	700 [330.4]
		FCC2421EMA	24000 [7.0]	13800 [4.0]	6900 [2.0]	17.00	13.00	700 [330.4]
FO2417CTJ	FF85215LT96M	FCC2417ESA	24000 [7.0]	12500 [3.7]	6900 [2.0]	16.50	13.00	825 [389.4]
		FCC2421EMA	24000 [7.0]	12500 [3.7]	6900 [2.0]	16.50	13.00	825 [389.4]
FO3617CTJ	FF60173LT96M	FCC6021ESA	36000 [10.6]	19500 [5.7]	10000 [2.9]	17.00	13.00	1050 [495.5]
FO3617CTJ	FF70173LT96M	FCC6021ESA	36000 [10.6]	19900 [5.8]	10000 [2.9]	17.00	13.00	1050 [495.5]
FO3617CTJ	FF85215LT96M	FCC6021ESA	36000 [10.6]	19900 [5.8]	10000 [2.9]	17.00	13.00	1075 [507.3]
FO3617CTJ	FF100215LT96M	FCC6021ESA	36000 [10.6]	19900 [5.8]	10000 [2.9]	17.00	13.00	1050 [495.5]
FO3617CTJ	FF115245LT96M	FCC6021ESA	36000 [10.6]	19700 [5.8]	10000 [2.9]	17.00	13.00	1050 [495.5]
		FCC6024EMA	36000 [10.6]	20000 [5.9]	10000 [2.9]	17.00	13.00	1050 [495.5]
FO4817CTJ	FF85215LT96M	FCC6021ESA	47500 [13.9]	26400 [7.7]	12100 [3.5]	17.00	12.50	1550 [731.5]
FO4817CTJ	FF100215LT96M	FCC6021ESA	47500 [13.9]	26500 [7.8]	12100 [3.5]	17.00	12.50	1550 [731.5]
FO4817CTJ	FF115245LT96M	FCC6021ESA	47000 [13.8]	25800 [7.6]	13100 [3.8]	17.00	13.00	1400 [660.7]
		FCC6024EMA	48000 [14.1]	25500 [7.5]	13300 [3.9]	17.00	13.00	1400 [660.7]
FO6017CTJ	FF85215LT96M	FCC6021ESA	53500 [15.7]	27800 [8.1]	17100 [5.0]	15.50	11.70	1550 [731.5]
FO6017CTJ	FF100215LT96M	FCC6021ESA	53000 [15.5]	27400 [8.0]	18200 [5.3]	15.50	12.00	1400 [660.7]
FO6017CTJ	FF115245LT96M	FCC6021ESA	54000 [15.8]	29000 [8.5]	17100 [5.0]	16.00	12.00	1575 [743.3]
		FCC6024EMA	54500 [16.0]	29000 [8.5]	17800 [5.2]	16.00	12.50	1400 [660.7]

[ ] Designates Metric Conversions

## GUIDE SPECIFICATIONS

### General

#### System Description

Outdoor-mounted, air-cooled, split-system air conditioner composite base pan unit suitable for ground or rooftop installation. Unit consists of a hermetic compressor, an air-cooled coil, propeller-type condenser fan, suction and legend line service valve, and a control box. Unit will discharge supply air upward as shown on contract drawings. Unit will be used in a refrigeration circuit to match up to a coil unit.

#### Quality Assurance

- Unit will be rated in accordance with the latest edition of AHRI Standard 210.
- Unit will be certified for capacity and efficiency, and listed in the latest AHRI directory.
- Unit construction will comply with latest edition of ANSI/ASHRAE and with NEC.
- Unit will be constructed in accordance with UL standards and will carry the UL label of approval. Unit will have c-UL-us approval.
- Unit cabinet will be capable of withstanding ASTM B117 1000-hr salt spray test.
- Air-cooled condenser coils will be leak tested at 150 psig and pressure tested at 550 psig.
- Unit constructed in ISO9001 approved facility.

#### Delivery, Storage, and Handling

- Unit will be shipped as single package only and is stored and handled per unit manufacturer's recommendations.

**Warranty (for inclusion by specifying engineer)** – U.S. and Canada only.

### Products

#### Equipment

Factory assembled, single piece, air-cooled air conditioner unit. Contained within the unit enclosure is all factory wiring, piping, controls, compressor, refrigerant charge R-410A, and special features required prior to field start-up.

#### Unit Cabinet

- Unit cabinet will be constructed of galvanized steel, bonderized, and coated with a powder coat paint.
- All units constructed with louver coil protection and corner post. Louver can be removed by removing one fastener per louver panel.

### AIR-COOLED, SPLIT-SYSTEM AIR CONDITIONER

#### MLA17

#### 1-1/2 TO 5 NOMINAL TONS

#### Fans

- Condenser fan will be direct-drive propeller type, discharging air upward.
- Condenser fan motors will be totally enclosed, 1-phase type with class B insulation and permanently lubricated bearings. Shafts will be corrosion resistant.
- Fan blades will be statically and dynamically balanced.
- Condenser fan openings will be equipped with coated steel wire safety guards.

#### Compressor

- Compressor will be hermetically sealed.
- Compressor will be mounted on rubber vibration isolators.

#### Condenser Coil

- Condenser coil will be air cooled.
- Coil will be constructed of aluminum fins mechanically bonded to copper tubes.

#### Refrigeration Components

- Refrigeration circuit components will include liquid-line shutoff valve with sweat connections, vapor-line shutoff valve with sweat connections, system charge of R-410A refrigerant, and compressor oil.
- Unit will be equipped with filter drier for R-410A refrigerant for field installation.

#### Operating Characteristics

- The capacity of the unit will meet or exceed \_\_\_\_\_ Btuh at a suction temperature of \_\_\_\_\_ °F/°C. The power consumption at full load will not exceed \_\_\_\_\_ kW.
- Combination of the unit and the evaporator or fan coil unit will have a total net cooling capacity of \_\_\_\_\_ Btuh or greater at conditions of \_\_\_\_\_ CFM entering air temperature at the evaporator at \_\_\_\_\_ °F/°C wet bulb and \_\_\_\_\_ °F/°C dry bulb, and air entering the unit at \_\_\_\_\_ °F/°C.
- The system will have a SEER of \_\_\_\_\_ Btuh/watt or greater at DOE conditions.

#### Electrical Requirements

- Nominal unit electrical characteristics will be \_\_\_\_\_ v, single phase, 60 hz. The unit will be capable of satisfactory operation within voltage limits of \_\_\_\_\_ v to \_\_\_\_\_ v.
- Nominal unit electrical characteristics will be \_\_\_\_\_ v, three phase, 60 hz. The unit will be capable of satisfactory operation within voltage limits of \_\_\_\_\_ v to \_\_\_\_\_ v.
- Unit electrical power will be single point connection.
- Control circuit will be 24v.

#### Special Features

- Refer to section of this literature identifying accessories and descriptions for specific features and available enhancements.

**GENERAL TERMS OF LIMITED WARRANTY\***

*Fujitsu General America, Inc.* will furnish a replacement for any part of this product which fails in normal use and service within the applicable period stated, in accordance with the terms of the limited warranty.

**\*For complete details of the Limited and Conditional Warranties, including applicable terms and conditions, contact your local contractor or the Manufacturer for a copy of the product warranty certificate.**

Unit Replacement .....Five (5) Years  
Parts.....Five (5) Years









---

**Before proceeding with installation, refer to installation instructions packaged with each model, as well as complying with all Federal, State, Provincial, and Local codes, regulations, and practices.**

---

*"In keeping with its policy of continuous progress and product improvement, the right is reserved to make changes without notice."*