

# FUJITSU

## PACKAGE GAS ELECTRIC UNIT



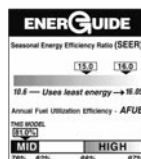
### RGEA14 14 SEER

Nominal Sizes 2-5 Tons [7-17.6 kW]

### RGEA15 15 SEER

Nominal Sizes 2-5 Tons [7-17.6 kW]

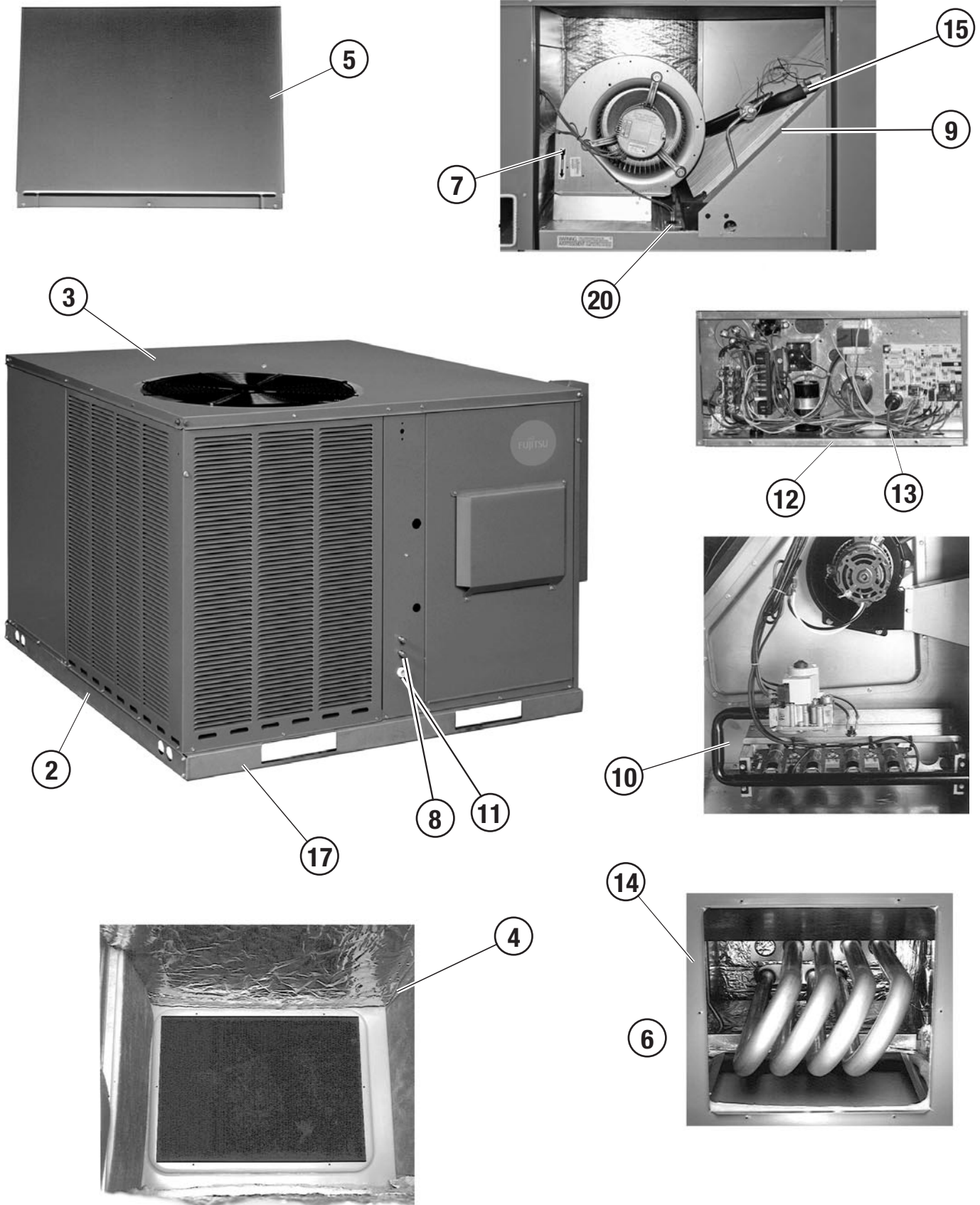
Manufactured for  
**Fujitsu General America, Inc.**  
 Fairfield, NJ



## TABLE OF CONTENTS

Unit Features & Benefits .....	3-4
Model Number Identification .....	5
Available SKUs .....	5
Options .....	6
General Data	
RGEA14- Series .....	7-23
RGEA15- Series .....	24-35
General Data Notes .....	36
Gross Systems Performance Data	
RGEA14- Series .....	37-42
RGEA15- Series .....	43-48
Indoor Airflow Performance	
RGEA14- Series .....	49-54
RGEA15- Series .....	55-58
Electrical Data	
RGEA14- Series .....	59-60
RGEA15- Series .....	61-62
Dimensional Data .....	63-64
Typical Installations .....	65
Accessories .....	66-73
Limited Warranty .....	74

## Package Gas Electric Unit Features:





## RGEA14/15 Series Features Below Correspond to Photos on Page 3

1. All models feature Scroll® compressors for maximum efficiency and quiet operation. 5 Ton RGEA14/15 models feature UltraTech™ Scroll 2-Stage compressors with diagnostics (see below), high/low pressure switches, and hard start kits.
2. Louvered condenser compartment for protecting the coil against yard hazards and/or weather extremes.
3. One-piece top with a drip flange to help keep water out of the unit.
4. Supply and return air openings feature a one-inch tall flange to prevent water migration into the ductwork.
5. Access panels have “weep holes” and channels to further help manage water run-off.
6. Side and down discharge options available on all models. All models are shipped ready for horizontal application.
7. Easily accessible blower section complete with slide-out blower.
8. Refrigerant connections are conveniently located for easy service diagnostics.
9. Micro Channel evaporator and condenser delivers superior performance with less refrigerant charge and less weight than conventional copper tube/aluminum fin coils. In addition the all aluminum construction has superior protection against formicary corrosion and aluminum tube rubbing potential. It is easier to clean and has a more robust surface.
10. Inside the easily accessible furnace compartment is the draft inducer motor. This motor is specially designed for quiet reliable operation. In addition to the draft inducer motor, the in-shot gas burners and manifold efficiently regulate the flow of gas for combustion. These new gas/electric units also feature direct-spark ignition and remote flame sensors for added reliability and efficiency.
11. All units feature an internal trap on the condensate line eliminating the need for installing an on-site external trap.
12. Easily accessible control box.
13. Single point wiring simplifies installation.
14. Our gas/electric package units feature a tubular heat exchanger design. The heat exchanger is backed by a 10 year limited warranty. Models with a stainless steel heat exchanger installed in a residential application are backed by a limited lifetime warranty.
15. Thermal expansion valve standard on all models for superior superheat control, reliability, and energy efficiency at all operating conditions.
16. Filter drier standard on all models (not shown).
17. Rugged baserail included for improved installation and handling
18. Complete factory charged, wired and run tested.
19. Molded compressor plugs.
20. A double sloped evaporator coil drain pan assures all water is removed from the unit to improve indoor air quality.

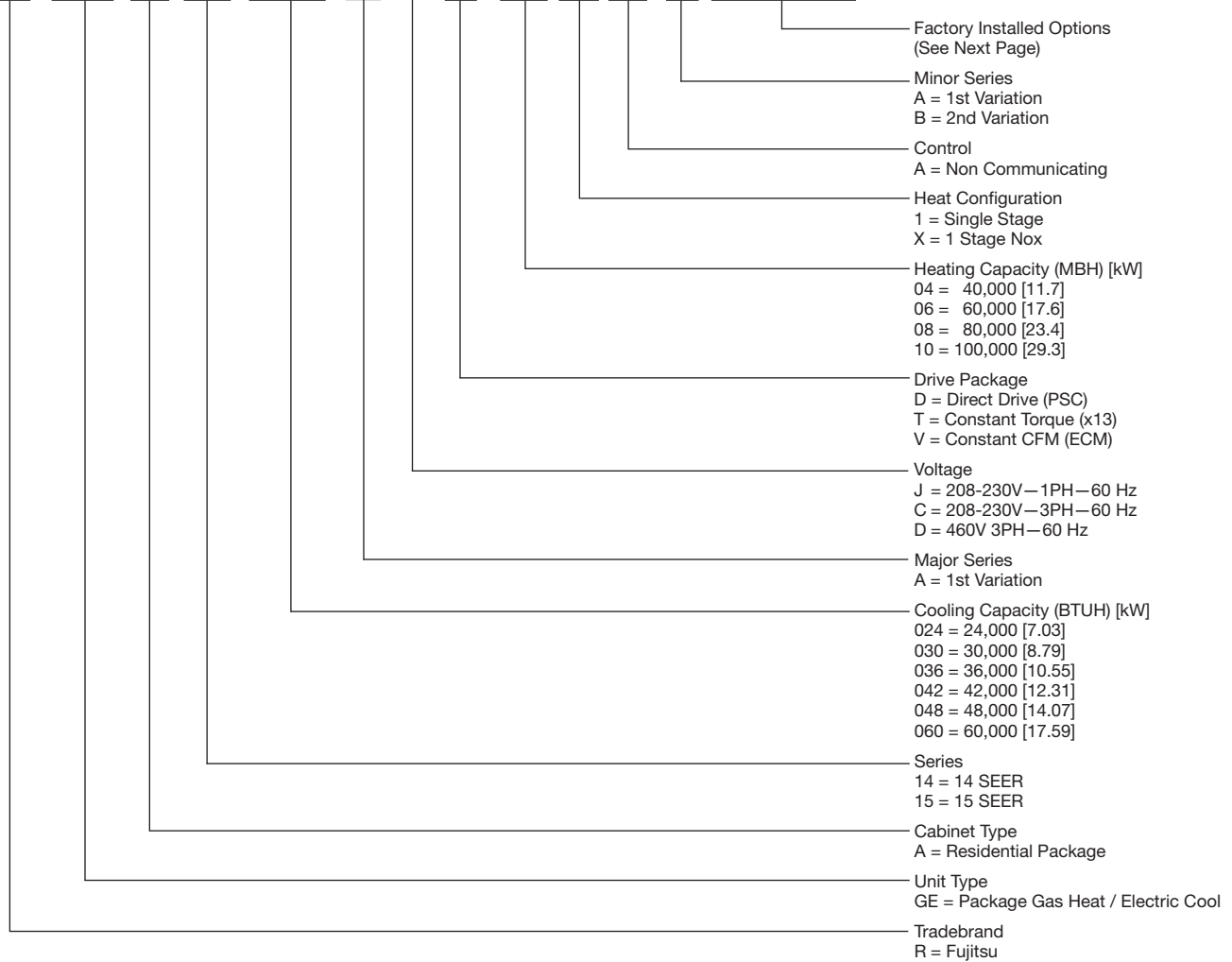
### Diagnosics – Faster Service And Improved Accuracy (2-Stage Models Only)

The diagnostics module is a breakthrough innovation for troubleshooting air conditioning system failures. The module is installed in the control box near the compressor contactor. By monitoring and analyzing data from the Scroll® compressor and the thermostat demand, the module can accurately detect the cause of electrical and system related failures without any sensors. A flashing LED indicator communicates the ALERT code and guides the service technician more quickly and accurately to the root cause of a problem.

**NOTE: Single phase module does not provide active compressors protection! The module is a monitoring device and cannot control or shut down the compressor unless used with a compatible thermostat.**

**NOTE: Three phase module provides compressor protection and will shut down the compressor when compressor damaging conditions are detected.**

# R GE A 14 036 A J D 10 1 A A X X X



[ ] Designates Metric Conversions

## Available SKUs

Available Models					
RGEA14			RGEA15		
RGEA14024AJT061AB	RGEA14036ADD08XAA	RGEA14048ACT081AA	RGEA15024AJV061AB	RGEA15036ADT08XAA	RGEA15042AJV10XAB
RGEA14024AJT06XAB	RGEA14036ADD101AA	RGEA14048ACT08XAA	RGEA15024AJV06XAB	RGEA15036ADT101AA	RGEA15048ACT081AA
RGEA14024AJT081AB	RGEA14036ADD10XAA	RGEA14048ACT101AA	RGEA15024AJV081AB	RGEA15036ADT10XAA	RGEA15048ACT08XAA
RGEA14024AJT08XAB	RGEA14036AJT061AB	RGEA14048ACT10XAA	RGEA15024AJV08XAB	RGEA15036AJV061AB	RGEA15048ACT101AA
RGEA14030AJT061AB	RGEA14036AJT06XAB	RGEA14048ADT101AA	RGEA15030AJV061AB	RGEA15036AJV06XAB	RGEA15048ACT10XAA
RGEA14030AJT06XAB	RGEA14036AJT081AB	RGEA14048ADT10XAA	RGEA15030AJV06XAB	RGEA15036AJV081AB	RGEA15048ADT101AA
RGEA14030AJT081AB	RGEA14036AJT08XAB	RGEA14048AJT081AB	RGEA15030AJV081AB	RGEA15036AJV08XAB	RGEA15048ADT10XAA
RGEA14030AJT08XAB	RGEA14036AJT101AB	RGEA14048AJT08XAB	RGEA15030AJV08XAB	RGEA15036AJV101AB	RGEA15048AJV081AB
RGEA14036ACD061AA	RGEA14036AJT10XAB	RGEA14048AJT101AB	RGEA15036ACT061AA	RGEA15036AJV10XAB	RGEA15048AJV08XAB
RGEA14036ACD06XAA	RGEA14042ACT081AA	RGEA14048AJT10XAB	RGEA15036ACT06XAA	RGEA15042ACT081AA	RGEA15048AJV101AB
RGEA14036ACD081AA	RGEA14042ACT08XAA	RGEA14060ACT101AA	RGEA15036ACT081AA	RGEA15042ACT08XAA	RGEA15048AJV10XAB
RGEA14036ACD08XAA	RGEA14042ACT101AA	RGEA14060ACT10XAA	RGEA15036ACT08XAA	RGEA15042ACT101AA	RGEA15060ACT101AA
RGEA14036ACD101AA	RGEA14042ACT10XAA	RGEA14060ADT101AA	RGEA15036ACT101AA	RGEA15042ACT10XAA	RGEA15060ADT101AA
RGEA14036ACD10XAA	RGEA14042AJT081AB	RGEA14060ADT10XAA	RGEA15036ACT10XAA	RGEA15042AJV081AB	RGEA15060ADT10XAA
RGEA14036ADD061AA	RGEA14042AJT08XAB	RGEA14060AJT101AB	RGEA15036ADT061AA	RGEA15042AJV08XAB	RGEA15060AJV101AB
RGEA14036ADD06XAA	RGEA14042AJT101AB	RGEA14060AJT10XAB	RGEA15036ADT06XAA	RGEA15042AJV101AB	RGEA15060AJV10XAB
RGEA14036ADD081AA	RGEA14042AJT10XAB		RGEA15036ADT081AA		

## Instructions for Factory Installed Option(s) Selection

**Note:** Three characters following the model number will be utilized to designate a factory-installed option or combination of options. If no factory option(s) is required, nothing follows the model number.

After a basic rooftop model is selected, choose a *three-character* option code from the FACTORY INSTALLED OPTION SELECTION TABLE.

### FACTORY INSTALLED OPTION CODES

Option Code	Stainless Steel Heat Exchanger
AJA	X

"X" indicates factory installed option.

Example: No Option

RGEA14036AJD081AA

Example: Option with Stainless Steel Heat Exchanger

RGEA14036AJD081AAAJA

Note: Factory installed economizer is not available.

## NOMINAL SIZES 2-5 TONS [7.0-17.6 kW]

Model RGEA14 Series	024AJT061AB	024AJT06XAB	024AJT081AB	024AJT08XAB
<b>Cooling Performance<sup>1</sup></b>				<b>CONTINUED</b> →
Gross Cooling Capacity Btu [kW]	24,500 [7.18]	24,500 [7.18]	24,500 [7.18]	24,500 [7.18]
EER/SEER <sup>2</sup>	11/14	11/14	11/14	11/14
Nominal CFM/AHRI Rated CFM [L/s]	800/900 [378/425]	800/900 [378/425]	800/900 [378/425]	800/900 [378/425]
AHRI Net Cooling Capacity Btu [kW]	23,600 [6.92]	23,600 [6.92]	23,600 [6.92]	23,600 [6.92]
Net Sensible Capacity Btu [kW]	17,700 [5.19]	17,700 [5.19]	17,700 [5.19]	17,700 [5.19]
Net Latent Capacity Btu [kW]	5,900 [1.73]	5,900 [1.73]	5,900 [1.73]	5,900 [1.73]
Net System Power kW	2.15	2.15	2.15	2.15
<b>Heating Performance (Gas)<sup>3</sup></b>				
Heating Input Btu [kW]	60,000 [17.58]	60,000 [17.58]	80,000 [23.44]	80,000 [23.44]
Heating Output Btu [kW]	48,000 [14.06]	48,000 [14.06]	65,000 [19.04]	65,000 [19.04]
Temperature Rise Range °F [°C]	40-70 [22.2-38.9]	40-70 [22.2-38.9]	35-65 [19.4-36.1]	35-65 [19.4-36.1]
AFUE % <sup>4</sup>	81	81	81	81
Steady State Efficiency (%)	82	82	82	82
No. Burners	2	2	2	2
No. Stages	1	1	1	1
Gas Connection Pipe Size in. [mm]	0.5 [12.7]	0.5 [12.7]	0.5 [12.7]	0.5 [12.7]
<b>Compressor</b>				
No./Type	1/Scroll	1/Scroll	1/Scroll	1/Scroll
<b>Outdoor Sound Rating (dB)<sup>5</sup></b>	76	76	76	76
<b>Outdoor Coil—Fin Type</b>	Louvered	Louvered	Louvered	Louvered
Tube Type	MicroChannel	MicroChannel	MicroChannel	MicroChannel
MicroChannel Depth in. [mm]	0.71 [18]	0.71 [18]	0.71 [18]	0.71 [18]
Face Area sq. ft. [sq. m]	7.1 [0.66]	7.1 [0.66]	7.1 [0.66]	7.1 [0.66]
Rows / FPI [FPcm]	1 / 23 [9]	1 / 23 [9]	1 / 23 [9]	1 / 23 [9]
<b>Indoor Coil—Fin Type</b>	Louvered	Louvered	Louvered	Louvered
Tube Type	MicroChannel	MicroChannel	MicroChannel	MicroChannel
MicroChannel Depth in. [mm]	1 [25.4]	1 [25.4]	1 [25.4]	1 [25.4]
Face Area sq. ft. [sq. m]	3.6 [0.33]	3.6 [0.33]	3.6 [0.33]	3.6 [0.33]
Rows / FPI [FPcm]	1 / 17 [7]	1 / 17 [7]	1 / 17 [7]	1 / 17 [7]
Refrigerant Control	TX Valves	TX Valves	TX Valves	TX Valves
Drain Connection No./Size in. [mm]	1/0.75 [19.05]	1/0.75 [19.05]	1/0.75 [19.05]	1/0.75 [19.05]
<b>Outdoor Fan—Type</b>	Propeller	Propeller	Propeller	Propeller
No. Used/Diameter in. [mm]	1/22 [558.8]	1/22 [558.8]	1/22 [558.8]	1/22 [558.8]
Drive Type/No. Speeds	Direct/1	Direct/1	Direct/1	Direct/1
CFM [L/s]	2500 [1180]	2500 [1180]	2500 [1180]	2500 [1180]
No. Motors/HP	1 at 1/3 HP	1 at 1/3 HP	1 at 1/3 HP	1 at 1/3 HP
Motor RPM	1075	1075	1075	1075
<b>Indoor Fan—Type</b>	FC Centrifugal	FC Centrifugal	FC Centrifugal	FC Centrifugal
No. Used/Diameter in. [mm]	1/10x9 [254x229]	1/10x9 [254x229]	1/10x9 [254x229]	1/10x9 [254x229]
Drive Type	Direct	Direct	Direct	Direct
No. Speeds	Multiple	Multiple	Multiple	Multiple
No. Motors	1	1	1	1
Motor HP	43468	43468	43468	43468
Motor RPM	1075	1075	1075	1075
Motor Frame Size	48	48	48	48
<b>Filter—Type</b>	Field Supplied	Field Supplied	Field Supplied	Field Supplied
Furnished	No	No	No	No
(NO.) Size Recommended in. [mm x mm x mm]	(1)1x20x20 [25x508x508]	(1)1x20x20 [25x508x508]	(1)1x20x20 [25x508x508]	(1)1x20x20 [25x508x508]
<b>Refrigerant Charge Oz. [g]</b>	42.6 [1208]	42.6 [1208]	42.6 [1208]	42.6 [1208]
<b>Weights</b>				
Net Weight lbs. [kg]	403 [183]	403 [183]	408 [185]	408 [185]
Ship Weight lbs. [kg]	413 [187]	413 [187]	418 [190]	418 [190]

See Page 36 for Notes.

[ ] Designates Metric Conversions



## NOMINAL SIZES 2-5 TONS [7.0-17.6 kW]

Model RGEA14 Series	030AJT061AB	030AJT06XAB	030AJT081AB	030AJT08XAB
<b>Cooling Performance<sup>1</sup></b>				<b>CONTINUED</b> →
Gross Cooling Capacity Btu [kW]	29,100 [8.53]	29,100 [8.53]	29,100 [8.53]	29,100 [8.53]
EER/SEER <sup>2</sup>	11/14	11/14	11/14	11/14
Nominal CFM/AHRI Rated CFM [L/s]	1000/975 [472/460]	1000/975 [472/460]	1000/975 [472/460]	1000/975 [472/460]
AHRI Net Cooling Capacity Btu [kW]	28,000 [8.21]	28,000 [8.21]	28,000 [8.21]	28,000 [8.21]
Net Sensible Capacity Btu [kW]	21,000 [6.15]	21,000 [6.15]	21,000 [6.15]	21,000 [6.15]
Net Latent Capacity Btu [kW]	7,000 [2.06]	7,000 [2.06]	7,000 [2.06]	7,000 [2.06]
Net System Power kW	2.55	2.55	2.55	2.55
<b>Heating Performance (Gas)<sup>3</sup></b>				
Heating Input Btu [kW]	60,000 [17.58]	60,000 [17.58]	80,000 [23.44]	80,000 [23.44]
Heating Output Btu [kW]	48,000 [14.06]	48,000 [14.06]	65,000 [19.04]	65,000 [19.04]
Temperature Rise Range °F [°C]	40-70 [22.2-38.9]	40-70 [22.2-38.9]	35-65 [19.4-36.1]	35-65 [19.4-36.1]
AFUE % <sup>4</sup>	81	81	81	81
Steady State Efficiency (%)	82	82	82	82
No. Burners	3	3	3	3
No. Stages	1	1	1	1
Gas Connection Pipe Size in. [mm]	0.5 [12.7]	0.5 [12.7]	0.5 [12.7]	0.5 [12.7]
<b>Compressor</b>				
No./Type	1/Scroll	1/Scroll	1/Scroll	1/Scroll
<b>Outdoor Sound Rating (dB)<sup>5</sup></b>	76	76	76	76
<b>Outdoor Coil—Fin Type</b>	Louvered	Louvered	Louvered	Louvered
Tube Type	MicroChannel	MicroChannel	MicroChannel	MicroChannel
MicroChannel Depth in. [mm]	0.71 [18]	0.71 [18]	0.71 [18]	0.71 [18]
Face Area sq. ft. [sq. m]	9.9 [0.92]	9.9 [0.92]	9.9 [0.92]	9.9 [0.92]
Rows / FPI [FPcm]	1 / 23 [9]	1 / 23 [9]	1 / 23 [9]	1 / 23 [9]
<b>Indoor Coil—Fin Type</b>	Louvered	Louvered	Louvered	Louvered
Tube Type	MicroChannel	MicroChannel	MicroChannel	MicroChannel
MicroChannel Depth in. [mm]	1 [25.4]	1 [25.4]	1 [25.4]	1 [25.4]
Face Area sq. ft. [sq. m]	3.6 [0.33]	3.6 [0.33]	3.6 [0.33]	3.6 [0.33]
Rows / FPI [FPcm]	1 / 17 [7]	1 / 17 [7]	1 / 17 [7]	1 / 17 [7]
Refrigerant Control	TX Valves	TX Valves	TX Valves	TX Valves
Drain Connection No./Size in. [mm]	1/0.75 [19.05]	1/0.75 [19.05]	1/0.75 [19.05]	1/0.75 [19.05]
<b>Outdoor Fan—Type</b>	Propeller	Propeller	Propeller	Propeller
No. Used/Diameter in. [mm]	1/22 [558.8]	1/22 [558.8]	1/22 [558.8]	1/22 [558.8]
Drive Type/No. Speeds	Direct/1	Direct/1	Direct/1	Direct/1
CFM [L/s]	2500 [1180]	2500 [1180]	2500 [1180]	2500 [1180]
No. Motors/HP	1 at 1/3 HP	1 at 1/3 HP	1 at 1/3 HP	1 at 1/3 HP
Motor RPM	1075	1075	1075	1075
<b>Indoor Fan—Type</b>	FC Centrifugal	FC Centrifugal	FC Centrifugal	FC Centrifugal
No. Used/Diameter in. [mm]	1/10x9 [254x229]	1/10x9 [254x229]	1/10x9 [254x229]	1/10x9 [254x229]
Drive Type	Direct	Direct	Direct	Direct
No. Speeds	Multiple	Multiple	Multiple	Multiple
No. Motors	1	1	1	1
Motor HP	1/2	1/2	1/2	1/2
Motor RPM	1075	1075	1075	1075
Motor Frame Size	48	48	48	48
<b>Filter—Type</b>	Field Supplied	Field Supplied	Field Supplied	Field Supplied
Furnished	No	No	No	No
(NO.) Size Recommended in. [mm x mm x mm]	(1)1x24x24 [25x610x610]	(1)1x24x24 [25x610x610]	(1)1x24x24 [25x610x610]	(1)1x24x24 [25x610x610]
<b>Refrigerant Charge Oz. [g]</b>	46.8 [1327]	46.8 [1327]	46.8 [1327]	46.8 [1327]
<b>Weights</b>				
Net Weight lbs. [kg]	403 [183]	403 [183]	408 [185]	408 [185]
Ship Weight lbs. [kg]	413 [187]	413 [187]	418 [190]	418 [190]

See Page 36 for Notes.

[ ] Designates Metric Conversions



## NOMINAL SIZES 2-5 TONS [7.0-17.6 kW]

Model RGEA14 Series	036AJT061AA	036AJT06XAA	036ACD061AA	036ACD06XAA
<b>Cooling Performance<sup>1</sup></b>				<b>CONTINUED</b> →
Gross Cooling Capacity Btu [kW]	34,900 [10.23]	34,900 [10.23]	34,900 [10.23]	34,900 [10.23]
EER/SEER <sup>2</sup>	11/14	11/14	11/14	11/14
Nominal CFM/AHRI Rated CFM [L/s]	1200/1200 [566/566]	1200/1200 [566/566]	1200/1200 [566/566]	1200/1200 [566/566]
AHRI Net Cooling Capacity Btu [kW]	33,600 [9.85]	33,600 [9.85]	33,600 [9.85]	33,600 [9.85]
Net Sensible Capacity Btu [kW]	25,200 [7.39]	25,200 [7.39]	25,200 [7.39]	25,200 [7.39]
Net Latent Capacity Btu [kW]	8,400 [2.46]	8,400 [2.46]	8,400 [2.46]	8,400 [2.46]
Net System Power kW	3.05	3.05	3.05	3.05
<b>Heating Performance (Gas)<sup>3</sup></b>				
Heating Input Btu [kW]	60,000 [17.58]	60,000 [17.58]	60,000 [17.58]	60,000 [17.58]
Heating Output Btu [kW]	48,000 [14.06]	48,000 [14.06]	48,000 [14.06]	48,000 [14.06]
Temperature Rise Range °F [°C]	30-60 [16.7-33.3]	30-60 [16.7-33.3]	30-60 [16.7-33.3]	30-60 [16.7-33.3]
AFUE % <sup>4</sup>	81	81	81	81
Steady State Efficiency (%)	82	82	82	82
No. Burners	3	3	3	3
No. Stages	1	1	1	1
Gas Connection Pipe Size in. [mm]	0.5 [12.7]	0.5 [12.7]	0.5 [12.7]	0.5 [12.7]
<b>Compressor</b>				
No./Type	1/Scroll	1/Scroll	1/Scroll	1/Scroll
<b>Outdoor Sound Rating (dB)<sup>5</sup></b>	76	76	76	76
<b>Outdoor Coil—Fin Type</b>	Louvered	Louvered	Louvered	Louvered
Tube Type	MicroChannel	MicroChannel	MicroChannel	MicroChannel
MicroChannel Depth in. [mm]	0.71 [18]	0.71 [18]	0.71 [18]	0.71 [18]
Face Area sq. ft. [sq. m]	9.8 [0.91]	9.8 [0.91]	9.8 [0.91]	9.8 [0.91]
Rows / FPI [FPcm]	1 / 23 [9]	1 / 23 [9]	1 / 23 [9]	1 / 23 [9]
<b>Indoor Coil—Fin Type</b>	Louvered	Louvered	Louvered	Louvered
Tube Type	MicroChannel	MicroChannel	MicroChannel	MicroChannel
MicroChannel Depth in. [mm]	1 [25.4]	1 [25.4]	1 [25.4]	1 [25.4]
Face Area sq. ft. [sq. m]	3.6 [0.33]	3.6 [0.33]	3.6 [0.33]	3.6 [0.33]
Rows / FPI [FPcm]	1 / 23 [9]	1 / 23 [9]	1 / 23 [9]	1 / 23 [9]
Refrigerant Control	TX Valves	TX Valves	TX Valves	TX Valves
Drain Connection No./Size in. [mm]	1/0.75 [19.05]	1/0.75 [19.05]	1/0.75 [19.05]	1/0.75 [19.05]
<b>Outdoor Fan—Type</b>	Propeller	Propeller	Propeller	Propeller
No. Used/Diameter in. [mm]	1/22 [558.8]	1/22 [558.8]	1/22 [558.8]	1/22 [558.8]
Drive Type/No. Speeds	Direct/1	Direct/1	Direct/1	Direct/1
CFM [L/s]	2700 [1274]	2700 [1274]	2700 [1274]	2700 [1274]
No. Motors/HP	1 at 1/3 HP	1 at 1/3 HP	1 at 1/3 HP	1 at 1/3 HP
Motor RPM	840	840	840	840
<b>Indoor Fan—Type</b>	FC Centrifugal	FC Centrifugal	FC Centrifugal	FC Centrifugal
No. Used/Diameter in. [mm]	1/12x9 [305x229]	1/12x9 [305x229]	1/12x9 [305x229]	1/12x9 [305x229]
Drive Type	Direct	Direct	Direct	Direct
No. Speeds	Multiple	Multiple	Multiple	Multiple
No. Motors	1	1	1	1
Motor HP	1/2	1/2	1/2	1/2
Motor RPM	1075	1075	1075	1075
Motor Frame Size	48	48	48	48
<b>Filter—Type</b>	Field Supplied	Field Supplied	Field Supplied	Field Supplied
Furnished	No	No	No	No
(NO.) Size Recommended in. [mm x mm x mm]	(1)1x24x24 [25x610x610]	(1)1x24x24 [25x610x610]	(1)1x24x24 [25x610x610]	(1)1x24x24 [25x610x610]
<b>Refrigerant Charge Oz. [g]</b>	52.7 [1494]	52.7 [1494]	52.7 [1494]	52.7 [1494]
<b>Weights</b>				
Net Weight lbs. [kg]	411 [186]	411 [186]	411 [186]	411 [186]
Ship Weight lbs. [kg]	421 [191]	421 [191]	421 [191]	421 [191]

See Page 36 for Notes.

[ ] Designates Metric Conversions

## NOMINAL SIZES 2-5 TONS [7.0-17.6 kW]

Model RGEA14 Series	036ACD081AA	036ACD08XAA	036ACD101AA	036ACD10XAA
<b>Cooling Performance<sup>1</sup></b>				<b>CONTINUED</b> →
Gross Cooling Capacity Btu [kW]	34,900TZCGE Series [10.23]	34,900TZCGE Series [10.23]	34,900TZCGE Series [10.23]	34,900TZCGE Series [10.23]
EER/SEER <sup>2</sup>	11/14	11/14	11/14	11/14
Nominal CFM/AHRI Rated CFM [L/s]	1200/1200 [566/566]	1200/1200 [566/566]	1200/1200 [566/566]	1200/1200 [566/566]
AHRI Net Cooling Capacity Btu [kW]	33,600 [9.85]	33,600 [9.85]	33,600 [9.85]	33,600 [9.85]
Net Sensible Capacity Btu [kW]	25,200 [7.39]	25,200 [7.39]	25,200 [7.39]	25,200 [7.39]
Net Latent Capacity Btu [kW]	8,400 [2.46]	8,400 [2.46]	8,400 [2.46]	8,400 [2.46]
Net System Power kW	3.05	3.05	3.05	3.05
<b>Heating Performance (Gas)<sup>3</sup></b>				
Heating Input Btu [kW]	80,000 [23.44]	80,000 [23.44]	100,000 [29.3]	100,000 [29.3]
Heating Output Btu [kW]	65,000 [19.04]	65,000 [19.04]	81,000 [23.73]	81,000 [23.73]
Temperature Rise Range °F [°C]	30-60 [16.7-33.3]	30-60 [16.7-33.3]	40-70 [22.2-38.9]	40-70 [22.2-38.9]
AFUE % <sup>4</sup>	81	81	81	81
Steady State Efficiency (%)	82	82	82	82
No. Burners	3	3	3	3
No. Stages	1	1	1	1
Gas Connection Pipe Size in. [mm]	0.5 [12.7]	0.5 [12.7]	0.5 [12.7]	0.5 [12.7]
<b>Compressor</b>				
No./Type	1/Scroll	1/Scroll	1/Scroll	1/Scroll
<b>Outdoor Sound Rating (dB)<sup>5</sup></b>	76	76	76	76
<b>Outdoor Coil—Fin Type</b>	Louvered	Louvered	Louvered	Louvered
Tube Type	MicroChannel	MicroChannel	MicroChannel	MicroChannel
MicroChannel Depth in. [mm]	0.71 [18]	0.71 [18]	0.71 [18]	0.71 [18]
Face Area sq. ft. [sq. m]	9.8 [0.91]	9.8 [0.91]	9.8 [0.91]	9.8 [0.91]
Rows / FPI [FPcm]	1 / 23 [9]	1 / 23 [9]	1 / 23 [9]	1 / 23 [9]
<b>Indoor Coil—Fin Type</b>	Louvered	Louvered	Louvered	Louvered
Tube Type	MicroChannel	MicroChannel	MicroChannel	MicroChannel
MicroChannel Depth in. [mm]	1 [25.4]	1 [25.4]	1 [25.4]	1 [25.4]
Face Area sq. ft. [sq. m]	3.6 [0.33]	3.6 [0.33]	3.6 [0.33]	3.6 [0.33]
Rows / FPI [FPcm]	1 / 23 [9]	1 / 23 [9]	1 / 23 [9]	1 / 23 [9]
Refrigerant Control	TX Valves	TX Valves	TX Valves	TX Valves
Drain Connection No./Size in. [mm]	1/0.75 [19.05]	1/0.75 [19.05]	1/0.75 [19.05]	1/0.75 [19.05]
<b>Outdoor Fan—Type</b>	Propeller	Propeller	Propeller	Propeller
No. Used/Diameter in. [mm]	1/22 [558.8]	1/22 [558.8]	1/22 [558.8]	1/22 [558.8]
Drive Type/No. Speeds	Direct/1	Direct/1	Direct/1	Direct/1
CFM [L/s]	2700 [1274]	2700 [1274]	2700 [1274]	2700 [1274]
No. Motors/HP	1 at 1/3 HP	1 at 1/3 HP	1 at 1/3 HP	1 at 1/3 HP
Motor RPM	840	840	840	840
<b>Indoor Fan—Type</b>	FC Centrifugal	FC Centrifugal	FC Centrifugal	FC Centrifugal
No. Used/Diameter in. [mm]	1/12x9 [305x229]	1/12x9 [305x229]	1/12x9 [305x229]	1/12x9 [305x229]
Drive Type	Direct	Direct	Direct	Direct
No. Speeds	Multiple	Multiple	Multiple	Multiple
No. Motors	1	1	1	1
Motor HP	1/2	1/2	1/2	1/2
Motor RPM	1075	1075	1075	1075
Motor Frame Size	48	48	48	48
<b>Filter—Type</b>	Field Supplied	Field Supplied	Field Supplied	Field Supplied
Furnished	No	No	No	No
(NO.) Size Recommended in. [mm x mm x mm]	(1)1x24x24 [25x610x610]	(1)1x24x24 [25x610x610]	(1)1x24x24 [25x610x610]	(1)1x24x24 [25x610x610]
<b>Refrigerant Charge Oz. [g]</b>	52.7 [1494]	52.7 [1494]	52.7 [1494]	52.7 [1494]
<b>Weights</b>				
Net Weight lbs. [kg]	416 [189]	416 [189]	421 [191]	421 [191]
Ship Weight lbs. [kg]	426 [193]	426 [193]	431 [196]	431 [196]

See Page 36 for Notes.

[ ] Designates Metric Conversions

## NOMINAL SIZES 2-5 TONS [7.0-17.6 kW]

Model RGEA14 Series	036ADD061AA	036ADD06XAA	036ADD081AA	036ADD08XAA
<b>Cooling Performance<sup>1</sup></b>				<b>CONTINUED</b> →
Gross Cooling Capacity Btu [kW]	34,900TZCGE Series [10.23]	34,900TZCGE Series [10.23]	34,900TZCGE Series [10.23]	34,900TZCGE Series [10.23]
EER/SEER <sup>2</sup>	11/14	11/14	11/14	11/14
Nominal CFM/AHRI Rated CFM [L/s]	1200/1200 [566/566]	1200/1200 [566/566]	1200/1200 [566/566]	1200/1200 [566/566]
AHRI Net Cooling Capacity Btu [kW]	33,600 [9.85]	33,600 [9.85]	33,600 [9.85]	33,600 [9.85]
Net Sensible Capacity Btu [kW]	25,200 [7.39]	25,200 [7.39]	25,200 [7.39]	25,200 [7.39]
Net Latent Capacity Btu [kW]	8,400 [2.46]	8,400 [2.46]	8,400 [2.46]	8,400 [2.46]
Net System Power kW	3.05	3.05	3.05	3.05
<b>Heating Performance (Gas)<sup>3</sup></b>				
Heating Input Btu [kW]	60,000 [17.58]	60,000 [17.58]	80,000 [23.44]	80,000 [23.44]
Heating Output Btu [kW]	48,000 [14.06]	48,000 [14.06]	65,000 [19.04]	65,000 [19.04]
Temperature Rise Range °F [°C]	30-60 [16.7-33.3]	30-60 [16.7-33.3]	30-60 [16.7-33.3]	30-60 [16.7-33.3]
AFUE % <sup>4</sup>	81	81	81	81
Steady State Efficiency (%)	82	82	82	82
No. Burners	3	3	3	3
No. Stages	1	1	1	1
Gas Connection Pipe Size in. [mm]	0.5 [12.7]	0.5 [12.7]	0.5 [12.7]	0.5 [12.7]
<b>Compressor</b>				
No./Type	1/Scroll	1/Scroll	1/Scroll	1/Scroll
<b>Outdoor Sound Rating (dB)<sup>5</sup></b>				
	76	76	76	76
<b>Outdoor Coil—Fin Type</b>				
Tube Type	Louvered	Louvered	Louvered	Louvered
MicroChannel Depth in. [mm]	MicroChannel	MicroChannel	MicroChannel	MicroChannel
Face Area sq. ft. [sq. m]	0.71 [18]	0.71 [18]	0.71 [18]	0.71 [18]
Rows / FPI [FPcm]	9.8 [0.91]	9.8 [0.91]	9.8 [0.91]	9.8 [0.91]
	1 / 23 [9]	1 / 23 [9]	1 / 23 [9]	1 / 23 [9]
<b>Indoor Coil—Fin Type</b>				
Tube Type	Louvered	Louvered	Louvered	Louvered
MicroChannel Depth in. [mm]	MicroChannel	MicroChannel	MicroChannel	MicroChannel
Face Area sq. ft. [sq. m]	1 [25.4]	1 [25.4]	1 [25.4]	1 [25.4]
Rows / FPI [FPcm]	3.6 [0.33]	3.6 [0.33]	3.6 [0.33]	3.6 [0.33]
	1 / 17 [7]	1 / 17 [7]	1 / 17 [7]	1 / 17 [7]
Refrigerant Control	TX Valves	TX Valves	TX Valves	TX Valves
Drain Connection No./Size in. [mm]	1/0.75 [19.05]	1/0.75 [19.05]	1/0.75 [19.05]	1/0.75 [19.05]
<b>Outdoor Fan—Type</b>				
No. Used/Diameter in. [mm]	Propeller	Propeller	Propeller	Propeller
Drive Type/No. Speeds	1/22 [558.8]	1/22 [558.8]	1/22 [558.8]	1/22 [558.8]
CFM [L/s]	Direct/1	Direct/1	Direct/1	Direct/1
No. Motors/HP	2700 [1274]	2700 [1274]	2700 [1274]	2700 [1274]
Motor RPM	1 at 1/3 HP	1 at 1/3 HP	1 at 1/3 HP	1 at 1/3 HP
	840	840	840	840
<b>Indoor Fan—Type</b>				
No. Used/Diameter in. [mm]	FC Centrifugal	FC Centrifugal	FC Centrifugal	FC Centrifugal
Drive Type	1/12x9 [305x229]	1/12x9 [305x229]	1/12x9 [305x229]	1/12x9 [305x229]
No. Speeds	Direct	Direct	Direct	Direct
No. Motors	Multiple	Multiple	Multiple	Multiple
Motor HP	1	1	1	1
Motor RPM	1/2	1/2	1/2	1/2
Motor Frame Size	1075	1075	1075	1075
	48	48	48	48
<b>Filter—Type</b>				
Furnished	Field Supplied	Field Supplied	Field Supplied	Field Supplied
(NO.) Size Recommended in. [mm x mm x mm]	No	No	No	No
	(1)1x24x24 [25x610x610]	(1)1x24x24 [25x610x610]	(1)1x24x24 [25x610x610]	(1)1x24x24 [25x610x610]
<b>Refrigerant Charge Oz. [g]</b>				
	52.7 [1494]	52.7 [1494]	52.7 [1494]	52.7 [1494]
<b>Weights</b>				
Net Weight lbs. [kg]	411 [186]	411 [186]	416 [189]	416 [189]
Ship Weight lbs. [kg]	421 [191]	421 [191]	426 [193]	426 [193]

See Page 36 for Notes.

[ ] Designates Metric Conversions

## NOMINAL SIZES 2-5 TONS [7.0-17.6 kW]

Model RGEA14 Series	036ADD101AA	036ADD10XAA	036AJT081AB	036AJT08XAB
<b>Cooling Performance<sup>1</sup></b>	<b>CONTINUED</b> →			
Gross Cooling Capacity Btu [kW]	34,900TZCGE Series [10.23]	34,900TZCGE Series [10.23]	34,900TZCGE Series [10.23]	34,900TZCGE Series [10.23]
EER/SEER <sup>2</sup>	11/14	11/14	11/14	11/14
Nominal CFM/AHRI Rated CFM [L/s]	1200/1200 [566/566]	1200/1200 [566/566]	1200/1200 [566/566]	1200/1200 [566/566]
AHRI Net Cooling Capacity Btu [kW]	33,600 [9.85]	33,600 [9.85]	33,600 [9.85]	33,600 [9.85]
Net Sensible Capacity Btu [kW]	25,200 [7.39]	25,200 [7.39]	25,200 [7.39]	25,200 [7.39]
Net Latent Capacity Btu [kW]	8,400 [2.46]	8,400 [2.46]	8,400 [2.46]	8,400 [2.46]
Net System Power kW	3.05	3.05	3.05	3.05
<b>Heating Performance (Gas)<sup>3</sup></b>				
Heating Input Btu [kW]	100,000 [29.3]	100,000 [29.3]	80,000 [23.44]	80,000 [23.44]
Heating Output Btu [kW]	81,000 [23.73]	81,000 [23.73]	65,000 [19.04]	65,000 [19.04]
Temperature Rise Range °F [°C]	40-70 [22.2-38.9]	40-70 [22.2-38.9]	35-65 [19.4-36.1]	35-65 [19.4-36.1]
AFUE % <sup>4</sup>	81	81	81	81
Steady State Efficiency (%)	82	82	82	82
No. Burners	3	3	3	3
No. Stages	1	1	1	1
Gas Connection Pipe Size in. [mm]	0.5 [12.7]	0.5 [12.7]	0.5 [12.7]	0.5 [12.7]
<b>Compressor</b>				
No./Type	1/Scroll	1/Scroll	1/Scroll	1/Scroll
<b>Outdoor Sound Rating (dB)<sup>5</sup></b>	76	76	76	76
<b>Outdoor Coil—Fin Type</b>	Louvered	Louvered	Louvered	Louvered
Tube Type	MicroChannel	MicroChannel	MicroChannel	MicroChannel
MicroChannel Depth in. [mm]	0.71 [18]	0.71 [18]	0.71 [18]	0.71 [18]
Face Area sq. ft. [sq. m]	9.8 [0.91]	9.8 [0.91]	9.8 [0.91]	9.8 [0.91]
Rows / FPI [FPcm]	1 / 23 [9]	1 / 23 [9]	1 / 23 [9]	1 / 23 [9]
<b>Indoor Coil—Fin Type</b>	Louvered	Louvered	Louvered	Louvered
Tube Type	MicroChannel	MicroChannel	MicroChannel	MicroChannel
MicroChannel Depth in. [mm]	1 [25.4]	1 [25.4]	1 [25.4]	1 [25.4]
Face Area sq. ft. [sq. m]	3.6 [0.33]	3.6 [0.33]	3.6 [0.33]	3.6 [0.33]
Rows / FPI [FPcm]	1 / 17 [7]	1 / 17 [7]	1 / 17 [7]	1 / 17 [7]
Refrigerant Control	TX Valves	TX Valves	TX Valves	TX Valves
Drain Connection No./Size in. [mm]	1/0.75 [19.05]	1/0.75 [19.05]	1/0.75 [19.05]	1/0.75 [19.05]
<b>Outdoor Fan—Type</b>	Propeller	Propeller	Propeller	Propeller
No. Used/Diameter in. [mm]	1/22 [558.8]	1/22 [558.8]	1/22 [558.8]	1/22 [558.8]
Drive Type/No. Speeds	Direct/1	Direct/1	Direct/1	Direct/1
CFM [L/s]	2700 [1274]	2700 [1274]	2700 [1274]	2700 [1274]
No. Motors/HP	1 at 1/3 HP	1 at 1/3 HP	1 at 1/3 HP	1 at 1/3 HP
Motor RPM	840	840	1075	1075
<b>Indoor Fan—Type</b>	FC Centrifugal	FC Centrifugal	FC Centrifugal	FC Centrifugal
No. Used/Diameter in. [mm]	1/12x9 [305x229]	1/12x9 [305x229]	1/12x9 [305x229]	1/12x9 [305x229]
Drive Type	Direct	Direct	Direct	Direct
No. Speeds	Multiple	Multiple	Multiple	Multiple
No. Motors	1	1	1	1
Motor HP	1/2	1/2	1/2	1/2
Motor RPM	1075	1075	1075	1075
Motor Frame Size	48	48	48	48
<b>Filter—Type</b>	Field Supplied	Field Supplied	Field Supplied	Field Supplied
Furnished	No	No	No	No
(NO.) Size Recommended in. [mm x mm x mm]	(1)1x24x24 [25x610x610]	(1)1x24x24 [25x610x610]	(1)1x24x24 [25x610x610]	(1)1x24x24 [25x610x610]
<b>Refrigerant Charge Oz. [g]</b>	52.7 [1494]	52.7 [1494]	52.7 [1494]	52.7 [1494]
<b>Weights</b>				
Net Weight lbs. [kg]	421 [191]	421 [191]	416 [189]	416 [189]
Ship Weight lbs. [kg]	431 [196]	431 [196]	426 [193]	426 [193]

See Page 36 for Notes.

[ ] Designates Metric Conversions

## NOMINAL SIZES 2-5 TONS [7.0-17.6 kW]

Model RGEA14 Series	036AJT101AB	036AJT10XAB	036BCT061AA	036BCT06XAA
<b>Cooling Performance<sup>1</sup></b>				<b>CONTINUED</b> →
Gross Cooling Capacity Btu [kW]	34,900 [10.23]	34,900 [10.23]	34,900 [10.23]	34,900 [10.23]
EER/SEER <sup>2</sup>	11/14	11/14	11/14	11/14
Nominal CFM/AHRI Rated CFM [L/s]	1200/1200 [566/566]	1200/1200 [566/566]	1200/1200 [566/566]	1200/1200 [566/566]
AHRI Net Cooling Capacity Btu [kW]	33,600 [9.85]	33,600 [9.85]	33,600 [9.85]	33,600 [9.85]
Net Sensible Capacity Btu [kW]	25,200 [7.39]	25,200 [7.39]	25,200 [7.39]	25,200 [7.39]
Net Latent Capacity Btu [kW]	8,400 [2.46]	8,400 [2.46]	8,400 [2.46]	8,400 [2.46]
Net System Power kW	3.05	3.05	3.05	3.05
<b>Heating Performance (Gas)<sup>3</sup></b>				
Heating Input Btu [kW]	100,000 [29.3]	100,000 [29.3]	60,000 [17.58]	60,000 [17.58]
Heating Output Btu [kW]	81,000 [23.73]	81,000 [23.73]	48,000 [14.06]	48,000 [14.06]
Temperature Rise Range °F [°C]	45-75 [25-41.7]	45-75 [25-41.7]	40-70 [22.2-38.9]	40-70 [22.2-38.9]
AFUE % <sup>4</sup>	81	81	81	81
Steady State Efficiency (%)	82	82	82	82
No. Burners	3	3	3	3
No. Stages	1	1	1	1
Gas Connection Pipe Size in. [mm]	0.5 [12.7]	0.5 [12.7]	0.5 [12.7]	0.5 [12.7]
<b>Compressor</b>				
No./Type	1/Scroll	1/Scroll	1/Scroll	1/Scroll
<b>Outdoor Sound Rating (dB)<sup>5</sup></b>	76	76	76	76
<b>Outdoor Coil—Fin Type</b>	Louvered	Louvered	Louvered	Louvered
Tube Type	MicroChannel	MicroChannel	MicroChannel	MicroChannel
MicroChannel Depth in. [mm]	0.71 [18]	0.71 [18]	0.71 [18]	0.71 [18]
Face Area sq. ft. [sq. m]	9.8 [0.91]	9.8 [0.91]	9.8 [0.91]	9.8 [0.91]
Rows / FPI [FPcm]	1 / 23 [9]	1 / 23 [9]	1 / 23 [9]	1 / 23 [9]
<b>Indoor Coil—Fin Type</b>	Louvered	Louvered	Louvered	Louvered
Tube Type	MicroChannel	MicroChannel	MicroChannel	MicroChannel
MicroChannel Depth in. [mm]	1 [25.4]	1 [25.4]	1 [25.4]	1 [25.4]
Face Area sq. ft. [sq. m]	3.6 [0.33]	3.6 [0.33]	3.6 [0.33]	3.6 [0.33]
Rows / FPI [FPcm]	1 / 17 [7]	1 / 17 [7]	1 / 17 [7]	1 / 17 [7]
Refrigerant Control	TX Valves	TX Valves	TX Valves	TX Valves
Drain Connection No./Size in. [mm]	1/0.75 [19.05]	1/0.75 [19.05]	1/0.75 [19.05]	1/0.75 [19.05]
<b>Outdoor Fan—Type</b>	Propeller	Propeller	Propeller	Propeller
No. Used/Diameter in. [mm]	1/22 [558.8]	1/22 [558.8]	1/22 [558.8]	1/22 [558.8]
Drive Type/No. Speeds	Direct/1	Direct/1	Direct/1	Direct/1
CFM [L/s]	2700 [1274]	2700 [1274]	2700 [1274]	2700 [1274]
No. Motors/HP	1 at 1/3 HP	1 at 1/3 HP	1 at 1/3 HP	1 at 1/3 HP
Motor RPM	1075	1075	1075	1075
<b>Indoor Fan—Type</b>	FC Centrifugal	FC Centrifugal	FC Centrifugal	FC Centrifugal
No. Used/Diameter in. [mm]	1/12x9 [305x229]	1/12x9 [305x229]	1/12x9 [305x229]	1/12x9 [305x229]
Drive Type	Direct	Direct	Direct	Direct
No. Speeds	Multiple	Multiple	Multiple	Multiple
No. Motors	1	1	1	1
Motor HP	1/2	1/2	1/2	1/2
Motor RPM	1075	1075	1075	1075
Motor Frame Size	48	48	48	48
<b>Filter—Type</b>	Field Supplied	Field Supplied	Field Supplied	Field Supplied
Furnished	No	No	No	No
(NO.) Size Recommended in. [mm x mm x mm]	(1)1x24x24 [25x610x610]	(1)1x24x24 [25x610x610]	(1)1x24x24 [25x610x610]	(1)1x24x24 [25x610x610]
<b>Refrigerant Charge Oz. [g]</b>	52.7 [1494]	52.7 [1494]	52.7 [1494]	52.7 [1494]
<b>Weights</b>				
Net Weight lbs. [kg]	421 [191]	421 [191]	411 [186]	411 [186]
Ship Weight lbs. [kg]	431 [196]	431 [196]	421 [191]	421 [191]

See Page 36 for Notes.

[ ] Designates Metric Conversions

## NOMINAL SIZES 2-5 TONS [7.0-17.6 kW]

Model RGEA14 Series	036BCT081AA	036BCT08XAA	036BCT101AA	036BCT10XAA
<b>Cooling Performance<sup>1</sup></b>				<b>CONTINUED</b> →
Gross Cooling Capacity Btu [kW]	34,900 [10.23]	34,900 [10.23]	34,900 [10.23]	34,900 [10.23]
EER/SEER <sup>2</sup>	11/14	11/14	11/14	11/14
Nominal CFM/AHRI Rated CFM [L/s]	1200/1200 [566/566]	1200/1200 [566/566]	1200/1200 [566/566]	1200/1200 [566/566]
AHRI Net Cooling Capacity Btu [kW]	33,600 [9.85]	33,600 [9.85]	33,600 [9.85]	33,600 [9.85]
Net Sensible Capacity Btu [kW]	25,200 [7.39]	25,200 [7.39]	25,200 [7.39]	25,200 [7.39]
Net Latent Capacity Btu [kW]	8,400 [2.46]	8,400 [2.46]	8,400 [2.46]	8,400 [2.46]
Net System Power kW	3.05	3.05	3.05	3.05
<b>Heating Performance (Gas)<sup>3</sup></b>				
Heating Input Btu [kW]	80,000 [23.44]	80,000 [23.44]	100,000 [29.3]	100,000 [29.3]
Heating Output Btu [kW]	65,000 [19.04]	65,000 [19.04]	81,000 [23.73]	81,000 [23.73]
Temperature Rise Range °F [°C]	35-65 [19.4-36.1]	35-65 [19.4-36.1]	45-75 [25-41.7]	45-75 [25-41.7]
AFUE % <sup>4</sup>	81	81	81	81
Steady State Efficiency (%)	82	82	82	82
No. Burners	3	3	3	3
No. Stages	1	1	1	1
Gas Connection Pipe Size in. [mm]	0.5 [12.7]	0.5 [12.7]	0.5 [12.7]	0.5 [12.7]
<b>Compressor</b>				
No./Type	1/Scroll	1/Scroll	1/Scroll	1/Scroll
<b>Outdoor Sound Rating (dB)<sup>5</sup></b>	76	76	76	76
<b>Outdoor Coil—Fin Type</b>	Louvered	Louvered	Louvered	Louvered
Tube Type	MicroChannel	MicroChannel	MicroChannel	MicroChannel
MicroChannel Depth in. [mm]	0.71 [18]	0.71 [18]	0.71 [18]	0.71 [18]
Face Area sq. ft. [sq. m]	9.8 [0.91]	9.8 [0.91]	9.8 [0.91]	9.8 [0.91]
Rows / FPI [FPcm]	1 / 23 [9]	1 / 23 [9]	1 / 23 [9]	1 / 23 [9]
<b>Indoor Coil—Fin Type</b>	Louvered	Louvered	Louvered	Louvered
Tube Type	MicroChannel	MicroChannel	MicroChannel	MicroChannel
MicroChannel Depth in. [mm]	1 [25.4]	1 [25.4]	1 [25.4]	1 [25.4]
Face Area sq. ft. [sq. m]	3.6 [0.33]	3.6 [0.33]	3.6 [0.33]	3.6 [0.33]
Rows / FPI [FPcm]	1 / 17 [7]	1 / 17 [7]	1 / 17 [7]	1 / 17 [7]
Refrigerant Control	TX Valves	TX Valves	TX Valves	TX Valves
Drain Connection No./Size in. [mm]	1/0.75 [19.05]	1/0.75 [19.05]	1/0.75 [19.05]	1/0.75 [19.05]
<b>Outdoor Fan—Type</b>	Propeller	Propeller	Propeller	Propeller
No. Used/Diameter in. [mm]	1/22 [558.8]	1/22 [558.8]	1/22 [558.8]	1/22 [558.8]
Drive Type/No. Speeds	Direct/1	Direct/1	Direct/1	Direct/1
CFM [L/s]	2700 [1274]	2700 [1274]	2700 [1274]	2700 [1274]
No. Motors/HP	1 at 1/3 HP	1 at 1/3 HP	1 at 1/3 HP	1 at 1/3 HP
Motor RPM	1075	1075	1075	1075
<b>Indoor Fan—Type</b>	FC Centrifugal	FC Centrifugal	FC Centrifugal	FC Centrifugal
No. Used/Diameter in. [mm]	1/12x9 [305x229]	1/12x9 [305x229]	1/12x9 [305x229]	1/12x9 [305x229]
Drive Type	Direct	Direct	Direct	Direct
No. Speeds	Multiple	Multiple	Multiple	Multiple
No. Motors	1	1	1	1
Motor HP	1/2	1/2	1/2	1/2
Motor RPM	1075	1075	1075	1075
Motor Frame Size	48	48	48	48
<b>Filter—Type</b>	Field Supplied	Field Supplied	Field Supplied	Field Supplied
Furnished	No	No	No	No
(NO.) Size Recommended in. [mm x mm x mm]	(1)1x24x24 [25x610x610]	(1)1x24x24 [25x610x610]	(1)1x24x24 [25x610x610]	(1)1x24x24 [25x610x610]
<b>Refrigerant Charge Oz. [g]</b>	52.7 [1494]	52.7 [1494]	52.7 [1494]	52.7 [1494]
<b>Weights</b>				
Net Weight lbs. [kg]	416 [189]	416 [189]	421 [191]	421 [191]
Ship Weight lbs. [kg]	426 [193]	426 [193]	431 [196]	431 [196]

See Page 36 for Notes.

[ ] Designates Metric Conversions

## NOMINAL SIZES 2-5 TONS [7.0-17.6 kW]

Model RGEA14 Series	036BDT061AA	036BDT06XAA	036BDT081AA	036BDT08XAA
<b>Cooling Performance<sup>1</sup></b>				<b>CONTINUED</b> →
Gross Cooling Capacity Btu [kW]	34,900 [10.23]	34,900 [10.23]	34,900 [10.23]	34,900 [10.23]
EER/SEER <sup>2</sup>	11/14	11/14	11/14	11/14
Nominal CFM/AHRI Rated CFM [L/s]	1200/1200 [566/566]	1200/1200 [566/566]	1200/1200 [566/566]	1200/1200 [566/566]
AHRI Net Cooling Capacity Btu [kW]	33,600 [9.85]	33,600 [9.85]	33,600 [9.85]	33,600 [9.85]
Net Sensible Capacity Btu [kW]	25,200 [7.39]	25,200 [7.39]	25,200 [7.39]	25,200 [7.39]
Net Latent Capacity Btu [kW]	8,400 [2.46]	8,400 [2.46]	8,400 [2.46]	8,400 [2.46]
Net System Power kW	3.05	3.05	3.05	3.05
<b>Heating Performance (Gas)<sup>3</sup></b>				
Heating Input Btu [kW]	60,000 [17.58]	60,000 [17.58]	80,000 [23.44]	80,000 [23.44]
Heating Output Btu [kW]	48,000 [14.06]	48,000 [14.06]	65,000 [19.04]	65,000 [19.04]
Temperature Rise Range °F [°C]	40-70 [22.2-38.9]	40-70 [22.2-38.9]	35-65 [19.4-36.1]	35-65 [19.4-36.1]
AFUE % <sup>4</sup>	81	81	81	81
Steady State Efficiency (%)	82	82	82	82
No. Burners	3	3	3	3
No. Stages	1	1	1	1
Gas Connection Pipe Size in. [mm]	0.5 [12.7]	0.5 [12.7]	0.5 [12.7]	0.5 [12.7]
<b>Compressor</b>				
No./Type	1/Scroll	1/Scroll	1/Scroll	1/Scroll
<b>Outdoor Sound Rating (dB)<sup>5</sup></b>	76	76	76	76
<b>Outdoor Coil—Fin Type</b>	Louvered	Louvered	Louvered	Louvered
Tube Type	MicroChannel	MicroChannel	MicroChannel	MicroChannel
MicroChannel Depth in. [mm]	0.71 [18]	0.71 [18]	0.71 [18]	0.71 [18]
Face Area sq. ft. [sq. m]	9.8 [0.91]	9.8 [0.91]	9.8 [0.91]	9.8 [0.91]
Rows / FPI [FPcm]	1 / 23 [9]	1 / 23 [9]	1 / 23 [9]	1 / 23 [9]
<b>Indoor Coil—Fin Type</b>	Louvered	Louvered	Louvered	Louvered
Tube Type	MicroChannel	MicroChannel	MicroChannel	MicroChannel
MicroChannel Depth in. [mm]	1 [25.4]	1 [25.4]	1 [25.4]	1 [25.4]
Face Area sq. ft. [sq. m]	3.6 [0.33]	3.6 [0.33]	3.6 [0.33]	3.6 [0.33]
Rows / FPI [FPcm]	1 / 17 [7]	1 / 17 [7]	1 / 17 [7]	1 / 17 [7]
Refrigerant Control	TX Valves	TX Valves	TX Valves	TX Valves
Drain Connection No./Size in. [mm]	1/0.75 [19.05]	1/0.75 [19.05]	1/0.75 [19.05]	1/0.75 [19.05]
<b>Outdoor Fan—Type</b>	Propeller	Propeller	Propeller	Propeller
No. Used/Diameter in. [mm]	1/22 [558.8]	1/22 [558.8]	1/22 [558.8]	1/22 [558.8]
Drive Type/No. Speeds	Direct/1	Direct/1	Direct/1	Direct/1
CFM [L/s]	2700 [1274]	2700 [1274]	2700 [1274]	2700 [1274]
No. Motors/HP	1 at 1/3 HP	1 at 1/3 HP	1 at 1/3 HP	1 at 1/3 HP
Motor RPM	1075	1075	1075	1075
<b>Indoor Fan—Type</b>	FC Centrifugal	FC Centrifugal	FC Centrifugal	FC Centrifugal
No. Used/Diameter in. [mm]	1/12x9 [305x229]	1/12x9 [305x229]	1/12x9 [305x229]	1/12x9 [305x229]
Drive Type	Direct	Direct	Direct	Direct
No. Speeds	Multiple	Multiple	Multiple	Multiple
No. Motors	1	1	1	1
Motor HP	1/2	1/2	1/2	1/2
Motor RPM	1075	1075	1075	1075
Motor Frame Size	48	48	48	48
<b>Filter—Type</b>	Field Supplied	Field Supplied	Field Supplied	Field Supplied
Furnished	No	No	No	No
(NO.) Size Recommended in. [mm x mm x mm]	(1)1x24x24 [25x610x610]	(1)1x24x24 [25x610x610]	(1)1x24x24 [25x610x610]	(1)1x24x24 [25x610x610]
<b>Refrigerant Charge Oz. [g]</b>	52.7 [1494]	52.7 [1494]	52.7 [1494]	52.7 [1494]
<b>Weights</b>				
Net Weight lbs. [kg]	411 [186]	411 [186]	416 [189]	416 [189]
Ship Weight lbs. [kg]	421 [191]	421 [191]	426 [193]	426 [193]

See Page 36 for Notes.

[ ] Designates Metric Conversions



## NOMINAL SIZES 2-5 TONS [7.0-17.6 kW]

Model RGEA14 Series	036BDT101AA	036BDT10XAA	042ACT081AA	042ACT08XAA
<b>Cooling Performance<sup>1</sup></b>				<b>CONTINUED</b> →
Gross Cooling Capacity Btu [kW]	34,900 [10.23]	34,900 [10.23]	40,100 [11.75]	40,100 [11.75]
EER/SEER <sup>2</sup>	11/14	11/14	11/14	11/14
Nominal CFM/AHRI Rated CFM [L/s]	1200/1200 [566/566]	1200/1200 [566/566]	1400/1300 [661/613]	1400/1300 [661/613]
AHRI Net Cooling Capacity Btu [kW]	33,600 [9.85]	33,600 [9.85]	39,000 [11.43]	39,000 [11.43]
Net Sensible Capacity Btu [kW]	25,200 [7.39]	25,200 [7.39]	29,250 [8.57]	29,250 [8.57]
Net Latent Capacity Btu [kW]	8,400 [2.46]	8,400 [2.46]	9,750 [2.86]	9,750 [2.86]
Net System Power kW	3.05	3.05	3.55	3.55
<b>Heating Performance (Gas)<sup>3</sup></b>				
Heating Input Btu [kW]	100,000 [29.3]	100,000 [29.3]	80,000 [23.44]	80,000 [23.44]
Heating Output Btu [kW]	81,000 [23.73]	81,000 [23.73]	65,000 [19.04]	65,000 [19.04]
Temperature Rise Range °F [°C]	45-75 [25-41.7]	45-75 [25-41.7]	35-65 [19.4-36.1]	35-65 [19.4-36.1]
AFUE % <sup>4</sup>	81	81	81	81
Steady State Efficiency (%)	82	82	82	82
No. Burners	3	3	4	4
No. Stages	1	1	1	1
Gas Connection Pipe Size in. [mm]	0.5 [12.7]	0.5 [12.7]	0.5 [12.7]	0.5 [12.7]
<b>Compressor</b>				
No./Type	1/Scroll	1/Scroll	1/Scroll	1/Scroll
<b>Outdoor Sound Rating (dB)<sup>5</sup></b>	76	76	76	76
<b>Outdoor Coil—Fin Type</b>	Louvered	Louvered	Louvered	Louvered
Tube Type	MicroChannel	MicroChannel	MicroChannel	MicroChannel
MicroChannel Depth in. [mm]	0.71 [18]	0.71 [18]	0.71 [18]	0.71 [18]
Face Area sq. ft. [sq. m]	9.8 [0.91]	9.8 [0.91]	14.1 [1.31]	14.1 [1.31]
Rows / FPI [FPcm]	1 / 23 [9]	1 / 23 [9]	1 / 23 [9]	1 / 23 [9]
<b>Indoor Coil—Fin Type</b>	Louvered	Louvered	Louvered	Louvered
Tube Type	MicroChannel	MicroChannel	MicroChannel	MicroChannel
MicroChannel Depth in. [mm]	1 [25.4]	1 [25.4]	1 [25.4]	1 [25.4]
Face Area sq. ft. [sq. m]	3.6 [0.33]	3.6 [0.33]	3.6 [0.33]	3.6 [0.33]
Rows / FPI [FPcm]	1 / 17 [7]	1 / 17 [7]	1 / 17 [7]	1 / 17 [7]
Refrigerant Control	TX Valves	TX Valves	TX Valves	TX Valves
Drain Connection No./Size in. [mm]	1/0.75 [19.05]	1/0.75 [19.05]	1/0.75 [19.05]	1/0.75 [19.05]
<b>Outdoor Fan—Type</b>	Propeller	Propeller	Propeller	Propeller
No. Used/Diameter in. [mm]	1/22 [558.8]	1/22 [558.8]	1/22 [558.8]	1/22 [558.8]
Drive Type/No. Speeds	Direct/1	Direct/1	Direct/1	Direct/1
CFM [L/s]	2700 [1274]	2700 [1274]	3500 [1652]	3500 [1652]
No. Motors/HP	1 at 1/3 HP	1 at 1/3 HP	1 at 1/3 HP	1 at 1/3 HP
Motor RPM	1075	1075	1075	1075
<b>Indoor Fan—Type</b>	FC Centrifugal	FC Centrifugal	FC Centrifugal	FC Centrifugal
No. Used/Diameter in. [mm]	1/12x9 [305x229]	1/12x9 [305x229]	1/12x9 [305x229]	1/12x9 [305x229]
Drive Type	Direct	Direct	Direct	Direct
No. Speeds	Multiple	Multiple	Multiple	Multiple
No. Motors	1	1	1	1
Motor HP	1/2	1/2	3/4	3/4
Motor RPM	1075	1075	1075	1075
Motor Frame Size	48	48	48	48
<b>Filter—Type</b>	Field Supplied	Field Supplied	Field Supplied	Field Supplied
Furnished	No	No	No	No
(NO.) Size Recommended in. [mm x mm x mm]	(1)1x24x24 [25x610x610]	(1)1x24x24 [25x610x610]	(1)1x24x24 [25x610x610]	(1)1x24x24 [25x610x610]
<b>Refrigerant Charge Oz. [g]</b>	52.7 [1494]	52.7 [1494]	53.6 [1520]	53.6 [1520]
<b>Weights</b>				
Net Weight lbs. [kg]	421 [191]	421 [191]	441 [200]	441 [200]
Ship Weight lbs. [kg]	431 [196]	431 [196]	451 [205]	451 [205]

See Page 36 for Notes.

[ ] Designates Metric Conversions

## NOMINAL SIZES 2-5 TONS [7.0-17.6 kW]

Model RGEA14 Series	042ACT101AA	042ACT10XAA	042AJT081AB	042AJT08XAB
<b>Cooling Performance<sup>1</sup></b>				<b>CONTINUED</b> →
Gross Cooling Capacity Btu [kW]	40,100 [11.75]	40,100 [11.75]	40,100 [11.75]	40,100 [11.75]
EER/SEER <sup>2</sup>	11/14	11/14	11/14	11/14
Nominal CFM/AHRI Rated CFM [L/s]	1400/1300 [661/613]	1400/1300 [661/613]	1400/1300 [661/613]	1400/1300 [661/613]
AHRI Net Cooling Capacity Btu [kW]	39,000 [11.43]	39,000 [11.43]	39,000 [11.43]	39,000 [11.43]
Net Sensible Capacity Btu [kW]	29,250 [8.57]	29,250 [8.57]	29,250 [8.57]	29,250 [8.57]
Net Latent Capacity Btu [kW]	9,750 [2.86]	9,750 [2.86]	9,750 [2.86]	9,750 [2.86]
Net System Power kW	3.55	3.55	3.55	3.55
<b>Heating Performance (Gas)<sup>3</sup></b>				
Heating Input Btu [kW]	100,000 [29.3]	100,000 [29.3]	80,000 [23.44]	80,000 [23.44]
Heating Output Btu [kW]	81,000 [23.73]	81,000 [23.73]	65,000 [19.04]	65,000 [19.04]
Temperature Rise Range °F [°C]	45-75 [25-41.7]	45-75 [25-41.7]	35-65 [19.4-36.1]	35-65 [19.4-36.1]
AFUE % <sup>4</sup>	81	81	81	81
Steady State Efficiency (%)	82	82	82	82
No. Burners	4	4	4	4
No. Stages	1	1	1	1
Gas Connection Pipe Size in. [mm]	0.5 [12.7]	0.5 [12.7]	0.5 [12.7]	0.5 [12.7]
<b>Compressor</b>				
No./Type	1/Scroll	1/Scroll	1/Scroll	1/Scroll
<b>Outdoor Sound Rating (dB)<sup>5</sup></b>	76	76	76	76
<b>Outdoor Coil—Fin Type</b>	Louvered	Louvered	Louvered	Louvered
Tube Type	MicroChannel	MicroChannel	MicroChannel	MicroChannel
MicroChannel Depth in. [mm]	0.71 [18]	0.71 [18]	0.71 [18]	0.71 [18]
Face Area sq. ft. [sq. m]	14.1 [1.31]	14.1 [1.31]	14.1 [1.31]	14.1 [1.31]
Rows / FPI [FPcm]	1 / 23 [9]	1 / 23 [9]	1 / 23 [9]	1 / 23 [9]
<b>Indoor Coil—Fin Type</b>	Louvered	Louvered	Louvered	Louvered
Tube Type	MicroChannel	MicroChannel	MicroChannel	MicroChannel
MicroChannel Depth in. [mm]	1 [25.4]	1 [25.4]	1 [25.4]	1 [25.4]
Face Area sq. ft. [sq. m]	3.6 [0.33]	3.6 [0.33]	3.6 [0.33]	3.6 [0.33]
Rows / FPI [FPcm]	1 / 17 [7]	1 / 17 [7]	1 / 17 [7]	1 / 17 [7]
Refrigerant Control	TX Valves	TX Valves	TX Valves	TX Valves
Drain Connection No./Size in. [mm]	1/0.75 [19.05]	1/0.75 [19.05]	1/0.75 [19.05]	1/0.75 [19.05]
<b>Outdoor Fan—Type</b>	Propeller	Propeller	Propeller	Propeller
No. Used/Diameter in. [mm]	1/22 [558.8]	1/22 [558.8]	1/22 [558.8]	1/22 [558.8]
Drive Type/No. Speeds	Direct/1	Direct/1	Direct/1	Direct/1
CFM [L/s]	3500 [1652]	3500 [1652]	3500 [1652]	3500 [1652]
No. Motors/HP	1 at 1/3 HP	1 at 1/3 HP	1 at 1/3 HP	1 at 1/3 HP
Motor RPM	1075	1075	1075	1075
<b>Indoor Fan—Type</b>	FC Centrifugal	FC Centrifugal	FC Centrifugal	FC Centrifugal
No. Used/Diameter in. [mm]	1/12x9 [305x229]	1/12x9 [305x229]	1/12x9 [305x229]	1/12x9 [305x229]
Drive Type	Direct	Direct	Direct	Direct
No. Speeds	Multiple	Multiple	Multiple	Multiple
No. Motors	1	1	1	1
Motor HP	3/4	3/4	3/4	3/4
Motor RPM	1075	1075	1075	1075
Motor Frame Size	48	48	48	48
<b>Filter—Type</b>	Field Supplied	Field Supplied	Field Supplied	Field Supplied
Furnished	No	No	No	No
(NO.) Size Recommended in. [mm x mm x mm]	(1)1x24x24 [25x610x610]	(1)1x24x24 [25x610x610]	(1)1x24x24 [25x610x610]	(1)1x24x24 [25x610x610]
<b>Refrigerant Charge Oz. [g]</b>	53.6 [1520]	53.6 [1520]	53.6 [1520]	53.6 [1520]
<b>Weights</b>				
Net Weight lbs. [kg]	446 [202]	446 [202]	441 [200]	441 [200]
Ship Weight lbs. [kg]	456 [207]	456 [207]	451 [205]	451 [205]

See Page 36 for Notes.

[ ] Designates Metric Conversions

## NOMINAL SIZES 2-5 TONS [7.0-17.6 kW]

Model RGEA14 Series	042AJT101AB	042AJT10XAB	048ACT081AA	048ACT08XAA
<b>Cooling Performance<sup>1</sup></b>				<b>CONTINUED</b> →
Gross Cooling Capacity Btu [kW]	40,100 [11.75]	40,100 [11.75]	46,000 [13.48]	46,000 [13.48]
EER/SEER <sup>2</sup>	11/14	11/14	11/14	11/14
Nominal CFM/AHRI Rated CFM [L/s]	1400/1300 [661/613]	1400/1300 [661/613]	1600/1550 [755/731]	1600/1550 [755/731]
AHRI Net Cooling Capacity Btu [kW]	39,000 [11.43]	39,000 [11.43]	44,500 [13.04]	44,500 [13.04]
Net Sensible Capacity Btu [kW]	29,250 [8.57]	29,250 [8.57]	31,150 [9.13]	31,150 [9.13]
Net Latent Capacity Btu [kW]	9,750 [2.86]	9,750 [2.86]	13,350 [3.91]	13,350 [3.91]
Net System Power kW	3.55	3.55	4.05	4.05
<b>Heating Performance (Gas)<sup>3</sup></b>				
Heating Input Btu [kW]	100,000 [29.3]	100,000 [29.3]	80,000 [23.44]	80,000 [23.44]
Heating Output Btu [kW]	81,000 [23.73]	81,000 [23.73]	65,000 [19.04]	65,000 [19.04]
Temperature Rise Range °F [°C]	45-75 [25-41.7]	45-75 [25-41.7]	35-65 [19.4-36.1]	35-65 [19.4-36.1]
AFUE % <sup>4</sup>	81	81	81	81
Steady State Efficiency (%)	82	82	82	82
No. Burners	4	4	4	4
No. Stages	1	1	1	1
Gas Connection Pipe Size in. [mm]	0.5 [12.7]	0.5 [12.7]	0.5 [12.7]	0.5 [12.7]
<b>Compressor</b>				
No./Type	1/Scroll	1/Scroll	1/Scroll	1/Scroll
<b>Outdoor Sound Rating (dB)<sup>5</sup></b>	76	76	78	78
<b>Outdoor Coil—Fin Type</b>	Louvered	Louvered	Louvered	Louvered
Tube Type	MicroChannel	MicroChannel	MicroChannel	MicroChannel
MicroChannel Depth in. [mm]	0.71 [18]	0.71 [18]	0.71 [18]	0.71 [18]
Face Area sq. ft. [sq. m]	14.1 [1.31]	14.1 [1.31]	16.3 [1.51]	16.3 [1.51]
Rows / FPI [FPcm]	1 / 23 [9]	1 / 23 [9]	1 / 23 [9]	1 / 23 [9]
<b>Indoor Coil—Fin Type</b>	Louvered	Louvered	Louvered	Louvered
Tube Type	MicroChannel	MicroChannel	MicroChannel	MicroChannel
MicroChannel Depth in. [mm]	1 [25.4]	1 [25.4]	1 [25.4]	1 [25.4]
Face Area sq. ft. [sq. m]	3.6 [0.33]	3.6 [0.33]	4.1 [0.38]	4.1 [0.38]
Rows / FPI [FPcm]	1 / 17 [7]	1 / 17 [7]	1 / 20 [8]	1 / 20 [8]
Refrigerant Control	TX Valves	TX Valves	TX Valves	TX Valves
Drain Connection No./Size in. [mm]	1/0.75 [19.05]	1/0.75 [19.05]	1/0.75 [19.05]	1/0.75 [19.05]
<b>Outdoor Fan—Type</b>	Propeller	Propeller	Propeller	Propeller
No. Used/Diameter in. [mm]	1/22 [558.8]	1/22 [558.8]	1/22 [558.8]	1/22 [558.8]
Drive Type/No. Speeds	Direct/1	Direct/1	Direct/1	Direct/1
CFM [L/s]	3500 [1652]	3500 [1652]	3300 [1557]	3300 [1557]
No. Motors/HP	1 at 1/3 HP	1 at 1/3 HP	1 at 1/3 HP	1 at 1/3 HP
Motor RPM	1075	1075	1075	1075
<b>Indoor Fan—Type</b>	FC Centrifugal	FC Centrifugal	FC Centrifugal	FC Centrifugal
No. Used/Diameter in. [mm]	1/12x9 [305x229]	1/12x9 [305x229]	1/12x9 [305x229]	1/12x9 [305x229]
Drive Type	Direct	Direct	Direct	Direct
No. Speeds	Multiple	Multiple	Multiple	Multiple
No. Motors	1	1	1	1
Motor HP	3/4	3/4	3/4	3/4
Motor RPM	1075	1075	1075	1075
Motor Frame Size	48	48	48	48
<b>Filter—Type</b>	Field Supplied	Field Supplied	Field Supplied	Field Supplied
Furnished	No	No	No	No
(NO.) Size Recommended in. [mm x mm x mm]	(1)1x24x24 [25x610x610]	(1)1x24x24 [25x610x610]	(1)1x24x24 [25x610x610]	(1)1x24x24 [25x610x610]
<b>Refrigerant Charge Oz. [g]</b>	53.6 [1520]	53.6 [1520]	69.3 [1965]	69.3 [1965]
<b>Weights</b>				
Net Weight lbs. [kg]	446 [202]	446 [202]	477 [216]	477 [216]
Ship Weight lbs. [kg]	456 [207]	456 [207]	487 [221]	487 [221]

See Page 36 for Notes.

[ ] Designates Metric Conversions

## NOMINAL SIZES 2-5 TONS [7.0-17.6 kW]

Model RGEA14 Series	048ACT101AA	048ACT10XAA	048ADT101AA	048ADT10XAA
<b>Cooling Performance<sup>1</sup></b>				<b>CONTINUED</b> →
Gross Cooling Capacity Btu [kW]	46,000 [13.48]	46,000 [13.48]	46,000 [13.48]	46,000 [13.48]
EER/SEER <sup>2</sup>	11/14	11/14	11/14	11/14
Nominal CFM/AHRI Rated CFM [L/s]	1600/1550 [755/731]	1600/1550 [755/731]	1600/1550 [755/731]	1600/1550 [755/731]
AHRI Net Cooling Capacity Btu [kW]	44,500 [13.04]	44,500 [13.04]	44,500 [13.04]	44,500 [13.04]
Net Sensible Capacity Btu [kW]	31,150 [9.13]	31,150 [9.13]	31,150 [9.13]	31,150 [9.13]
Net Latent Capacity Btu [kW]	13,350 [3.91]	13,350 [3.91]	13,350 [3.91]	13,350 [3.91]
Net System Power kW	4.05	4.05	4.05	4.05
<b>Heating Performance (Gas)<sup>3</sup></b>				
Heating Input Btu [kW]	100,000 [29.3]	100,000 [29.3]	100,000 [29.3]	100,000 [29.3]
Heating Output Btu [kW]	81,000 [23.73]	81,000 [23.73]	81,000 [23.73]	81,000 [23.73]
Temperature Rise Range °F [°C]	45-75 [25-41.7]	45-75 [25-41.7]	45-75 [25-41.7]	45-75 [25-41.7]
AFUE % <sup>4</sup>	81	81	81	81
Steady State Efficiency (%)	82	82	82	82
No. Burners	4	4	4	4
No. Stages	1	1	1	1
Gas Connection Pipe Size in. [mm]	0.5 [12.7]	0.5 [12.7]	0.5 [12.7]	0.5 [12.7]
<b>Compressor</b>				
No./Type	1/Scroll	1/Scroll	1/Scroll	1/Scroll
<b>Outdoor Sound Rating (dB)<sup>5</sup></b>	78	78	78	78
<b>Outdoor Coil—Fin Type</b>	Louvered	Louvered	Louvered	Louvered
Tube Type	MicroChannel	MicroChannel	MicroChannel	MicroChannel
MicroChannel Depth in. [mm]	0.71 [18]	0.71 [18]	0.71 [18]	0.71 [18]
Face Area sq. ft. [sq. m]	16.3 [1.51]	16.3 [1.51]	16.3 [1.51]	16.3 [1.51]
Rows / FPI [FPcm]	1 / 23 [9]	1 / 23 [9]	1 / 23 [9]	1 / 23 [9]
<b>Indoor Coil—Fin Type</b>	Louvered	Louvered	Louvered	Louvered
Tube Type	MicroChannel	MicroChannel	MicroChannel	MicroChannel
MicroChannel Depth in. [mm]	1 [25.4]	1 [25.4]	1 [25.4]	1 [25.4]
Face Area sq. ft. [sq. m]	4.1 [0.38]	4.1 [0.38]	4.1 [0.38]	4.1 [0.38]
Rows / FPI [FPcm]	1 / 20 [8]	1 / 20 [8]	1 / 20 [8]	1 / 20 [8]
Refrigerant Control	TX Valves	TX Valves	TX Valves	TX Valves
Drain Connection No./Size in. [mm]	1/0.75 [19.05]	1/0.75 [19.05]	1/0.75 [19.05]	1/0.75 [19.05]
<b>Outdoor Fan—Type</b>	Propeller	Propeller	Propeller	Propeller
No. Used/Diameter in. [mm]	1/22 [558.8]	1/22 [558.8]	1/22 [558.8]	1/22 [558.8]
Drive Type/No. Speeds	Direct/1	Direct/1	Direct/1	Direct/1
CFM [L/s]	3300 [1557]	3300 [1557]	3300 [1557]	3300 [1557]
No. Motors/HP	1 at 1/3 HP	1 at 1/3 HP	1 at 1/3 HP	1 at 1/3 HP
Motor RPM	1075	1075	1075	1075
<b>Indoor Fan—Type</b>	FC Centrifugal	FC Centrifugal	FC Centrifugal	FC Centrifugal
No. Used/Diameter in. [mm]	1/12x9 [305x229]	1/12x9 [305x229]	1/12x9 [305x229]	1/12x9 [305x229]
Drive Type	Direct	Direct	Direct	Direct
No. Speeds	Multiple	Multiple	Multiple	Multiple
No. Motors	1	1	1	1
Motor HP	3/4	3/4	3/4	3/4
Motor RPM	1075	1075	1075	1075
Motor Frame Size	48	48	48	48
<b>Filter—Type</b>	Field Supplied	Field Supplied	Field Supplied	Field Supplied
Furnished	No	No	No	No
(NO.) Size Recommended in. [mm x mm x mm]	(1)1x24x24 [25x610x610]	(1)1x24x24 [25x610x610]	(1)1x24x24 [25x610x610]	(1)1x24x24 [25x610x610]
<b>Refrigerant Charge Oz. [g]</b>	69.3 [1965]	69.3 [1965]	69.3 [1965]	69.3 [1965]
<b>Weights</b>				
Net Weight lbs. [kg]	482 [219]	482 [219]	482 [219]	482 [219]
Ship Weight lbs. [kg]	492 [223]	492 [223]	492 [223]	492 [223]

See Page 36 for Notes.

[ ] Designates Metric Conversions

## NOMINAL SIZES 2-5 TONS [7.0-17.6 kW]

Model RGEA14 Series	048AJT081AB	048AJT08XAB	048AJT101AB	048AJT10XAB
<b>Cooling Performance<sup>1</sup></b>				<b>CONTINUED</b> →
Gross Cooling Capacity Btu [kW]	46,000 [13.48]	46,000 [13.48]	46,000 [13.48]	46,000 [13.48]
EER/SEER <sup>2</sup>	11/14	11/14	11/14	11/14
Nominal CFM/AHRI Rated CFM [L/s]	1600/1550 [755/731]	1600/1550 [755/731]	1600/1550 [755/731]	1600/1550 [755/731]
AHRI Net Cooling Capacity Btu [kW]	44,500 [13.04]	44,500 [13.04]	44,500 [13.04]	44,500 [13.04]
Net Sensible Capacity Btu [kW]	31,150 [9.13]	31,150 [9.13]	31,150 [9.13]	31,150 [9.13]
Net Latent Capacity Btu [kW]	13,350 [3.91]	13,350 [3.91]	13,350 [3.91]	13,350 [3.91]
Net System Power kW	4.05	4.05	4.05	4.05
<b>Heating Performance (Gas)<sup>3</sup></b>				
Heating Input Btu [kW]	80,000 [23.44]	80,000 [23.44]	100,000 [29.3]	100,000 [29.3]
Heating Output Btu [kW]	65,000 [19.04]	65,000 [19.04]	81,000 [23.73]	81,000 [23.73]
Temperature Rise Range °F [°C]	35-65 [19.4-36.1]	35-65 [19.4-36.1]	45-75 [25-41.7]	45-75 [25-41.7]
AFUE % <sup>4</sup>	81	81	81	81
Steady State Efficiency (%)	82	82	82	82
No. Burners	4	4	4	4
No. Stages	1	1	1	1
Gas Connection Pipe Size in. [mm]	0.5 [12.7]	0.5 [12.7]	0.5 [12.7]	0.5 [12.7]
<b>Compressor</b>				
No./Type	1/Scroll	1/Scroll	1/Scroll	1/Scroll
<b>Outdoor Sound Rating (dB)<sup>5</sup></b>	78	78	78	78
<b>Outdoor Coil—Fin Type</b>	Louvered	Louvered	Louvered	Louvered
Tube Type	MicroChannel	MicroChannel	MicroChannel	MicroChannel
MicroChannel Depth in. [mm]	0.7 [17.8]	0.7 [17.8]	0.7 [17.8]	0.7 [17.8]
Face Area sq. ft. [sq. m]	16.3 [1.51]	16.3 [1.51]	16.3 [1.51]	16.3 [1.51]
Rows / FPI [FPcm]	1 / 23 [9]	1 / 23 [9]	1 / 23 [9]	1 / 23 [9]
<b>Indoor Coil—Fin Type</b>	Louvered	Louvered	Louvered	Louvered
Tube Type	MicroChannel	MicroChannel	MicroChannel	MicroChannel
MicroChannel Depth in. [mm]	1.26 [32]	1.26 [32]	1.26 [32]	1.26 [32]
Face Area sq. ft. [sq. m]	4.1 [0.38]	4.1 [0.38]	4.1 [0.38]	4.1 [0.38]
Rows / FPI [FPcm]	1 / 20 [8]	1 / 20 [8]	1 / 20 [8]	1 / 20 [8]
Refrigerant Control	TX Valves	TX Valves	TX Valves	TX Valves
Drain Connection No./Size in. [mm]	1/0.75 [19.05]	1/0.75 [19.05]	1/0.75 [19.05]	1/0.75 [19.05]
<b>Outdoor Fan—Type</b>	Propeller	Propeller	Propeller	Propeller
No. Used/Diameter in. [mm]	1/22 [558.8]	1/22 [558.8]	1/22 [558.8]	1/22 [558.8]
Drive Type/No. Speeds	Direct/1	Direct/1	Direct/1	Direct/1
CFM [L/s]	3300 [1557]	3300 [1557]	3300 [1557]	3300 [1557]
No. Motors/HP	1 at 1/3 HP	1 at 1/3 HP	1 at 1/3 HP	1 at 1/3 HP
Motor RPM	1075	1075	1075	1075
<b>Indoor Fan—Type</b>	FC Centrifugal	FC Centrifugal	FC Centrifugal	FC Centrifugal
No. Used/Diameter in. [mm]	1/12x9 [305x229]	1/12x9 [305x229]	1/12x9 [305x229]	1/12x9 [305x229]
Drive Type	Direct	Direct	Direct	Direct
No. Speeds	Multiple	Multiple	Multiple	Multiple
No. Motors	1	1	1	1
Motor HP	3/4	3/4	3/4	3/4
Motor RPM	1075	1075	1075	1075
Motor Frame Size	48	48	48	48
<b>Filter—Type</b>	Field Supplied	Field Supplied	Field Supplied	Field Supplied
Furnished	No	No	No	No
(NO.) Size Recommended in. [mm x mm x mm]	(1)1x24x24 [25x610x610]	(1)1x24x24 [25x610x610]	(1)1x24x24 [25x610x610]	(1)1x24x24 [25x610x610]
<b>Refrigerant Charge Oz. [g]</b>	85.3 [2418]	85.3 [2418]	85.3 [2418]	85.3 [2418]
<b>Weights</b>				
Net Weight lbs. [kg]	492 [223]	492 [223]	497 [225]	497 [225]
Ship Weight lbs. [kg]	502 [228]	502 [228]	507 [230]	507 [230]

See Page 36 for Notes.

[ ] Designates Metric Conversions

## NOMINAL SIZES 2-5 TONS [7.0-17.6 kW]

Model RGEA14 Series	048BCT081AA	048BCT08XAA	048BCT101AA	048BCT10XAA
<b>Cooling Performance<sup>1</sup></b>				<b>CONTINUED</b> →
Gross Cooling Capacity Btu [kW]	46,000 [13.48]	46,000 [13.48]	46,000 [13.48]	46,000 [13.48]
EER/SEER <sup>2</sup>	11/14	11/14	11/14	11/14
Nominal CFM/AHRI Rated CFM [L/s]	1600/1550 [755/731]	1600/1550 [755/731]	1600/1550 [755/731]	1600/1550 [755/731]
AHRI Net Cooling Capacity Btu [kW]	44,500 [13.04]	44,500 [13.04]	44,500 [13.04]	44,500 [13.04]
Net Sensible Capacity Btu [kW]	31,150 [9.13]	31,150 [9.13]	31,150 [9.13]	31,150 [9.13]
Net Latent Capacity Btu [kW]	13,350 [3.91]	13,350 [3.91]	13,350 [3.91]	13,350 [3.91]
Net System Power kW	4.05	4.05	4.05	4.05
<b>Heating Performance (Gas)<sup>3</sup></b>				
Heating Input Btu [kW]	80,000 [23.44]	80,000 [23.44]	100,000 [29.3]	100,000 [29.3]
Heating Output Btu [kW]	65,000 [19.04]	65,000 [19.04]	81,000 [23.73]	81,000 [23.73]
Temperature Rise Range °F [°C]	35-65 [19.4-36.1]	35-65 [19.4-36.1]	45-75 [25-41.7]	45-75 [25-41.7]
AFUE % <sup>4</sup>	81	81	81	81
Steady State Efficiency (%)	82	82	82	82
No. Burners	4	4	4	4
No. Stages	1	1	1	1
Gas Connection Pipe Size in. [mm]	0.5 [12.7]	0.5 [12.7]	0.5 [12.7]	0.5 [12.7]
<b>Compressor</b>				
No./Type	1/Scroll	1/Scroll	1/Scroll	1/Scroll
<b>Outdoor Sound Rating (dB)<sup>5</sup></b>	78	78	78	78
<b>Outdoor Coil—Fin Type</b>	Louvered	Louvered	Louvered	Louvered
Tube Type	MicroChannel	MicroChannel	MicroChannel	MicroChannel
MicroChannel Depth in. [mm]	0.71 [18]	0.71 [18]	0.71 [18]	0.71 [18]
Face Area sq. ft. [sq. m]	16.3 [1.51]	16.3 [1.51]	16.3 [1.51]	16.3 [1.51]
Rows / FPI [FPcm]	1 / 23 [9]	1 / 23 [9]	1 / 23 [9]	1 / 23 [9]
<b>Indoor Coil—Fin Type</b>	Louvered	Louvered	Louvered	Louvered
Tube Type	MicroChannel	MicroChannel	MicroChannel	MicroChannel
MicroChannel Depth in. [mm]	1.26 [32]	1.26 [32]	1.26 [32]	1.26 [32]
Face Area sq. ft. [sq. m]	4.1 [0.38]	4.1 [0.38]	4.1 [0.38]	4.1 [0.38]
Rows / FPI [FPcm]	1 / 20 [8]	1 / 20 [8]	1 / 20 [8]	1 / 20 [8]
Refrigerant Control	TX Valves	TX Valves	TX Valves	TX Valves
Drain Connection No./Size in. [mm]	1/0.75 [19.05]	1/0.75 [19.05]	1/0.75 [19.05]	1/0.75 [19.05]
<b>Outdoor Fan—Type</b>	Propeller	Propeller	Propeller	Propeller
No. Used/Diameter in. [mm]	1/22 [558.8]	1/22 [558.8]	1/22 [558.8]	1/22 [558.8]
Drive Type/No. Speeds	Direct/1	Direct/1	Direct/1	Direct/1
CFM [L/s]	3300 [1557]	3300 [1557]	3300 [1557]	3300 [1557]
No. Motors/HP	1 at 1/3 HP	1 at 1/3 HP	1 at 1/3 HP	1 at 1/3 HP
Motor RPM	1075	1075	1075	1075
<b>Indoor Fan—Type</b>	FC Centrifugal	FC Centrifugal	FC Centrifugal	FC Centrifugal
No. Used/Diameter in. [mm]	1/12x9 [305x229]	1/12x9 [305x229]	1/12x9 [305x229]	1/12x9 [305x229]
Drive Type	Direct	Direct	Direct	Direct
No. Speeds	Multiple	Multiple	Multiple	Multiple
No. Motors	1	1	1	1
Motor HP	3/4	3/4	3/4	3/4
Motor RPM	1075	1075	1075	1075
Motor Frame Size	48	48	48	48
<b>Filter—Type</b>	Field Supplied	Field Supplied	Field Supplied	Field Supplied
Furnished	No	No	No	No
(NO.) Size Recommended in. [mm x mm x mm]	(1)1x24x24 [25x610x610]	(1)1x24x24 [25x610x610]	(1)1x24x24 [25x610x610]	(1)1x24x24 [25x610x610]
<b>Refrigerant Charge Oz. [g]</b>	85.3 [2418]	85.3 [2418]	85.3 [2418]	85.3 [2418]
<b>Weights</b>				
Net Weight lbs. [kg]	492 [223]	492 [223]	497 [225]	497 [225]
Ship Weight lbs. [kg]	502 [228]	502 [228]	507 [230]	507 [230]

See Page 36 for Notes.

[ ] Designates Metric Conversions

## NOMINAL SIZES 2-5 TONS [7.0-17.6 kW]

Model RGEA14 Series	048BDT101AA	048BDT10XAA	060ACT101AA	060ACT10XAA
<b>Cooling Performance<sup>1</sup></b>				<b>CONTINUED</b> →
Gross Cooling Capacity Btu [kW]	46,000 [13.48]	46,000 [13.48]	56,400 [16.53]	56,400 [16.53]
EER/SEER <sup>2</sup>	11/14	11/14	11/14	11/14
Nominal CFM/AHRI Rated CFM [L/s]	1600/1550 [755/731]	1600/1550 [755/731]	2000/1700 [944/802]	2000/1700 [944/802]
AHRI Net Cooling Capacity Btu [kW]	44,500 [13.04]	44,500 [13.04]	54,500 [15.97]	54,500 [15.97]
Net Sensible Capacity Btu [kW]	31,150 [9.13]	31,150 [9.13]	38,150 [11.18]	38,150 [11.18]
Net Latent Capacity Btu [kW]	13,350 [3.91]	13,350 [3.91]	16,350 [4.79]	16,350 [4.79]
Net System Power kW	4.05	4.05	4.95	4.95
<b>Heating Performance (Gas)<sup>3</sup></b>				
Heating Input Btu [kW]	100,000 [29.3]	100,000 [29.3]	100,000 [29.3]	100,000 [29.3]
Heating Output Btu [kW]	81,000 [23.73]	81,000 [23.73]	81,000 [23.73]	81,000 [23.73]
Temperature Rise Range °F [°C]	45-75 [25-41.7]	45-75 [25-41.7]	45-75 [25-41.7]	45-75 [25-41.7]
AFUE % <sup>4</sup>	81	81	81	81
Steady State Efficiency (%)	82	82	82	82
No. Burners	4	4	5	5
No. Stages	1	1	1	1
Gas Connection Pipe Size in. [mm]	0.5 [12.7]	0.5 [12.7]	0.5 [12.7]	0.5 [12.7]
<b>Compressor</b>				
No./Type	1/Scroll	1/Scroll	1/Scroll	1/Scroll
<b>Outdoor Sound Rating (dB)<sup>5</sup></b>	78	78	79	79
<b>Outdoor Coil—Fin Type</b>	Louvered	Louvered	Louvered	Louvered
Tube Type	MicroChannel	MicroChannel	MicroChannel	MicroChannel
MicroChannel Depth in. [mm]	0.7 [17.8]	0.7 [17.8]	1 [25.4]	1 [25.4]
Face Area sq. ft. [sq. m]	16.3 [1.51]	16.3 [1.51]	15.3 [1.42]	15.3 [1.42]
Rows / FPI [FPcm]	1 / 23 [9]	1 / 23 [9]	1 / 23 [9]	1 / 23 [9]
<b>Indoor Coil—Fin Type</b>	Louvered	Louvered	Louvered	Louvered
Tube Type	MicroChannel	MicroChannel	MicroChannel	MicroChannel
MicroChannel Depth in. [mm]	1.26 [32]	1.26 [32]	1.26 [32]	1.26 [32]
Face Area sq. ft. [sq. m]	4.1 [0.38]	4.1 [0.38]	4 [0.37]	4 [0.37]
Rows / FPI [FPcm]	1 / 20 [8]	1 / 20 [8]	1 / 20 [8]	1 / 20 [8]
Refrigerant Control	TX Valves	TX Valves	TX Valves	TX Valves
Drain Connection No./Size in. [mm]	1/0.75 [19.05]	1/0.75 [19.05]	1/0.75 [19.05]	1/0.75 [19.05]
<b>Outdoor Fan—Type</b>	Propeller	Propeller	Propeller	Propeller
No. Used/Diameter in. [mm]	1/22 [558.8]	1/22 [558.8]	1/22 [558.8]	1/22 [558.8]
Drive Type/No. Speeds	Direct/1	Direct/1	Direct/1	Direct/1
CFM [L/s]	3300 [1557]	3300 [1557]	3400 [1604]	3400 [1604]
No. Motors/HP	1 at 1/3 HP	1 at 1/3 HP	1 at 1/3 HP	1 at 1/3 HP
Motor RPM	1075	1075	1075	1075
<b>Indoor Fan—Type</b>	FC Centrifugal	FC Centrifugal	FC Centrifugal	FC Centrifugal
No. Used/Diameter in. [mm]	1/12x9 [305x229]	1/12x9 [305x229]	1/12x9 [305x229]	1/12x9 [305x229]
Drive Type	Direct	Direct	Direct	Direct
No. Speeds	Multiple	Multiple	Multiple	Multiple
No. Motors	1	1	1	1
Motor HP	3/4	3/4	1	1
Motor RPM	1075	1075	1075	1075
Motor Frame Size	48	48	48	48
<b>Filter—Type</b>	Field Supplied	Field Supplied	Field Supplied	Field Supplied
Furnished	No	No	No	No
(NO.) Size Recommended in. [mm x mm x mm]	(1)1x24x24 [25x610x610]	(1)1x24x24 [25x610x610]	(1)1x24x30 [25x610x762]	(1)1x24x30 [25x610x762]
<b>Refrigerant Charge Oz. [g]</b>	85.3 [2418]	85.3 [2418]	83.1 [2356]	83.1 [2356]
<b>Weights</b>				
Net Weight lbs. [kg]	497 [225]	497 [225]	512 [232]	512 [232]
Ship Weight lbs. [kg]	507 [230]	507 [230]	522 [237]	522 [237]

See Page 36 for Notes.

[ ] Designates Metric Conversions



## NOMINAL SIZES 2-5 TONS [7.0-17.6 kW]

Model RGEA14 Series	060ADT101AA	060ADT10XAA	060AJT101AB	060AJT10XAB
<b>Cooling Performance<sup>1</sup></b>				
Gross Cooling Capacity Btu [kW]	56,400 [16.53]	56,400 [16.53]	56,400 [16.53]	56,400 [16.53]
EER/SEER <sup>2</sup>	11/14	11/14	11/14	11/14
Nominal CFM/AHRI Rated CFM [L/s]	2000/1700 [944/802]	2000/1700 [944/802]	2000/1700 [944/802]	2000/1700 [944/802]
AHRI Net Cooling Capacity Btu [kW]	54,500 [15.97]	54,500 [15.97]	54,500 [15.97]	54,500 [15.97]
Net Sensible Capacity Btu [kW]	38,150 [11.18]	38,150 [11.18]	38,150 [11.18]	38,150 [11.18]
Net Latent Capacity Btu [kW]	16,350 [4.79]	16,350 [4.79]	16,350 [4.79]	16,350 [4.79]
Net System Power kW	4.95	4.95	4.95	4.95
<b>Heating Performance (Gas)<sup>3</sup></b>				
Heating Input Btu [kW]	100,000 [29.3]	100,000 [29.3]	100,000 [29.3]	100,000 [29.3]
Heating Output Btu [kW]	81,000 [23.73]	81,000 [23.73]	81,000 [23.73]	81,000 [23.73]
Temperature Rise Range °F [°C]	45-75 [25-41.7]	45-75 [25-41.7]	45-75 [25-41.7]	45-75 [25-41.7]
AFUE % <sup>4</sup>	81	81	81	81
Steady State Efficiency (%)	82	82	82	82
No. Burners	5	5	5	5
No. Stages	1	1	1	1
Gas Connection Pipe Size in. [mm]	0.5 [12.7]	0.5 [12.7]	0.5 [12.7]	0.5 [12.7]
<b>Compressor</b>				
No./Type	1/Scroll	1/Scroll	1/Scroll	1/Scroll
<b>Outdoor Sound Rating (dB)<sup>5</sup></b>				
	79	79	78	78
<b>Outdoor Coil—Fin Type</b>				
Tube Type	Louvered	Louvered	Louvered	Louvered
MicroChannel Depth in. [mm]	MicroChannel	MicroChannel	MicroChannel	MicroChannel
Face Area sq. ft. [sq. m]	1 [25.4]	1 [25.4]	1 [25.4]	1 [25.4]
Rows / FPI [FPcm]	15.3 [1.42]	15.3 [1.42]	15.3 [1.42]	15.3 [1.42]
	1 / 23 [9]	1 / 23 [9]	1 / 23 [9]	1 / 23 [9]
<b>Indoor Coil—Fin Type</b>				
Tube Type	Louvered	Louvered	Louvered	Louvered
MicroChannel Depth in. [mm]	MicroChannel	MicroChannel	MicroChannel	MicroChannel
Face Area sq. ft. [sq. m]	1.26 [32]	1.26 [32]	1.26 [32]	1.26 [32]
Rows / FPI [FPcm]	4 [0.37]	4 [0.37]	4 [0.37]	4 [0.37]
	1 / 20 [8]	1 / 20 [8]	1 / 20 [8]	1 / 20 [8]
Refrigerant Control	TX Valves	TX Valves	TX Valves	TX Valves
Drain Connection No./Size in. [mm]	1/0.75 [19.05]	1/0.75 [19.05]	1/0.75 [19.05]	1/0.75 [19.05]
<b>Outdoor Fan—Type</b>				
No. Used/Diameter in. [mm]	Propeller	Propeller	Propeller	Propeller
Drive Type/No. Speeds	1/22 [558.8]	1/22 [558.8]	1/22 [558.8]	1/22 [558.8]
CFM [L/s]	Direct/1	Direct/1	Direct/1	Direct/1
No. Motors/HP	3400 [1604]	3400 [1604]	3300 [1557]	3300 [1557]
Motor RPM	1 at 1/3 HP	1 at 1/3 HP	1 at 1/3 HP	1 at 1/3 HP
	1075	1075	1075	1075
<b>Indoor Fan—Type</b>				
No. Used/Diameter in. [mm]	FC Centrifugal	FC Centrifugal	FC Centrifugal	FC Centrifugal
Drive Type	1/12x9 [305x229]	1/12x9 [305x229]	1/12x9 [305x229]	1/12x9 [305x229]
No. Speeds	Direct	Direct	Direct	Direct
No. Motors	Multiple	Multiple	Multiple	Multiple
Motor HP	1	1	1	1
Motor RPM	1	1	1	1
Motor Frame Size	1075	1075	1075	1075
	48	48	48	48
<b>Filter—Type</b>				
Furnished	Field Supplied	Field Supplied	Field Supplied	Field Supplied
(NO.) Size Recommended in. [mm x mm x mm]	No	No	No	No
	(1)1x24x30 [25x610x762]	(1)1x24x30 [25x610x762]	(1)1x24x30 [25x610x762]	(1)1x24x30 [25x610x762]
<b>Refrigerant Charge Oz. [g]</b>				
	83.1 [2356]	83.1 [2356]	89.6 [2540]	89.6 [2540]
<b>Weights</b>				
Net Weight lbs. [kg]	512 [232]	512 [232]	515 [234]	515 [234]
Ship Weight lbs. [kg]	522 [237]	522 [237]	525 [238]	525 [238]

See Page 36 for Notes.

[ ] Designates Metric Conversions

## NOMINAL SIZES 2-5 TONS [7.0-17.6 kW]

Model RGEA15 Series	024AJV061AB	024AJV06XAB	024AJV081AB	024AJV08XAB
<b>Cooling Performance<sup>1</sup></b>				<b>CONTINUED</b> →
Gross Cooling Capacity Btu [kW]	24,600 [7.21]	24,600 [7.21]	24,600 [7.21]	24,600 [7.21]
EER/SEER <sup>2</sup>	12/15	12/15	12/15	12/15
Nominal CFM/AHRI Rated CFM [L/s]	800/900 [378/425]	800/900 [378/425]	800/900 [378/425]	800/900 [378/425]
AHRI Net Cooling Capacity Btu [kW]	23,800 [6.98]	23,800 [6.98]	23,800 [6.98]	23,800 [6.98]
Net Sensible Capacity Btu [kW]	17,900 [5.25]	17,900 [5.25]	17,900 [5.25]	17,900 [5.25]
Net Latent Capacity Btu [kW]	5,900 [1.73]	5,900 [1.73]	5,900 [1.73]	5,900 [1.73]
Net System Power kW	1.98	1.98	1.98	1.98
<b>Heating Performance (Gas)<sup>3</sup></b>				
Heating Input Btu [kW]	60,000 [17.58]	60,000 [17.58]	80,000 [23.44]	80,000 [23.44]
Heating Output Btu [kW]	48,000 [14.06]	48,000 [14.06]	65,000 [19.04]	65,000 [19.04]
Temperature Rise Range °F [°C]	40-70 [22.2-38.9]	40-70 [22.2-38.9]	35-65 [19.4-36.1]	35-65 [19.4-36.1]
AFUE % <sup>4</sup>	81	81	81	81
Steady State Efficiency (%)	82	82	82	82
No. Burners	2	2	2	2
No. Stages	1	1	1	1
Gas Connection Pipe Size in. [mm]	0.5 [12.7]	0.5 [12.7]	0.5 [12.7]	0.5 [12.7]
<b>Compressor</b>				
No./Type	1/Scroll	1/Scroll	1/Scroll	1/Scroll
<b>Outdoor Sound Rating (dB)<sup>5</sup></b>	76	76	76	76
<b>Outdoor Coil—Fin Type</b>	Louvered	Louvered	Louvered	Louvered
Tube Type	MicroChannel	MicroChannel	MicroChannel	MicroChannel
MicroChannel Depth in. [mm]	0.71 [18]	0.71 [18]	0.71 [18]	0.71 [18]
Face Area sq. ft. [sq. m]	7.1 [0.66]	7.1 [0.66]	7.1 [0.66]	7.1 [0.66]
Rows / FPI [FPcm]	1 / 23 [9]	1 / 23 [9]	1 / 23 [9]	1 / 23 [9]
<b>Indoor Coil—Fin Type</b>	Louvered	Louvered	Louvered	Louvered
Tube Type	MicroChannel	MicroChannel	MicroChannel	MicroChannel
MicroChannel Depth in. [mm]	1 [25.4]	1 [25.4]	1 [25.4]	1 [25.4]
Face Area sq. ft. [sq. m]	3.6 [0.33]	3.6 [0.33]	3.6 [0.33]	3.6 [0.33]
Rows / FPI [FPcm]	1 / 17 [7]	1 / 17 [7]	1 / 17 [7]	1 / 17 [7]
Refrigerant Control	TX Valves	TX Valves	TX Valves	TX Valves
Drain Connection No./Size in. [mm]	1/0.75 [19.05]	1/0.75 [19.05]	1/0.75 [19.05]	1/0.75 [19.05]
<b>Outdoor Fan—Type</b>	Propeller	Propeller	Propeller	Propeller
No. Used/Diameter in. [mm]	1/22 [558.8]	1/22 [558.8]	1/22 [558.8]	1/22 [558.8]
Drive Type/No. Speeds	Direct/1	Direct/1	Direct/1	Direct/1
CFM [L/s]	2500 [1180]	2500 [1180]	2500 [1180]	2500 [1180]
No. Motors/HP	1 at 1/3 HP	1 at 1/3 HP	1 at 1/3 HP	1 at 1/3 HP
Motor RPM	1075	1075	1075	1075
<b>Indoor Fan—Type</b>	FC Centrifugal	FC Centrifugal	FC Centrifugal	FC Centrifugal
No. Used/Diameter in. [mm]	1/10x9 [254x229]	1/10x9 [254x229]	1/10x9 [254x229]	1/10x9 [254x229]
Drive Type	Direct	Direct	Direct	Direct
No. Speeds	Multiple	Multiple	Multiple	Multiple
No. Motors	1	1	1	1
Motor HP	1/2	1/2	1/2	1/2
Motor RPM	1050	1050	1050	1050
Motor Frame Size	48	48	48	48
<b>Filter—Type</b>	Field Supplied	Field Supplied	Field Supplied	Field Supplied
Furnished	No	No	No	No
(NO.) Size Recommended in. [mm x mm x mm]	(1)1x20x20 [25x508x508]	(1)1x20x20 [25x508x508]	(1)1x20x20 [25x508x508]	(1)1x20x20 [25x508x508]
<b>Refrigerant Charge Oz. [g]</b>	85.3 [2418]	42.6 [1208]	42.6 [1208]	42.6 [1208]
<b>Weights</b>				
Net Weight lbs. [kg]	497 [225]	403 [183]	408 [185]	408 [185]
Ship Weight lbs. [kg]	507 [230]	413 [187]	418 [190]	418 [190]

See Page 36 for Notes.

[ ] Designates Metric Conversions

## NOMINAL SIZES 2-5 TONS [7.0-17.6 kW]

Model RGEA15 Series	030AJV061AB	030AJV06XAB	030AJV081AB	030AJV08XAB
<b>Cooling Performance<sup>1</sup></b>				<b>CONTINUED</b> →
Gross Cooling Capacity Btu [kW]	29,600 [8.67]	29,600 [8.67]	29,600 [8.67]	29,600 [8.67]
EER/SEER <sup>2</sup>	12/15	12/15	12/15	12/15
Nominal CFM/AHRI Rated CFM [L/s]	1000/975 [472/640]	1000/975 [472/640]	1000/975 [472/640]	1000/975 [472/640]
AHRI Net Cooling Capacity Btu [kW]	28,600 [8.38]	28,600 [8.38]	28,600 [8.38]	28,600 [8.38]
Net Sensible Capacity Btu [kW]	21,200 [6.21]	21,200 [6.21]	21,200 [6.21]	21,200 [6.21]
Net Latent Capacity Btu [kW]	7,400 [2.17]	7,400 [2.17]	7,400 [2.17]	7,400 [2.17]
Net System Power kW	2.38	2.38	2.38	2.38
<b>Heating Performance (Gas)<sup>3</sup></b>				
Heating Input Btu [kW]	60,000 [17.58]	60,000 [17.58]	60,000 [17.58]	60,000 [17.58]
Heating Output Btu [kW]	48,000 [14.06]	48,000 [14.06]	48,000 [14.06]	48,000 [14.06]
Temperature Rise Range °F [°C]	40-70 [22.2-38.9]	40-70 [22.2-38.9]	40-70 [22.2-38.9]	40-70 [22.2-38.9]
AFUE % <sup>4</sup>	81	81	81	81
Steady State Efficiency (%)	82	82	82	82
No. Burners	3	3	3	3
No. Stages	1	1	1	1
Gas Connection Pipe Size in. [mm]	0.5 [12.7]	0.5 [12.7]	0.5 [12.7]	0.5 [12.7]
<b>Compressor</b>				
No./Type	1/Scroll	1/Scroll	1/Scroll	1/Scroll
<b>Outdoor Sound Rating (dB)<sup>5</sup></b>	76	76	76	76
<b>Outdoor Coil—Fin Type</b>	Louvered	Louvered	Louvered	Louvered
Tube Type	MicroChannel	MicroChannel	MicroChannel	MicroChannel
MicroChannel Depth in. [mm]	0.71 [18]	0.71 [18]	0.71 [18]	0.71 [18]
Face Area sq. ft. [sq. m]	9.9 [0.92]	9.9 [0.92]	9.9 [0.92]	9.9 [0.92]
Rows / FPI [FPcm]	1 / 23 [9]	1 / 23 [9]	1 / 23 [9]	1 / 23 [9]
<b>Indoor Coil—Fin Type</b>	Louvered	Louvered	Louvered	Louvered
Tube Type	MicroChannel	MicroChannel	MicroChannel	MicroChannel
MicroChannel Depth in. [mm]	1 [25.4]	1 [25.4]	1 [25.4]	1 [25.4]
Face Area sq. ft. [sq. m]	3.6 [0.33]	3.6 [0.33]	3.6 [0.33]	3.6 [0.33]
Rows / FPI [FPcm]	1 / 17 [7]	1 / 17 [7]	1 / 17 [7]	1 / 17 [7]
Refrigerant Control	TX Valves	TX Valves	TX Valves	TX Valves
Drain Connection No./Size in. [mm]	1/0.75 [19.05]	1/0.75 [19.05]	1/0.75 [19.05]	1/0.75 [19.05]
<b>Outdoor Fan—Type</b>	Propeller	Propeller	Propeller	Propeller
No. Used/Diameter in. [mm]	1/22 [558.8]	1/22 [558.8]	1/22 [558.8]	1/22 [558.8]
Drive Type/No. Speeds	Direct/1	Direct/1	Direct/1	Direct/1
CFM [L/s]	2500 [1180]	2500 [1180]	2500 [1180]	2500 [1180]
No. Motors/HP	1 at 1/3 HP	1 at 1/3 HP	1 at 1/3 HP	1 at 1/3 HP
Motor RPM	1075	1075	1075	1075
<b>Indoor Fan—Type</b>	FC Centrifugal	FC Centrifugal	FC Centrifugal	FC Centrifugal
No. Used/Diameter in. [mm]	1/10x9 [254x229]	1/10x9 [254x229]	1/10x9 [254x229]	1/10x9 [254x229]
Drive Type	Direct	Direct	Direct	Direct
No. Speeds	Multiple	Multiple	Multiple	Multiple
No. Motors	1	1	1	1
Motor HP	1/2	1/2	1/2	1/2
Motor RPM	1050	1050	1050	1050
Motor Frame Size	48	48	48	48
<b>Filter—Type</b>	Field Supplied	Field Supplied	Field Supplied	Field Supplied
Furnished	No	No	No	No
(NO.) Size Recommended in. [mm x mm x mm]	(1)1x24x24 [25x610x610]	(1)1x24x24 [25x610x610]	(1)1x24x24 [25x610x610]	(1)1x24x24 [25x610x610]
<b>Refrigerant Charge Oz. [g]</b>	46.8 [1327]	46.8 [1327]	46.8 [1327]	46.8 [1327]
<b>Weights</b>				
Net Weight lbs. [kg]	403 [183]	403 [183]	408 [185]	408 [185]
Ship Weight lbs. [kg]	413 [187]	413 [187]	418 [190]	418 [190]

See Page 36 for Notes.

[ ] Designates Metric Conversions

## NOMINAL SIZES 2-5 TONS [7.0-17.6 kW]

Model RGEA15 Series	036AJV061AB	036AJV06XAB	036AJV081AB	036AJV08XAB
<b>Cooling Performance<sup>1</sup></b>				<b>CONTINUED</b> →
Gross Cooling Capacity Btu [kW]	36,000 [10.55]	36,000 [10.55]	36,000 [10.55]	36,000 [10.55]
EER/SEER <sup>2</sup>	12/15	12/15	12/15	12/15
Nominal CFM/AHRI Rated CFM [L/s]	1200/1200 [566/566]	1200/1200 [566/566]	1200/1200 [566/566]	1200/1200 [566/566]
AHRI Net Cooling Capacity Btu [kW]	34,000 [9.96]	34,000 [9.96]	34,000 [9.96]	34,000 [9.96]
Net Sensible Capacity Btu [kW]	24,700 [7.24]	24,700 [7.24]	24,700 [7.24]	24,700 [7.24]
Net Latent Capacity Btu [kW]	9,300 [2.73]	9,300 [2.73]	9,300 [2.73]	9,300 [2.73]
Net System Power kW	2.83	2.83	2.83	2.83
<b>Heating Performance (Gas)<sup>3</sup></b>				
Heating Input Btu [kW]	60,000 [17.58]	60,000 [17.58]	80,000 [23.44]	60,000 [17.58]
Heating Output Btu [kW]	48,000 [14.06]	48,000 [14.06]	65,000 [19.04]	48,000 [14.06]
Temperature Rise Range °F [°C]	40-70 [22.2-38.9]	40-70 [22.2-38.9]	35-65 [19.4-36.1]	40-70 [22.2-38.9]
AFUE % <sup>4</sup>	81	81	81	81
Steady State Efficiency (%)	82	82	82	82
No. Burners	3	3	3	3
No. Stages	1	1	1	1
Gas Connection Pipe Size in. [mm]	0.5 [12.7]	0.5 [12.7]	0.5 [12.7]	0.5 [12.7]
<b>Compressor</b>				
No./Type	1/Scroll	1/Scroll	1/Scroll	1/Scroll
<b>Outdoor Sound Rating (dB)<sup>5</sup></b>	76	76	76	76
<b>Outdoor Coil—Fin Type</b>	Louvered	Louvered	Louvered	Louvered
Tube Type	MicroChannel	MicroChannel	MicroChannel	MicroChannel
MicroChannel Depth in. [mm]	0.71 [18]	0.71 [18]	0.71 [18]	0.71 [18]
Face Area sq. ft. [sq. m]	9.9 [0.92]	9.9 [0.92]	9.9 [0.92]	9.9 [0.92]
Rows / FPI [FPcm]	1 / 23 [9]	1 / 23 [9]	1 / 23 [9]	1 / 23 [9]
<b>Indoor Coil—Fin Type</b>	Louvered	Louvered	Louvered	Louvered
Tube Type	MicroChannel	MicroChannel	MicroChannel	MicroChannel
MicroChannel Depth in. [mm]	1 [25.4]	1 [25.4]	1 [25.4]	1 [25.4]
Face Area sq. ft. [sq. m]	3.6 [0.33]	3.6 [0.33]	3.6 [0.33]	3.6 [0.33]
Rows / FPI [FPcm]	1 / 17 [7]	1 / 17 [7]	1 / 17 [7]	1 / 17 [7]
Refrigerant Control	TX Valves	TX Valves	TX Valves	TX Valves
Drain Connection No./Size in. [mm]	1/0.75 [19.05]	1/0.75 [19.05]	1/0.75 [19.05]	1/0.75 [19.05]
<b>Outdoor Fan—Type</b>	Propeller	Propeller	Propeller	Propeller
No. Used/Diameter in. [mm]	1/22 [558.8]	1/22 [558.8]	1/22 [558.8]	1/22 [558.8]
Drive Type/No. Speeds	Direct/1	Direct/1	Direct/1	Direct/1
CFM [L/s]	2700 [1274]	2700 [1274]	2700 [1274]	2700 [1274]
No. Motors/HP	1 at 1/3 HP	1 at 1/3 HP	1 at 1/3 HP	1 at 1/3 HP
Motor RPM	1075	1075	1075	1075
<b>Indoor Fan—Type</b>	FC Centrifugal	FC Centrifugal	FC Centrifugal	FC Centrifugal
No. Used/Diameter in. [mm]	1/10x9 [254x229]	1/10x9 [254x229]	1/10x9 [254x229]	1/10x9 [254x229]
Drive Type	Direct	Direct	Direct	Direct
No. Speeds	Multiple	Multiple	Multiple	Multiple
No. Motors	1	1	1	1
Motor HP	1/2	1/2	3/4	3/4
Motor RPM	1050	1050	1050	1050
Motor Frame Size	48	48	48	48
<b>Filter—Type</b>	Field Supplied	Field Supplied	Field Supplied	Field Supplied
Furnished	No	No	No	No
(NO.) Size Recommended in. [mm x mm x mm]	(1)1x24x24 [25x610x610]	(1)1x24x24 [25x610x610]	(1)1x24x24 [25x610x610]	(1)1x24x24 [25x610x610]
<b>Refrigerant Charge Oz. [g]</b>	52.7 [1494]	46.8 [1327]	46.8 [1327]	46.8 [1327]
<b>Weights</b>				
Net Weight lbs. [kg]	411 [186]	411 [186]	416 [189]	416 [189]
Ship Weight lbs. [kg]	421 [191]	421 [191]	426 [193]	426 [193]

See Page 36 for Notes.

[ ] Designates Metric Conversions

## NOMINAL SIZES 2-5 TONS [7.0-17.6 kW]

Model RGEA15 Series	036AJV101AB	036AJV10XAB	036ACT061AA	036ACT06XAA
<b>Cooling Performance<sup>1</sup></b>				<b>CONTINUED</b> →
Gross Cooling Capacity Btu [kW]	36,000 [10.55]	36,000 [10.55]	36,000 [10.55]	36,000 [10.55]
EER/SEER <sup>2</sup>	12/15	12/15	12/15	12/15
Nominal CFM/AHRI Rated CFM [L/s]	1200/1200 [566/566]	1200/1200 [566/566]	1200/1200 [566/566]	1200/1200 [566/566]
AHRI Net Cooling Capacity Btu [kW]	34,000 [9.96]	34,000 [9.96]	34,200 [10.02]	34,200 [10.02]
Net Sensible Capacity Btu [kW]	24,700 [7.24]	24,700 [7.24]	24,800 [7.27]	24,800 [7.27]
Net Latent Capacity Btu [kW]	9,300 [2.73]	9,300 [2.73]	9,400 [2.75]	9,400 [2.75]
Net System Power kW	2.83	2.83	2.85	2.85
<b>Heating Performance (Gas)<sup>3</sup></b>				
Heating Input Btu [kW]	100,000 [29.3]	100,000 [29.3]	60,000 [17.58]	60,000 [17.58]
Heating Output Btu [kW]	81,000 [23.73]	81,000 [23.73]	48,000 [14.06]	48,000 [14.06]
Temperature Rise Range °F [°C]	45-75 [25-41.7]	45-75 [25-41.7]	40-70 [22.2-38.9]	40-70 [22.2-38.9]
AFUE % <sup>4</sup>	81	81	81	81
Steady State Efficiency (%)	82	82	82	82
No. Burners	3	3	3	3
No. Stages	1	1	1	1
Gas Connection Pipe Size in. [mm]	0.5 [12.7]	0.5 [12.7]	0.5 [12.7]	0.5 [12.7]
<b>Compressor</b>				
No./Type	1/Scroll	1/Scroll	1/Scroll	1/Scroll
<b>Outdoor Sound Rating (dB)<sup>5</sup></b>	76	76	76	76
<b>Outdoor Coil—Fin Type</b>	Louvered	Louvered	Louvered	Louvered
Tube Type	MicroChannel	MicroChannel	MicroChannel	MicroChannel
MicroChannel Depth in. [mm]	0.71 [18]	0.71 [18]	0.71 [18]	0.71 [18]
Face Area sq. ft. [sq. m]	9.8 [0.91]	9.8 [0.91]	9.8 [0.91]	9.8 [0.91]
Rows / FPI [FPcm]	1 / 23 [9]	1 / 23 [9]	1 / 23 [9]	1 / 23 [9]
<b>Indoor Coil—Fin Type</b>	Louvered	Louvered	Louvered	Louvered
Tube Type	MicroChannel	MicroChannel	MicroChannel	MicroChannel
MicroChannel Depth in. [mm]	1 [25.4]	1 [25.4]	1 [25.4]	1 [25.4]
Face Area sq. ft. [sq. m]	3.6 [0.33]	3.6 [0.33]	3.6 [0.33]	3.6 [0.33]
Rows / FPI [FPcm]	1 / 17 [7]	1 / 17 [7]	1 / 17 [7]	1 / 17 [7]
Refrigerant Control	TX Valves	TX Valves	TX Valves	TX Valves
Drain Connection No./Size in. [mm]	1/0.75 [19.05]	1/0.75 [19.05]	1/0.75 [19.05]	1/0.75 [19.05]
<b>Outdoor Fan—Type</b>	Propeller	Propeller	Propeller	Propeller
No. Used/Diameter in. [mm]	1/22 [558.8]	1/22 [558.8]	1/22 [558.8]	1/22 [558.8]
Drive Type/No. Speeds	Direct/1	Direct/1	Direct/1	Direct/1
CFM [L/s]	2700 [1274]	2700 [1274]	2700 [1274]	2700 [1274]
No. Motors/HP	1 at 1/3 HP	1 at 1/3 HP	1 at 1/3 HP	1 at 1/3 HP
Motor RPM	1075	1075	1075	1075
<b>Indoor Fan—Type</b>	FC Centrifugal	FC Centrifugal	FC Centrifugal	FC Centrifugal
No. Used/Diameter in. [mm]	1/10x9 [254x229]	1/10x9 [254x229]	1/12x9 [305x229]	1/12x9 [305x229]
Drive Type	Direct	Direct	Direct	Direct
No. Speeds	Multiple	Multiple	Multiple	Multiple
No. Motors	1	1	1	1
Motor HP	3/4	3/4	1/2	1/2
Motor RPM	1050	1050	1075	1075
Motor Frame Size	48	48	48	48
<b>Filter—Type</b>	Field Supplied	Field Supplied	Field Supplied	Field Supplied
Furnished	No	No	No	No
(NO.) Size Recommended in. [mm x mm x mm]	(1)1x24x24 [25x610x610]	(1)1x24x24 [25x610x610]	(1)1x24x24 [25x610x610]	(1)1x24x24 [25x610x610]
<b>Refrigerant Charge Oz. [g]</b>	52.7 [1494]	52.7 [1494]	52.7 [1494]	52.7 [1494]
<b>Weights</b>				
Net Weight lbs. [kg]	421 [191]	421 [191]	411 [186]	411 [186]
Ship Weight lbs. [kg]	431 [196]	431 [196]	421 [191]	421 [191]

See Page 36 for Notes.

[ ] Designates Metric Conversions

## NOMINAL SIZES 2-5 TONS [7.0-17.6 kW]

Model RGEA15 Series	036ACT081AA	036ACT08XAA	036ACT101AA	036ACT10XAA
<b>Cooling Performance<sup>1</sup></b>				<b>CONTINUED</b> →
Gross Cooling Capacity Btu [kW]	36,000 [10.55]	36,000 [10.55]	36,000 [10.55]	36,000 [10.55]
EER/SEER <sup>2</sup>	12/15	12/15	12/15	12/15
Nominal CFM/AHRI Rated CFM [L/s]	1200/1200 [566/566]	1200/1200 [566/566]	1200/1200 [566/566]	1200/1200 [566/566]
AHRI Net Cooling Capacity Btu [kW]	34,200 [10.02]	34,200 [10.02]	34,200 [10.02]	34,200 [10.02]
Net Sensible Capacity Btu [kW]	24,800 [7.27]	24,800 [7.27]	24,800 [7.27]	24,800 [7.27]
Net Latent Capacity Btu [kW]	9,400 [2.75]	9,400 [2.75]	9,400 [2.75]	9,400 [2.75]
Net System Power kW	2.85	2.85	2.85	2.85
<b>Heating Performance (Gas)<sup>3</sup></b>				
Heating Input Btu [kW]	80,000 [23.44]	80,000 [23.44]	100,000 [29.3]	100,000 [29.3]
Heating Output Btu [kW]	65,000 [19.04]	65,000 [19.04]	81,000 [23.73]	81,000 [23.73]
Temperature Rise Range °F [°C]	35-65 [19.4-36.1]	35-65 [19.4-36.1]	45-75 [25-41.7]	45-75 [25-41.7]
AFUE % <sup>4</sup>	81	81	81	81
Steady State Efficiency (%)	82	82	82	82
No. Burners	3	3	3	3
No. Stages	1	1	1	1
Gas Connection Pipe Size in. [mm]	0.5 [12.7]	0.5 [12.7]	0.5 [12.7]	0.5 [12.7]
<b>Compressor</b>				
No./Type	1/Scroll	1/Scroll	1/Scroll	1/Scroll
<b>Outdoor Sound Rating (dB)<sup>5</sup></b>	76	76	76	76
<b>Outdoor Coil—Fin Type</b>	Louvered	Louvered	Louvered	Louvered
Tube Type	MicroChannel	MicroChannel	MicroChannel	MicroChannel
MicroChannel Depth in. [mm]	0.71 [18]	0.71 [18]	0.71 [18]	0.71 [18]
Face Area sq. ft. [sq. m]	9.8 [0.91]	9.8 [0.91]	9.8 [0.91]	9.8 [0.91]
Rows / FPI [FPcm]	1 / 23 [9]	1 / 23 [9]	1 / 23 [9]	1 / 23 [9]
<b>Indoor Coil—Fin Type</b>	Louvered	Louvered	Louvered	Louvered
Tube Type	MicroChannel	MicroChannel	MicroChannel	MicroChannel
MicroChannel Depth in. [mm]	1 [25.4]	1 [25.4]	1 [25.4]	1 [25.4]
Face Area sq. ft. [sq. m]	3.6 [0.33]	3.6 [0.33]	3.6 [0.33]	3.6 [0.33]
Rows / FPI [FPcm]	1 / 17 [7]	1 / 17 [7]	1 / 17 [7]	1 / 17 [7]
Refrigerant Control	TX Valves	TX Valves	TX Valves	TX Valves
Drain Connection No./Size in. [mm]	1/0.75 [19.05]	1/0.75 [19.05]	1/0.75 [19.05]	1/0.75 [19.05]
<b>Outdoor Fan—Type</b>	Propeller	Propeller	Propeller	Propeller
No. Used/Diameter in. [mm]	1/22 [558.8]	1/22 [558.8]	1/22 [558.8]	1/22 [558.8]
Drive Type/No. Speeds	Direct/1	Direct/1	Direct/1	Direct/1
CFM [L/s]	2700 [1274]	2700 [1274]	2700 [1274]	2700 [1274]
No. Motors/HP	1 at 1/3 HP	1 at 1/3 HP	1 at 1/3 HP	1 at 1/3 HP
Motor RPM	1075	1075	1075	1075
<b>Indoor Fan—Type</b>	FC Centrifugal	FC Centrifugal	FC Centrifugal	FC Centrifugal
No. Used/Diameter in. [mm]	1/12x9 [305x229]	1/12x9 [305x229]	1/12x9 [305x229]	1/12x9 [305x229]
Drive Type	Direct	Direct	Direct	Direct
No. Speeds	Multiple	Multiple	Multiple	Multiple
No. Motors	1	1	1	1
Motor HP	1/2	1/2	1/2	1/2
Motor RPM	1075	1075	1075	1075
Motor Frame Size	48	48	48	48
<b>Filter—Type</b>	Field Supplied	Field Supplied	Field Supplied	Field Supplied
Furnished	No	No	No	No
(NO.) Size Recommended in. [mm x mm x mm]	(1)1x24x24 [25x610x610]	(1)1x24x24 [25x610x610]	(1)1x24x24 [25x610x610]	(1)1x24x24 [25x610x610]
<b>Refrigerant Charge Oz. [g]</b>	52.7 [1494]	52.7 [1494]	52.7 [1494]	52.7 [1494]
<b>Weights</b>				
Net Weight lbs. [kg]	416 [189]	416 [189]	421 [191]	421 [191]
Ship Weight lbs. [kg]	426 [193]	426 [193]	431 [196]	431 [196]

See Page 36 for Notes.

[ ] Designates Metric Conversions

## NOMINAL SIZES 2-5 TONS [7.0-17.6 kW]

Model RGEA15 Series	036ADT061AA	036ADT06XAA	036ADT081AA	036ADT08XAA
<b>Cooling Performance<sup>1</sup></b>				<b>CONTINUED</b> →
Gross Cooling Capacity Btu [kW]	36,000 [10.55]	36,000 [10.55]	36,000 [10.55]	36,000 [10.55]
EER/SEER <sup>2</sup>	12/15	12/15	12/15	12/15
Nominal CFM/AHRI Rated CFM [L/s]	1200/1200 [566/566]	1200/1200 [566/566]	1200/1200 [566/566]	1200/1200 [566/566]
AHRI Net Cooling Capacity Btu [kW]	34,200 [10.02]	34,200 [10.02]	34,200 [10.02]	34,200 [10.02]
Net Sensible Capacity Btu [kW]	24,800 [7.27]	24,800 [7.27]	24,800 [7.27]	24,800 [7.27]
Net Latent Capacity Btu [kW]	9,400 [2.75]	9,400 [2.75]	9,400 [2.75]	9,400 [2.75]
Net System Power kW	2.85	2.85	2.85	2.85
<b>Heating Performance (Gas)<sup>3</sup></b>				
Heating Input Btu [kW]	60,000 [17.58]	60,000 [17.58]	80,000 [23.44]	80,000 [23.44]
Heating Output Btu [kW]	48,000 [14.06]	48,000 [14.06]	65,000 [19.04]	65,000 [19.04]
Temperature Rise Range °F [°C]	40-70 [22.2-38.9]	40-70 [22.2-38.9]	35-65 [19.4-36.1]	35-65 [19.4-36.1]
AFUE % <sup>4</sup>	81	81	81	81
Steady State Efficiency (%)	82	82	82	82
No. Burners	3	3	3	3
No. Stages	1	1	1	1
Gas Connection Pipe Size in. [mm]	0.5 [12.7]	0.5 [12.7]	0.5 [12.7]	0.5 [12.7]
<b>Compressor</b>				
No./Type	1/Scroll	1/Scroll	1/Scroll	1/Scroll
<b>Outdoor Sound Rating (dB)<sup>5</sup></b>	76	76	76	76
<b>Outdoor Coil—Fin Type</b>	Louvered	Louvered	Louvered	Louvered
Tube Type	MicroChannel	MicroChannel	MicroChannel	MicroChannel
MicroChannel Depth in. [mm]	0.71 [18]	0.71 [18]	0.71 [18]	0.71 [18]
Face Area sq. ft. [sq. m]	9.8 [0.91]	9.8 [0.91]	9.8 [0.91]	9.8 [0.91]
Rows / FPI [FPcm]	1 / 23 [9]	1 / 23 [9]	1 / 23 [9]	1 / 23 [9]
<b>Indoor Coil—Fin Type</b>	Louvered	Louvered	Louvered	Louvered
Tube Type	MicroChannel	MicroChannel	MicroChannel	MicroChannel
MicroChannel Depth in. [mm]	1 [25.4]	1 [25.4]	1 [25.4]	1 [25.4]
Face Area sq. ft. [sq. m]	3.6 [0.33]	3.6 [0.33]	3.6 [0.33]	3.6 [0.33]
Rows / FPI [FPcm]	1 / 17 [7]	1 / 17 [7]	1 / 17 [7]	1 / 17 [7]
Refrigerant Control	TX Valves	TX Valves	TX Valves	TX Valves
Drain Connection No./Size in. [mm]	1/0.75 [19.05]	1/0.75 [19.05]	1/0.75 [19.05]	1/0.75 [19.05]
<b>Outdoor Fan—Type</b>	Propeller	Propeller	Propeller	Propeller
No. Used/Diameter in. [mm]	1/22 [558.8]	1/22 [558.8]	1/22 [558.8]	1/22 [558.8]
Drive Type/No. Speeds	Direct/1	Direct/1	Direct/1	Direct/1
CFM [L/s]	2700 [1274]	2700 [1274]	2700 [1274]	2700 [1274]
No. Motors/HP	1 at 1/3 HP	1 at 1/3 HP	1 at 1/3 HP	1 at 1/3 HP
Motor RPM	1075	1075	1075	1075
<b>Indoor Fan—Type</b>	FC Centrifugal	FC Centrifugal	FC Centrifugal	FC Centrifugal
No. Used/Diameter in. [mm]	1/12x9 [305x229]	1/12x9 [305x229]	1/12x9 [305x229]	1/12x9 [305x229]
Drive Type	Direct	Direct	Direct	Direct
No. Speeds	Multiple	Multiple	Multiple	Multiple
No. Motors	1	1	1	1
Motor HP	1/2	1/2	1/2	1/2
Motor RPM	1075	1075	1075	1075
Motor Frame Size	48	48	48	48
<b>Filter—Type</b>	Field Supplied	Field Supplied	Field Supplied	Field Supplied
Furnished	No	No	No	No
(NO.) Size Recommended in. [mm x mm x mm]	(1)1x24x24 [25x610x610]	(1)1x24x24 [25x610x610]	(1)1x24x24 [25x610x610]	(1)1x24x24 [25x610x610]
<b>Refrigerant Charge Oz. [g]</b>	52.7 [1494]	52.7 [1494]	52.7 [1494]	52.7 [1494]
<b>Weights</b>				
Net Weight lbs. [kg]	411 [186]	411 [186]	416 [189]	416 [189]
Ship Weight lbs. [kg]	421 [191]	421 [191]	426 [193]	426 [193]

See Page 36 for Notes.

[ ] Designates Metric Conversions



## NOMINAL SIZES 2-5 TONS [7.0-17.6 kW]

Model RGEA15 Series	036ADT101AA	036ADT10XAA	042AJV081AB	042AJV08XAB
<b>Cooling Performance<sup>1</sup></b>				<b>CONTINUED</b> →
Gross Cooling Capacity Btu [kW]	36,000 [10.55]	36,000 [10.55]	41,000 [12.01]	41,000 [12.01]
EER/SEER <sup>2</sup>	12/15	12/15	12/14.7	12/14.7
Nominal CFM/AHRI Rated CFM [L/s]	1200/1200 [566/566]	1200/1200 [566/566]	1400/1300 [661/613]	1400/1300 [661/613]
AHRI Net Cooling Capacity Btu [kW]	34,200 [10.02]	34,200 [10.02]	39,500 [11.58]	39,500 [11.58]
Net Sensible Capacity Btu [kW]	24,800 [7.27]	24,800 [7.27]	28,200 [8.26]	28,200 [8.26]
Net Latent Capacity Btu [kW]	9,400 [2.75]	9,400 [2.75]	11,300 [2.75]	11,300 [2.75]
Net System Power kW	2.85	2.85	3.29	3.29
<b>Heating Performance (Gas)<sup>3</sup></b>				
Heating Input Btu [kW]	100,000 [29.3]	100,000 [29.3]	80,000 [23.44]	80,000 [23.44]
Heating Output Btu [kW]	81,000 [23.73]	81,000 [23.73]	65,000 [19.04]	65,000 [19.04]
Temperature Rise Range °F [°C]	45-75 [25-41.7]	45-75 [25-41.7]	35-65 [19.4-36.1]	35-65 [19.4-36.1]
AFUE % <sup>4</sup>	81	81	81	81
Steady State Efficiency (%)	82	82	82	82
No. Burners	3	3	4	4
No. Stages	1	1	1	1
Gas Connection Pipe Size in. [mm]	0.5 [12.7]	0.5 [12.7]	0.5 [12.7]	0.5 [12.7]
<b>Compressor</b>				
No./Type	1/Scroll	1/Scroll	1/Scroll	1/Scroll
<b>Outdoor Sound Rating (dB)<sup>5</sup></b>	76	76	76	76
<b>Outdoor Coil—Fin Type</b>	Louvered	Louvered	Louvered	Louvered
Tube Type	MicroChannel	MicroChannel	MicroChannel	MicroChannel
MicroChannel Depth in. [mm]	0.71 [18]	0.71 [18]	0.71 [18]	0.71 [18]
Face Area sq. ft. [sq. m]	9.8 [0.91]	9.8 [0.91]	14.1 [1.31]	14.1 [1.31]
Rows / FPI [FPcm]	1 / 23 [9]	1 / 23 [9]	1 / 23 [9]	1 / 23 [9]
<b>Indoor Coil—Fin Type</b>	Louvered	Louvered		
Tube Type	MicroChannel	MicroChannel	MicroChannel	MicroChannel
MicroChannel Depth in. [mm]	1 [25.4]	1 [25.4]	1 [25.4]	1 [25.4]
Face Area sq. ft. [sq. m]	3.6 [0.33]	3.6 [0.33]	3.6 [0.33]	3.6 [0.33]
Rows / FPI [FPcm]	1 / 17 [7]	1 / 17 [7]	1 / 17 [7]	1 / 17 [7]
Refrigerant Control	TX Valves	TX Valves	TX Valves	TX Valves
Drain Connection No./Size in. [mm]	1/0.75 [19.05]	1/0.75 [19.05]	1/0.75 [19.05]	1/0.75 [19.05]
<b>Outdoor Fan—Type</b>	Propeller	Propeller	Propeller	Propeller
No. Used/Diameter in. [mm]	1/22 [558.8]	1/22 [558.8]	1/22 [558.8]	1/22 [558.8]
Drive Type/No. Speeds	Direct/1	Direct/1	Direct/1	Direct/1
CFM [L/s]	2700 [1274]	2700 [1274]	3500 [1652]	3500 [1652]
No. Motors/HP	1 at 1/3 HP	1 at 1/3 HP	1 at 1/3 HP	1 at 1/3 HP
Motor RPM	1075	1075	1075	1075
<b>Indoor Fan—Type</b>	FC Centrifugal	FC Centrifugal	FC Centrifugal	FC Centrifugal
No. Used/Diameter in. [mm]	1/12x9 [305x229]	1/12x9 [305x229]	1/12x9 [305x229]	1/12x9 [305x229]
Drive Type	Direct	Direct	Direct	Direct
No. Speeds	Multiple	Multiple	Multiple	Multiple
No. Motors	1	1	1	1
Motor HP	1/2	1/2	3/4	3/4
Motor RPM	1075	1075	1075	1075
Motor Frame Size	48	48	48	48
<b>Filter—Type</b>	Field Supplied	Field Supplied	Field Supplied	Field Supplied
Furnished	No	No	No	No
(NO.) Size Recommended in. [mm x mm x mm]	(1)1x24x24 [25x610x610]	(1)1x24x24 [25x610x610]	(1)1x24x24 [25x610x610]	(1)1x24x24 [25x610x610]
<b>Refrigerant Charge Oz. [g]</b>	52.7 [1494]	52.7 [1494]	61.3 [1738]	61.3 [1738]
<b>Weights</b>				
Net Weight lbs. [kg]	421 [191]	421 [191]	445 [202]	445 [202]
Ship Weight lbs. [kg]	431 [196]	431 [196]	455 [206]	455 [206]

See Page 36 for Notes.

[ ] Designates Metric Conversions

## NOMINAL SIZES 2-5 TONS [7.0-17.6 kW]

Model RGEA15 Series	042AJV101AB	042AJV10XAB	042ACT081AA	042ACT08XAA
<b>Cooling Performance<sup>1</sup></b>				<b>CONTINUED</b> →
Gross Cooling Capacity Btu [kW]	41,000 [12.01]	41,000 [12.01]	41,000 [12.01]	41,000 [12.01]
EER/SEER <sup>2</sup>	12/14.7	12/14.7	12/14.7	12/14.7
Nominal CFM/AHRI Rated CFM [L/s]	1400/1300 [661/613]	1400/1300 [661/613]	1400/1300 [661/613]	1400/1300 [661/613]
AHRI Net Cooling Capacity Btu [kW]	39,500 [11.58]	39,500 [11.58]	39,500 [11.58]	39,500 [11.58]
Net Sensible Capacity Btu [kW]	28,200 [8.26]	28,200 [8.26]	28,200 [8.26]	28,200 [8.26]
Net Latent Capacity Btu [kW]	11,300 [2.75]	11,300 [2.75]	11,300 [2.75]	11,300 [2.75]
Net System Power kW	3.29	3.29	3.29	3.29
<b>Heating Performance (Gas)<sup>3</sup></b>				
Heating Input Btu [kW]	100,000 [29.3]	100,000 [29.3]	80,000 [23.44]	80,000 [23.44]
Heating Output Btu [kW]	81,000 [23.73]	81,000 [23.73]	65,000 [19.04]	65,000 [19.04]
Temperature Rise Range °F [°C]	45-75 [25-41.7]	45-75 [25-41.7]	35-65 [19.4-36.1]	35-65 [19.4-36.1]
AFUE % <sup>4</sup>	81	81	81	81
Steady State Efficiency (%)	82	82	82	82
No. Burners	4	4	4	4
No. Stages	1	1	1	1
Gas Connection Pipe Size in. [mm]	0.5 [12.7]	0.5 [12.7]	0.5 [12.7]	0.5 [12.7]
<b>Compressor</b>				
No./Type	1/Scroll	1/Scroll	1/Scroll	1/Scroll
<b>Outdoor Sound Rating (dB)<sup>5</sup></b>	76	76	76	76
<b>Outdoor Coil—Fin Type</b>	Louvered	Louvered	Louvered	Louvered
Tube Type	MicroChannel	MicroChannel	MicroChannel	MicroChannel
MicroChannel Depth in. [mm]	0.71 [18]	0.71 [18]	0.71 [18]	0.71 [18]
Face Area sq. ft. [sq. m]	14.1 [1.31]	14.1 [1.31]	14.1 [1.31]	14.1 [1.31]
Rows / FPI [FPcm]	1 / 23 [9]	1 / 23 [9]	1 / 23 [9]	1 / 23 [9]
<b>Indoor Coil—Fin Type</b>				
Tube Type	MicroChannel	MicroChannel	MicroChannel	MicroChannel
MicroChannel Depth in. [mm]	1 [25.4]	1 [25.4]	1 [25.4]	1 [25.4]
Face Area sq. ft. [sq. m]	3.6 [0.33]	3.6 [0.33]	3.6 [0.33]	3.6 [0.33]
Rows / FPI [FPcm]	1 / 17 [7]	1 / 17 [7]	1 / 17 [7]	1 / 17 [7]
Refrigerant Control	TX Valves	TX Valves	TX Valves	TX Valves
Drain Connection No./Size in. [mm]	1/0.75 [19.05]	1/0.75 [19.05]	1/0.75 [19.05]	1/0.75 [19.05]
<b>Outdoor Fan—Type</b>	Propeller	Propeller	Propeller	Propeller
No. Used/Diameter in. [mm]	1/22 [558.8]	1/22 [558.8]	1/22 [558.8]	1/22 [558.8]
Drive Type/No. Speeds	Direct/1	Direct/1	Direct/1	Direct/1
CFM [L/s]	3500 [1652]	3500 [1652]	3500 [1652]	3500 [1652]
No. Motors/HP	1 at 1/3 HP	1 at 1/3 HP	1 at 1/3 HP	1 at 1/3 HP
Motor RPM	1075	1075	1075	1075
<b>Indoor Fan—Type</b>	FC Centrifugal	FC Centrifugal	FC Centrifugal	FC Centrifugal
No. Used/Diameter in. [mm]	1/12x9 [305x229]	1/12x9 [305x229]	1/12x9 [305x229]	1/12x9 [305x229]
Drive Type	Direct	Direct	Direct	Direct
No. Speeds	Multiple	Multiple	Multiple	Multiple
No. Motors	1	1	1	1
Motor HP	3/4	3/4	3/4	3/4
Motor RPM	1075	1075	1075	1075
Motor Frame Size	48	48	48	48
<b>Filter—Type</b>	Field Supplied	Field Supplied	Field Supplied	Field Supplied
Furnished	No	No	No	No
(NO.) Size Recommended in. [mm x mm x mm]	(1)1x24x24 [25x610x610]	(1)1x24x24 [25x610x610]	(1)1x24x24 [25x610x610]	(1)1x24x24 [25x610x610]
<b>Refrigerant Charge Oz. [g]</b>	61.3 [1738]	61.3 [1738]	61.3 [1738]	61.3 [1738]
<b>Weights</b>				
Net Weight lbs. [kg]	450 [204]	450 [204]	445 [202]	445 [202]
Ship Weight lbs. [kg]	460 [209]	460 [209]	455 [206]	455 [206]

See Page 36 for Notes.

[ ] Designates Metric Conversions

## NOMINAL SIZES 2-5 TONS [7.0-17.6 kW]

Model RGEA15 Series	042ACT101AA	042ACT10XAA	048AJV081AB	048AJV08XAB
<b>Cooling Performance<sup>1</sup></b>				<b>CONTINUED</b> →
Gross Cooling Capacity Btu [kW]	41,000 [12.01]	41,000 [12.01]	47,500 [13.92]	47,500 [13.92]
EER/SEER <sup>2</sup>	12/14.7	12/14.7	12/14.7	12/14.7
Nominal CFM/AHRI Rated CFM [L/s]	1400/1300 [661/613]	1400/1300 [661/613]	1600/1550 [755/731]	1600/1550 [755/731]
AHRI Net Cooling Capacity Btu [kW]	39,500 [11.58]	39,500 [11.58]	45,000 [13.19]	45,000 [13.19]
Net Sensible Capacity Btu [kW]	28,200 [8.26]	28,200 [8.26]	32,300 [9.47]	32,300 [9.47]
Net Latent Capacity Btu [kW]	11,300 [2.75]	11,300 [2.75]	12,700 [3.72]	12,700 [3.72]
Net System Power kW	3.29	3.29	3.75	3.75
<b>Heating Performance (Gas)<sup>3</sup></b>				
Heating Input Btu [kW]	100,000 [29.3]	100,000 [29.3]	80,000 [23.44]	80,000 [23.44]
Heating Output Btu [kW]	81,000 [23.73]	81,000 [23.73]	65,000 [19.04]	65,000 [19.04]
Temperature Rise Range °F [°C]	45-75 [25-41.7]	45-75 [25-41.7]	35-65 [19.4-36.1]	35-65 [19.4-36.1]
AFUE % <sup>4</sup>	81	81	81	81
Steady State Efficiency (%)	82	82	82	82
No. Burners	4	4	4	4
No. Stages	1	1	1	1
Gas Connection Pipe Size in. [mm]	0.5 [12.7]	0.5 [12.7]	0.5 [12.7]	0.5 [12.7]
<b>Compressor</b>				
No./Type	1/Scroll	1/Scroll	1/Scroll	1/Scroll
<b>Outdoor Sound Rating (dB)<sup>5</sup></b>	76	76	76	76
<b>Outdoor Coil—Fin Type</b>	Louvered	Louvered	Louvered	Louvered
Tube Type	MicroChannel	MicroChannel	MicroChannel	MicroChannel
MicroChannel Depth in. [mm]	0.71 [18]	0.71 [18]	0.71 [18]	0.71 [18]
Face Area sq. ft. [sq. m]	14.1 [1.31]	14.1 [1.31]	16.3 [1.51]	16.3 [1.51]
Rows / FPI [FPcm]	1 / 23 [9]	1 / 23 [9]	1 / 23 [9]	1 / 23 [9]
<b>Indoor Coil—Fin Type</b>			Louvered	Louvered
Tube Type	MicroChannel	MicroChannel	MicroChannel	MicroChannel
MicroChannel Depth in. [mm]	1 [25.4]	1 [25.4]	1.26 [32]	1.26 [32]
Face Area sq. ft. [sq. m]	3.6 [0.33]	3.6 [0.33]	4.1 [0.33]	4.1 [0.33]
Rows / FPI [FPcm]	1 / 17 [7]	1 / 17 [7]	1 / 20 [8]	1 / 20 [8]
Refrigerant Control	TX Valves	TX Valves	TX Valves	TX Valves
Drain Connection No./Size in. [mm]	1/0.75 [19.05]	1/0.75 [19.05]	1/0.75 [19.05]	1/0.75 [19.05]
<b>Outdoor Fan—Type</b>	Propeller	Propeller	Propeller	Propeller
No. Used/Diameter in. [mm]	1/22 [558.8]	1/22 [558.8]	1/22 [558.8]	1/22 [558.8]
Drive Type/No. Speeds	Direct/1	Direct/1	Direct/1	Direct/1
CFM [L/s]	3500 [1652]	3500 [1652]	3300 [1557]	3300 [1557]
No. Motors/HP	1 at 1/3 HP	1 at 1/3 HP	1 at 1/3 HP	1 at 1/3 HP
Motor RPM	1075	1075	1075	1075
<b>Indoor Fan—Type</b>	FC Centrifugal	FC Centrifugal	FC Centrifugal	FC Centrifugal
No. Used/Diameter in. [mm]	1/12x9 [305x229]	1/12x9 [305x229]	1/12x9 [305x229]	1/12x9 [305x229]
Drive Type	Direct	Direct	Direct	Direct
No. Speeds	Multiple	Multiple	Multiple	Multiple
No. Motors	1	1	1	1
Motor HP	3/4	3/4	3/4	3/4
Motor RPM	1075	1075	1075	1075
Motor Frame Size	48	48	48	48
<b>Filter—Type</b>	Field Supplied	Field Supplied	Field Supplied	Field Supplied
Furnished	No	No	No	No
(NO.) Size Recommended in. [mm x mm x mm]	(1)1x24x24 [25x610x610]	(1)1x24x24 [25x610x610]	(1)1x24x24 [25x610x610]	(1)1x24x24 [25x610x610]
<b>Refrigerant Charge Oz. [g]</b>	61.3 [1738]	61.3 [1738]	85.3 [2418]	85.3 [2418]
<b>Weights</b>				
Net Weight lbs. [kg]	450 [204]	450 [204]	492 [223]	492 [223]
Ship Weight lbs. [kg]	460 [209]	460 [209]	502 [228]	502 [228]

See Page 36 for Notes.

[ ] Designates Metric Conversions

## NOMINAL SIZES 2-5 TONS [7.0-17.6 kW]

Model RGEA15 Series	048AJV101AB	048AJV10XAB	048ACT081AA	048ACT08XAA
<b>Cooling Performance<sup>1</sup></b>				<b>CONTINUED</b> →
Gross Cooling Capacity Btu [kW]	47,500 [13.92]	47,500 [13.92]	47,500 [13.92]	47,500 [13.92]
EER/SEER <sup>2</sup>	12/14.7	12/14.7	12/14.7	12/14.7
Nominal CFM/AHRI Rated CFM [L/s]	1600/1550 [755/731]	1600/1550 [755/731]	1600/1550 [755/731]	1600/1550 [755/731]
AHRI Net Cooling Capacity Btu [kW]	45,000 [13.19]	45,000 [13.19]	45,000 [13.19]	45,000 [13.19]
Net Sensible Capacity Btu [kW]	32,300 [9.47]	32,300 [9.47]	32,300 [9.47]	32,300 [9.47]
Net Latent Capacity Btu [kW]	12,700 [3.72]	12,700 [3.72]	12,700 [3.72]	12,700 [3.72]
Net System Power kW	3.75	3.75	3.75	3.75
<b>Heating Performance (Gas)<sup>3</sup></b>				
Heating Input Btu [kW]	100,000 [29.3]	100,000 [29.3]	80,000 [23.44]	80,000 [23.44]
Heating Output Btu [kW]	81,000 [23.73]	81,000 [23.73]	65,000 [19.04]	65,000 [19.04]
Temperature Rise Range °F [°C]	45-75 [25-41.7]	45-75 [25-41.7]	35-65 [19.4-36.1]	35-65 [19.4-36.1]
AFUE % <sup>4</sup>	81	81	81	81
Steady State Efficiency (%)	82	82	82	82
No. Burners	4	4	4	4
No. Stages	1	1	1	1
Gas Connection Pipe Size in. [mm]	0.5 [12.7]	0.5 [12.7]	0.5 [12.7]	0.5 [12.7]
<b>Compressor</b>				
No./Type	1/Scroll	1/Scroll	1/Scroll	1/Scroll
<b>Outdoor Sound Rating (dB)<sup>5</sup></b>	76	76	76	76
<b>Outdoor Coil—Fin Type</b>	Louvered	Louvered	Louvered	Louvered
Tube Type	MicroChannel	MicroChannel	MicroChannel	MicroChannel
MicroChannel Depth in. [mm]	0.71 [18]	0.71 [18]	0.71 [18]	0.71 [18]
Face Area sq. ft. [sq. m]	16.3 [1.51]	16.3 [1.51]	16.3 [1.51]	16.3 [1.51]
Rows / FPI [FPcm]	1 / 23 [9]	1 / 23 [9]	1 / 23 [9]	1 / 23 [9]
<b>Indoor Coil—Fin Type</b>	Louvered	Louvered	Louvered	Louvered
Tube Type	MicroChannel	MicroChannel	MicroChannel	MicroChannel
MicroChannel Depth in. [mm]	1.26 [32]	1.26 [32]	1.26 [32]	1.26 [32]
Face Area sq. ft. [sq. m]	4.1 [0.33]	4.1 [0.33]	4.1 [0.33]	4.1 [0.33]
Rows / FPI [FPcm]	1 / 20 [8]	1 / 20 [8]	1 / 20 [8]	1 / 20 [8]
Refrigerant Control	TX Valves	TX Valves	TX Valves	TX Valves
Drain Connection No./Size in. [mm]	1/0.75 [19.05]	1/0.75 [19.05]	1/0.75 [19.05]	1/0.75 [19.05]
<b>Outdoor Fan—Type</b>	Propeller	Propeller	Propeller	Propeller
No. Used/Diameter in. [mm]	1/22 [558.8]	1/22 [558.8]	1/22 [558.8]	1/22 [558.8]
Drive Type/No. Speeds	Direct/1	Direct/1	Direct/1	Direct/1
CFM [L/s]	3300 [1557]	3300 [1557]	3300 [1557]	3300 [1557]
No. Motors/HP	1 at 1/3 HP	1 at 1/3 HP	1 at 1/3 HP	1 at 1/3 HP
Motor RPM	1075	1075	1075	1075
<b>Indoor Fan—Type</b>	FC Centrifugal	FC Centrifugal	FC Centrifugal	FC Centrifugal
No. Used/Diameter in. [mm]	1/12x9 [305x229]	1/12x9 [305x229]	1/12x9 [305x229]	1/12x9 [305x229]
Drive Type	Direct	Direct	Direct	Direct
No. Speeds	Multiple	Multiple	Multiple	Multiple
No. Motors	1	1	1	1
Motor HP	3/4	3/4	3/4	3/4
Motor RPM	1075	1075	1075	1075
Motor Frame Size	48	48	48	48
<b>Filter—Type</b>	Field Supplied	Field Supplied	Field Supplied	Field Supplied
Furnished	No	No	No	No
(NO.) Size Recommended in. [mm x mm x mm]	(1)1x24x24 [25x610x610]	(1)1x24x24 [25x610x610]	(1)1x24x24 [25x610x610]	(1)1x24x24 [25x610x610]
<b>Refrigerant Charge Oz. [g]</b>	85.3 [2418]	85.3 [2418]	85.3 [2418]	85.3 [2418]
<b>Weights</b>				
Net Weight lbs. [kg]	497 [225]	497 [225]	492 [223]	492 [223]
Ship Weight lbs. [kg]	507 [230]	507 [230]	502 [228]	502 [228]

See Page 36 for Notes.

[ ] Designates Metric Conversions

## NOMINAL SIZES 2-5 TONS [7.0-17.6 kW]

Model RGEA15 Series	048ACT101AA	048ACT10XAA	048ADT101AA	048ADT10XAA
<b>Cooling Performance<sup>1</sup></b>				<b>CONTINUED</b> →
Gross Cooling Capacity Btu [kW]	47,500 [13.92]	47,500 [13.92]	47,500 [13.92]	47,500 [13.92]
EER/SEER <sup>2</sup>	12/14.7	12/14.7	12/14.7	12/14.7
Nominal CFM/AHRI Rated CFM [L/s]	1600/1550 [755/731]	1600/1550 [755/731]	1600/1550 [755/731]	1600/1550 [755/731]
AHRI Net Cooling Capacity Btu [kW]	45,000 [13.19]	45,000 [13.19]	45,000 [13.19]	45,000 [13.19]
Net Sensible Capacity Btu [kW]	32,300 [9.47]	32,300 [9.47]	32,300 [9.47]	32,300 [9.47]
Net Latent Capacity Btu [kW]	12,700 [3.72]	12,700 [3.72]	12,700 [3.72]	12,700 [3.72]
Net System Power kW	3.75	3.75	3.75	3.75
<b>Heating Performance (Gas)<sup>3</sup></b>				
Heating Input Btu [kW]	100,000 [29.3]	100,000 [29.3]	100,000 [29.3]	100,000 [29.3]
Heating Output Btu [kW]	81,000 [23.73]	81,000 [23.73]	81,000 [23.73]	81,000 [23.73]
Temperature Rise Range °F [°C]	45-75 [25-41.7]	45-75 [25-41.7]	45-75 [25-41.7]	45-75 [25-41.7]
AFUE % <sup>4</sup>	81	81	81	81
Steady State Efficiency (%)	82	82	82	82
No. Burners	4	4	4	4
No. Stages	1	1	1	1
Gas Connection Pipe Size in. [mm]	0.5 [12.7]	0.5 [12.7]	0.5 [12.7]	0.5 [12.7]
<b>Compressor</b>				
No./Type	1/Scroll	1/Scroll	1/Scroll	1/Scroll
<b>Outdoor Sound Rating (dB)<sup>5</sup></b>	76	76	76	76
<b>Outdoor Coil—Fin Type</b>	Louvered	Louvered	Louvered	Louvered
Tube Type	MicroChannel	MicroChannel	MicroChannel	MicroChannel
MicroChannel Depth in. [mm]	0.71 [18]	0.71 [18]	0.71 [18]	0.71 [18]
Face Area sq. ft. [sq. m]	16.3 [1.51]	16.3 [1.51]	16.3 [1.51]	16.3 [1.51]
Rows / FPI [FPcm]	1 / 23 [9]	1 / 23 [9]	1 / 23 [9]	1 / 23 [9]
<b>Indoor Coil—Fin Type</b>	Louvered	Louvered	Louvered	Louvered
Tube Type	MicroChannel	MicroChannel	MicroChannel	MicroChannel
MicroChannel Depth in. [mm]	1.26 [32]	1.26 [32]	1.26 [32]	1.26 [32]
Face Area sq. ft. [sq. m]	4.1 [0.33]	4.1 [0.33]	4.1 [0.33]	4.1 [0.33]
Rows / FPI [FPcm]	1 / 20 [8]	1 / 20 [8]	1 / 20 [8]	1 / 20 [8]
Refrigerant Control	TX Valves	TX Valves	TX Valves	TX Valves
Drain Connection No./Size in. [mm]	1/0.75 [19.05]	1/0.75 [19.05]	1/0.75 [19.05]	1/0.75 [19.05]
<b>Outdoor Fan—Type</b>	Propeller	Propeller	Propeller	Propeller
No. Used/Diameter in. [mm]	1/22 [558.8]	1/22 [558.8]	1/22 [558.8]	1/22 [558.8]
Drive Type/No. Speeds	Direct/1	Direct/1	Direct/1	Direct/1
CFM [L/s]	3300 [1557]	3300 [1557]	3300 [1557]	3300 [1557]
No. Motors/HP	1 at 1/3 HP	1 at 1/3 HP	1 at 1/3 HP	1 at 1/3 HP
Motor RPM	1075	1075	1075	1075
<b>Indoor Fan—Type</b>	FC Centrifugal	FC Centrifugal	FC Centrifugal	FC Centrifugal
No. Used/Diameter in. [mm]	1/12x9 [305x229]	1/12x9 [305x229]	1/12x9 [305x229]	1/12x9 [305x229]
Drive Type	Direct	Direct	Direct	Direct
No. Speeds	Multiple	Multiple	Multiple	Multiple
No. Motors	1	1	1	1
Motor HP	3/4	3/4	3/4	3/4
Motor RPM	1075	1075	1075	1075
Motor Frame Size	48	48	48	48
<b>Filter—Type</b>	Field Supplied	Field Supplied	Field Supplied	Field Supplied
Furnished	No	No	No	No
(NO.) Size Recommended in. [mm x mm x mm]	(1)1x24x24 [25x610x610]	(1)1x24x24 [25x610x610]	(1)1x24x24 [25x610x610]	(1)1x24x24 [25x610x610]
<b>Refrigerant Charge Oz. [g]</b>	85.3 [2418]	85.3 [2418]	85.3 [2418]	85.3 [2418]
<b>Weights</b>				
Net Weight lbs. [kg]	497 [225]	497 [225]	497 [225]	497 [225]
Ship Weight lbs. [kg]	507 [230]	507 [230]	507 [230]	507 [230]

See Page 36 for Notes.

[ ] Designates Metric Conversions

## NOMINAL SIZES 2-5 TONS [7.0-17.6 kW]

Model RGEA15 Series	060AJV101AB	060AJV10XAB	060ACT101AA	060ADT101AA
<b>Cooling Performance<sup>1</sup></b>				
Gross Cooling Capacity Btu [kW]	59,500 [17.43]	59,500 [17.43]	59,500 [17.43]	59,500 [17.43]
SEER <sup>2</sup>	14.6	14.6	14.6	14.6
EER (1st Stage/2nd Stage)	20/11	20/11	20/11	20/11
Nominal CFM/AHRI Rated CFM [L/s]	1250/1850 [590/873]	1250/1850 [590/873]	1250/1850 [590/873]	1250/1850 [590/873]
AHRI Net Cooling Capacity Btu [kW]	48,000/55,000 [14.07/16.27]	48,000/55,000 [14.07/16.27]	48,000/55,000 [14.07/16.27]	48,000/55,000 [14.07/16.27]
Net Sensible Capacity Btu [kW]	32,800/39,600 [9.61/11.61]	32,800/39,600 [9.61/11.61]	32,800/39,600 [9.61/11.61]	32,800/39,600 [9.61/11.61]
Net Latent Capacity Btu [kW]	15,200/15,900 [4.45/4.66]	15,200/15,900 [4.45/4.66]	15,200/15,900 [4.45/4.66]	15,200/15,900 [4.45/4.66]
Net System Power kW	2.40/5.05	2.40/5.05	2.40/5.05	2.40/5.05
<b>Heating Performance (Gas)<sup>3</sup></b>				
Heating Input Btu [kW]	100,000 [29.3]	100,000 [29.3]	100,000 [29.3]	100,000 [29.3]
Heating Output Btu [kW]	81,000 [23.73]	81,000 [23.73]	81,000 [23.73]	81,000 [23.73]
Temperature Rise Range °F [°C]	45-75 [25-41.7]	45-75 [25-41.7]	45-75 [25-41.7]	45-75 [25-41.7]
AFUE % <sup>4</sup>	81	81	81	81
Steady State Efficiency (%)	82	82	82	82
No. Burners	4	4	4	4
No. Stages	1	1	1	1
Gas Connection Pipe Size in. [mm]	0.5 [12.7]	0.5 [12.7]	0.5 [12.7]	0.5 [12.7]
<b>Compressor</b>				
No./Type	1/Scroll	1/Scroll	1/Scroll	1/Scroll
<b>Outdoor Sound Rating (dB)<sup>5</sup></b>				
	76	76	76	76
<b>Outdoor Coil—Fin Type</b>				
Tube Type	Louvered	Louvered	Louvered	Louvered
MicroChannel Depth in. [mm]	MicroChannel	MicroChannel	MicroChannel	MicroChannel
Face Area sq. ft. [sq. m]	0.71 [18]	0.71 [18]	0.71 [18]	0.71 [18]
Rows / FPI [FPcm]	15.3 [1.42]	15.3 [1.42]	15.3 [1.42]	15.3 [1.42]
	1 / 23 [9]	1 / 23 [9]	1 / 23 [9]	1 / 23 [9]
<b>Indoor Coil—Fin Type</b>				
Tube Type	Louvered	Louvered	Louvered	Louvered
MicroChannel Depth in. [mm]	MicroChannel	MicroChannel	MicroChannel	MicroChannel
Face Area sq. ft. [sq. m]	1.26 [32]	1.26 [32]	1.26 [32]	1.26 [32]
Rows / FPI [FPcm]	4 [0.37]	4 [0.37]	4 [0.37]	4 [0.37]
	1 / 20 [8]	1 / 20 [8]	1 / 20 [8]	1 / 20 [8]
Refrigerant Control	TX Valves	TX Valves	TX Valves	TX Valves
Drain Connection No./Size in. [mm]	1/0.75 [19.05]	1/0.75 [19.05]	1/0.75 [19.05]	1/0.75 [19.05]
<b>Outdoor Fan—Type</b>				
No. Used/Diameter in. [mm]	Propeller	Propeller	Propeller	Propeller
Drive Type/No. Speeds	1/22 [558.8]	1/22 [558.8]	1/22 [558.8]	1/22 [558.8]
CFM [L/s]	Direct/1	Direct/1	Direct/1	Direct/1
No. Motors/HP	3300 [1557]	3300 [1557]	3300 [1557]	3300 [1557]
Motor RPM	1 at 1/3 HP	1 at 1/3 HP	1 at 1/3 HP	1 at 1/3 HP
	1075	1075	1075	1075
<b>Indoor Fan—Type</b>				
No. Used/Diameter in. [mm]	FC Centrifugal	FC Centrifugal	FC Centrifugal	FC Centrifugal
Drive Type	1/12x9 [305x229]	1/12x9 [305x229]	1/12x9 [305x229]	1/12x9 [305x229]
No. Speeds	Direct	Direct	Direct	Direct
No. Motors	Multiple	Multiple	Multiple	Multiple
Motor HP	1	1	1	1
Motor RPM	3/4	3/4	3/4	3/4
Motor Frame Size	1075	1075	1075	1075
	48	48	48	48
<b>Filter—Type</b>				
Furnished	Field Supplied	Field Supplied	Field Supplied	Field Supplied
(NO.) Size Recommended in. [mm x mm x mm]	No	No	No	No
	(1)1x24x30 [25x610x762]	(1)1x24x30 [25x610x762]	(1)1x24x30 [25x610x762]	(1)1x24x30 [25x610x762]
<b>Refrigerant Charge Oz. [g]</b>				
	89.6 [2540]	89.6 [2540]	89.6 [2540]	89.6 [2540]
<b>Weights</b>				
Net Weight lbs. [kg]	515 [234]	515 [234]	515 [234]	515 [234]
Ship Weight lbs. [kg]	525 [238]	525 [238]	525 [238]	525 [238]

See Page 36 for Notes.

[ ] Designates Metric Conversions

## NOTES:

1. Cooling Performance is rated at 95° F ambient, 80° F entering dry bulb, 67° F entering wet bulb. Gross capacity does not include the effect of fan motor heat. AHRI capacity is net and includes the effect of fan motor heat. Units are suitable for operation in CFM range shown in airflow tables. Units are certified in accordance with the Unitary Air Conditioner Equipment certification program, which is based on AHRI Standard 210/240.
2. EER and/or SEER are rated at AHRI conditions and in accordance with DOE test procedures.
3. Heating Performance limit settings and rating data were established and approved under laboratory test conditions using American National Standard Institute standards. Ratings shown are for elevations up to 2000 feet. For elevations above 2000 feet, ratings should be reduced at the rate of 4% for each 1000 feet above sea level.
4. AFUE is rated in accordance with DOE test procedures.
5. Outdoor Sound Rating shown is tested in accordance with AHRI Standard 270.



## GROSS SYSTEMS PERFORMANCE DATA – RGEA14024A

ENTERING INDOOR AIR @ 80°F [26.7°C] dbE ①											
wbE		71°F [21.7°C]			67°F [19.4°C]			63°F [17.2°C]			
CFM [L/s]		990 [467]	900 [425]	760 [359]	990 [467]	900 [425]	760 [359]	990 [467]	900 [425]	760 [359]	
DR ①		0.21	0.19	0.15	0.21	0.19	0.15	0.21	0.19	0.15	
OUTDOOR DRY BULB TEMPERATURE °F [°C]	75 [23.9]	Total BTUH [kW]	30.9 [9.1]	30.4 [8.9]	29.5 [8.7]	29.1 [8.5]	28.6 [8.4]	27.8 [8.1]	27.5 [8.1]	27.0 [7.9]	26.2 [7.7]
		Sens BTUH [kW]	18.7 [5.5]	17.9 [5.2]	16.6 [4.9]	21.9 [6.4]	20.9 [6.1]	19.4 [5.7]	24.6 [7.2]	23.5 [6.9]	21.8 [6.4]
		Power	1.4	1.4	1.4	1.4	1.4	1.4	1.4	1.4	1.4
	80 [26.7]	Total BTUH [kW]	30.0 [8.8]	29.4 [8.6]	28.6 [8.4]	28.1 [8.2]	27.6 [8.1]	26.8 [7.9]	26.5 [7.8]	26.0 [7.6]	25.3 [7.4]
		Sens BTUH [kW]	18.2 [5.3]	17.4 [5.1]	16.1 [4.7]	21.4 [6.3]	20.4 [6.0]	18.9 [5.5]	24.0 [7.0]	23.0 [6.7]	21.3 [6.2]
		Power	1.5	1.5	1.5	1.5	1.5	1.5	1.5	1.5	1.5
	85 [29.4]	Total BTUH [kW]	29.0 [8.5]	28.5 [8.3]	27.7 [8.1]	27.1 [8.0]	26.7 [7.8]	25.9 [7.6]	25.5 [7.5]	25.1 [7.3]	24.4 [7.1]
		Sens BTUH [kW]	17.6 [5.2]	16.8 [4.9]	15.6 [4.6]	20.8 [6.1]	19.9 [5.8]	18.4 [5.4]	23.5 [6.9]	22.4 [6.6]	20.8 [6.1]
		Power	1.6	1.6	1.6	1.6	1.6	1.6	1.6	1.6	1.6
	90 [32.2]	Total BTUH [kW]	28.0 [8.2]	27.5 [8.1]	26.7 [7.8]	26.1 [7.7]	25.7 [7.5]	25.0 [7.3]	24.5 [7.2]	24.1 [7.1]	23.4 [6.9]
		Sens BTUH [kW]	17.0 [5.0]	16.3 [4.8]	15.1 [4.4]	20.2 [5.9]	19.3 [5.7]	17.9 [5.3]	22.9 [6.7]	21.9 [6.4]	20.3 [5.9]
		Power	1.7	1.7	1.7	1.7	1.7	1.7	1.7	1.7	1.7
95 [35]	Total BTUH [kW]	27.0 [7.9]	26.5 [7.8]	25.7 [7.5]	25.1 [7.4]	24.7 [7.2]	24.0 [7.0]	23.5 [6.9]	23.1 [6.8]	22.4 [6.6]	
	Sens BTUH [kW]	16.5 [4.8]	15.7 [4.6]	14.6 [4.3]	19.7 [5.8]	18.8 [5.5]	17.4 [5.1]	22.3 [6.5]	21.3 [6.2]	19.8 [5.8]	
	Power	1.9	1.8	1.8	1.8	1.8	1.8	1.8	1.8	1.8	
100 [37.8]	Total BTUH [kW]	25.9 [7.6]	25.5 [7.5]	24.8 [7.3]	24.1 [7.1]	23.7 [6.9]	23.0 [6.7]	22.5 [6.6]	22.1 [6.5]	21.5 [6.3]	
	Sens BTUH [kW]	15.9 [4.6]	15.2 [4.4]	14.1 [4.1]	19.1 [5.6]	18.2 [5.3]	16.9 [5.0]	21.7 [6.4]	20.8 [6.1]	19.2 [5.6]	
	Power	2.0	2.0	1.9	2.0	2.0	1.9	2.0	1.9	1.9	
105 [40.6]	Total BTUH [kW]	24.9 [7.3]	24.5 [7.2]	23.8 [7.0]	23.1 [6.8]	22.6 [6.6]	22.0 [6.4]	21.4 [6.3]	21.1 [6.2]	20.5 [6.0]	
	Sens BTUH [kW]	15.3 [4.5]	14.6 [4.3]	13.5 [4.0]	18.5 [5.4]	17.7 [5.2]	16.4 [4.8]	21.1 [6.2]	20.2 [5.9]	18.7 [5.5]	
	Power	2.1	2.1	2.1	2.1	2.1	2.1	2.1	2.1	2.0	
110 [43.3]	Total BTUH [kW]	23.8 [7.0]	23.4 [6.9]	22.7 [6.7]	22.0 [6.4]	21.6 [6.3]	21.0 [6.1]	20.4 [6.0]	20.0 [5.9]	19.4 [5.7]	
	Sens BTUH [kW]	14.7 [4.3]	14.0 [4.1]	13.0 [3.8]	17.9 [5.2]	17.1 [5.0]	15.8 [4.6]	20.4 [6.0]	19.6 [5.7]	18.2 [5.3]	
	Power	2.3	2.2	2.2	2.2	2.2	2.2	2.2	2.2	2.2	
115 [46.1]	Total BTUH [kW]	22.8 [6.7]	22.3 [6.5]	21.7 [6.4]	20.9 [6.1]	20.5 [6.0]	19.9 [5.8]	19.3 [5.7]	18.9 [5.6]	18.4 [5.4]	
	Sens BTUH [kW]	14.1 [4.1]	13.4 [3.9]	12.5 [3.6]	17.3 [5.1]	16.5 [4.8]	15.3 [4.5]	19.3 [5.7]	18.9 [5.6]	17.6 [5.2]	
	Power	2.4	2.4	2.3	2.4	2.4	2.3	2.4	2.4	2.3	
120 [48.9]	Total BTUH [kW]	21.7 [6.3]	21.3 [6.2]	20.7 [6.1]	19.8 [5.8]	19.5 [5.7]	18.9 [5.5]	18.2 [5.3]	17.9 [5.2]	17.4 [5.1]	
	Sens BTUH [kW]	13.4 [3.9]	12.8 [3.8]	11.9 [3.5]	16.6 [4.9]	15.9 [4.7]	14.7 [4.3]	18.2 [5.3]	17.9 [5.2]	17.1 [5.0]	
	Power	2.6	2.5	2.5	2.5	2.5	2.5	2.5	2.5	2.5	
125 [51.7]	Total BTUH [kW]	20.5 [6.0]	20.2 [5.9]	19.6 [5.7]	18.7 [5.5]	18.4 [5.4]	17.8 [5.2]	17.1 [5.0]	16.8 [4.9]	16.3 [4.8]	
	Sens BTUH [kW]	12.8 [3.8]	12.2 [3.6]	11.3 [3.3]	16.0 [4.7]	15.3 [4.5]	14.2 [4.2]	17.1 [5.0]	16.8 [4.9]	16.3 [4.8]	
	Power	2.7	2.7	2.7	2.7	2.7	2.7	2.7	2.7	2.6	

DR —Depression ratio  
dbE —Entering air dry bulb  
wbE—Entering air wet bulb

Total —Total capacity x 1000 BTUH  
Sens —Sensible capacity x 1000 BTUH  
Power —KW input

NOTES: ① When the entering air dry bulb is other than 80°F [27°C], adjust the sensible capacity from the table by adding  $[1.10 \times \text{CFM} \times (1 - \text{DR}) \times (\text{dbE} - 80)]$ .

[ ] Designates Metric Conversions

## GROSS SYSTEMS PERFORMANCE DATA—RGEA14030A

ENTERING INDOOR AIR @ 80°F [26.7°C] dbE ①											
wbE		71°F [21.7°C]			67°F [19.4°C]			63°F [17.2°C]			
CFM [L/s]		1070 [505]	975 [460]	830 [392]	1070 [505]	975 [460]	830 [392]	1070 [505]	975 [460]	830 [392]	
DR ①		0.16	0.14	0.1	0.16	0.14	0.1	0.16	0.14	0.1	
OUTDOOR DRY BULB TEMPERATURE °F [°C]	75 [23.9]	Total BTUH [kW] Sens BTUH [kW] Power	36.8 [10.8] 21.5 [6.3] 1.7	36.1 [10.6] 20.5 [6.0] 1.7	35.2 [10.3] 19.1 [5.6] 1.6	34.3 [10.1] 25.1 [7.4] 1.7	33.7 [9.9] 24.0 [7.0] 1.6	32.8 [9.6] 22.4 [6.6] 1.6	32.4 [9.5] 28.3 [8.3] 1.6	31.8 [9.3] 27.1 [7.9] 1.6	31.0 [9.1] 25.2 [7.4] 1.6
	80 [26.7]	Total BTUH [kW] Sens BTUH [kW] Power	35.7 [10.5] 21.0 [6.1] 1.8	35.1 [10.3] 20.1 [5.9] 1.7	34.2 [10.0] 18.7 [5.5] 1.7	33.3 [9.7] 24.7 [7.2] 1.7	32.7 [9.6] 23.6 [6.9] 1.7	31.8 [9.3] 21.9 [6.4] 1.7	31.3 [9.2] 27.8 [8.2] 1.7	30.8 [9.0] 26.6 [7.8] 1.7	30.0 [8.8] 24.8 [7.3] 1.7
	85 [29.4]	Total BTUH [kW] Sens BTUH [kW] Power	34.7 [10.2] 20.5 [6.0] 1.9	34.1 [10.0] 19.6 [5.7] 1.8	33.2 [9.7] 18.2 [5.3] 1.8	32.2 [9.4] 24.2 [7.1] 1.8	31.7 [9.3] 23.1 [6.8] 1.8	30.8 [9.0] 21.5 [6.3] 1.8	30.3 [8.9] 27.4 [8.0] 1.8	29.8 [8.7] 26.2 [7.7] 1.8	29.0 [8.5] 24.3 [7.1] 1.8
	90 [32.2]	Total BTUH [kW] Sens BTUH [kW] Power	33.7 [9.9] 20.0 [5.9] 2.0	33.1 [9.7] 19.1 [5.6] 1.9	32.2 [9.4] 17.8 [5.2] 1.9	31.2 [9.1] 23.6 [6.9] 1.9	30.6 [9.0] 22.6 [6.6] 1.9	29.8 [8.7] 21.0 [6.2] 1.9	29.2 [8.6] 26.8 [7.9] 1.9	28.7 [8.4] 25.7 [7.5] 1.9	28.0 [8.2] 23.9 [7.0] 1.9
	95 [35]	Total BTUH [kW] Sens BTUH [kW] Power	32.6 [9.5] 19.4 [5.7] 2.1	32.0 [9.4] 18.6 [5.4] 2.1	31.2 [9.1] 17.3 [5.1] 2.0	30.1 [8.8] 23.1 [6.8] 2.1	29.6 [8.7] 22.1 [6.5] 2.0	28.8 [8.4] 20.5 [6.0] 2.0	28.2 [8.3] 26.3 [7.7] 2.0	27.7 [8.1] 25.1 [7.4] 2.0	26.9 [7.9] 23.4 [6.9] 2.0
	100 [37.8]	Total BTUH [kW] Sens BTUH [kW] Power	31.5 [9.2] 18.8 [5.5] 2.2	31.0 [9.1] 18.0 [5.3] 2.2	30.1 [8.8] 16.8 [4.9] 2.1	29.0 [8.5] 22.5 [6.6] 2.2	28.5 [8.4] 21.5 [6.3] 2.2	27.7 [8.1] 20.0 [5.9] 2.1	27.1 [7.9] 25.7 [7.5] 2.2	26.6 [7.8] 24.6 [7.2] 2.1	25.9 [7.6] 22.9 [6.7] 2.1
	105 [40.6]	Total BTUH [kW] Sens BTUH [kW] Power	30.4 [8.9] 18.2 [5.3] 2.3	29.9 [8.8] 17.4 [5.1] 2.3	29.1 [8.5] 16.2 [4.8] 2.3	27.9 [8.2] 21.9 [6.4] 2.3	27.4 [8.0] 20.9 [6.1] 2.3	26.7 [7.8] 19.5 [5.7] 2.3	26.0 [7.6] 25.1 [7.4] 2.3	25.6 [7.5] 24.0 [7.0] 2.3	24.9 [7.3] 22.3 [6.5] 2.2
	110 [43.3]	Total BTUH [kW] Sens BTUH [kW] Power	29.3 [8.6] 17.6 [5.2] 2.5	28.8 [8.4] 16.8 [4.9] 2.4	28.0 [8.2] 15.7 [4.6] 2.4	26.8 [7.9] 21.3 [6.2] 2.4	26.4 [7.7] 20.3 [6.0] 2.4	25.6 [7.5] 18.9 [5.5] 2.4	24.9 [7.3] 24.4 [7.2] 2.4	24.5 [7.2] 23.4 [6.9] 2.4	23.8 [7.0] 21.8 [6.4] 2.4
	115 [46.1]	Total BTUH [kW] Sens BTUH [kW] Power	28.2 [8.3] 16.9 [5.0] 2.6	27.7 [8.1] 16.2 [4.7] 2.6	27.0 [7.9] 15.1 [4.4] 2.5	25.7 [7.5] 20.6 [6.0] 2.6	25.3 [7.4] 19.7 [5.8] 2.6	24.6 [7.2] 18.3 [5.4] 2.5	23.8 [7.0] 23.8 [7.0] 2.6	23.4 [6.8] 22.7 [6.7] 2.6	22.7 [6.7] 21.2 [6.2] 2.5
	120 [48.9]	Total BTUH [kW] Sens BTUH [kW] Power	27.1 [7.9] 16.2 [4.8] 2.8	26.6 [7.8] 15.5 [4.5] 2.7	25.9 [7.6] 14.4 [4.2] 2.7	24.6 [7.2] 19.9 [5.8] 2.7	24.2 [7.1] 19.0 [5.6] 2.7	23.5 [6.9] 17.7 [5.2] 2.7	22.7 [6.6] 22.7 [6.6] 2.7	22.3 [6.5] 22.1 [6.5] 2.7	21.7 [6.3] 20.5 [6.0] 2.7
	125 [51.7]	Total BTUH [kW] Sens BTUH [kW] Power	25.9 [7.6] 15.5 [4.5] 2.9	25.5 [7.5] 14.8 [4.3] 2.9	24.8 [7.3] 13.8 [4.0] 2.8	23.4 [6.9] 19.2 [5.6] 2.9	23.0 [6.7] 18.3 [5.4] 2.9	22.4 [6.6] 17.1 [5.0] 2.8	21.5 [6.3] 21.5 [6.3] 2.9	21.1 [6.2] 21.1 [6.2] 2.9	20.6 [6.0] 19.9 [5.8] 2.8

DR —Depression ratio  
dbE —Entering air dry bulb  
wbE—Entering air wet bulb

Total —Total capacity x 1000 BTUH  
Sens —Sensible capacity x 1000 BTUH  
Power —kW input

NOTES: ① When the entering air dry bulb is other than 80°F [27°C], adjust the sensible capacity from the table by adding [1.10 x CFM x (1 – DR) x (dbE – 80)].

[ ] Designates Metric Conversions

## GROSS SYSTEMS PERFORMANCE DATA – RGEA14036A

ENTERING INDOOR AIR @ 80°F [26.7°C] dbE ①											
wbE		71°F [21.7°C]			67°F [19.4°C]			63°F [17.2°C]			
CFM [L/s]		1320 [623]	1200 [566]	1020 [481]	1320 [623]	1200 [566]	1020 [481]	1320 [623]	1200 [566]	1020 [481]	
DR ①		0.19	0.18	0.15	0.19	0.18	0.15	0.19	0.18	0.15	
OUTDOOR DRY BULB TEMPERATURE °F [°C]	75 [23.9]	Total BTUH [kW] Sens BTUH [kW] Power	44.8 [13.1] 26.2 [7.7] 2.0	44.0 [12.9] 25.0 [7.3] 2.0	42.8 [12.5] 23.3 [6.8] 2.0	41.9 [12.3] 30.6 [9.0] 2.0	41.1 [12.1] 29.2 [8.6] 2.0	40.0 [11.7] 27.2 [8.0] 2.0	38.9 [11.4] 33.9 [9.9] 2.0	38.2 [11.2] 32.4 [9.5] 2.0	37.2 [10.9] 30.1 [8.8] 2.0
	80 [26.7]	Total BTUH [kW] Sens BTUH [kW] Power	43.5 [12.8] 25.4 [7.5] 2.1	42.7 [12.5] 24.3 [7.1] 2.1	41.6 [12.2] 22.6 [6.6] 2.1	40.6 [11.9] 29.9 [8.7] 2.1	39.9 [11.7] 28.5 [8.4] 2.1	38.8 [11.4] 26.5 [7.8] 2.1	37.6 [11.0] 33.2 [9.7] 2.1	36.9 [10.8] 31.7 [9.3] 2.1	35.9 [10.5] 29.5 [8.6] 2.1
	85 [29.4]	Total BTUH [kW] Sens BTUH [kW] Power	42.2 [12.4] 24.7 [7.2] 2.3	41.4 [12.1] 23.6 [6.9] 2.2	40.3 [11.8] 21.9 [6.4] 2.2	39.3 [11.5] 29.1 [8.5] 2.2	38.6 [11.3] 27.8 [8.1] 2.2	37.5 [11.0] 25.9 [7.6] 2.2	36.3 [10.6] 32.4 [9.5] 2.2	35.6 [10.4] 31.0 [9.1] 2.2	34.6 [10.2] 28.8 [8.4] 2.2
	90 [32.2]	Total BTUH [kW] Sens BTUH [kW] Power	40.9 [12.0] 23.9 [7.0] 2.4	40.1 [11.8] 22.9 [6.7] 2.4	39.0 [11.4] 21.3 [6.2] 2.3	37.9 [11.1] 28.3 [8.3] 2.4	37.2 [10.9] 27.1 [7.9] 2.4	36.2 [10.6] 25.2 [7.4] 2.3	34.9 [10.2] 31.6 [9.3] 2.4	34.3 [10.1] 30.2 [8.9] 2.3	33.4 [9.8] 28.1 [8.2] 2.3
	95 [35]	Total BTUH [kW] Sens BTUH [kW] Power	39.5 [11.6] 23.1 [6.8] 2.5	38.8 [11.4] 22.1 [6.5] 2.5	37.7 [11.1] 20.6 [6.0] 2.5	36.6 [10.7] 27.5 [8.1] 2.5	35.9 [10.5] 26.3 [7.7] 2.5	34.9 [10.2] 24.5 [7.2] 2.5	33.6 [9.8] 30.9 [9.0] 2.5	33.0 [9.7] 29.5 [8.6] 2.5	32.1 [9.4] 27.4 [8.0] 2.5
	100 [37.8]	Total BTUH [kW] Sens BTUH [kW] Power	38.1 [11.2] 22.3 [6.5] 2.7	37.5 [11.0] 21.3 [6.3] 2.7	36.4 [10.7] 19.9 [5.8] 2.6	35.2 [10.3] 26.7 [7.8] 2.7	34.6 [10.1] 25.6 [7.5] 2.7	33.6 [9.9] 23.8 [7.0] 2.6	32.2 [9.4] 30.1 [8.8] 2.7	31.6 [9.3] 28.7 [8.4] 2.6	30.8 [9.0] 26.7 [7.8] 2.6
	105 [40.6]	Total BTUH [kW] Sens BTUH [kW] Power	36.8 [10.8] 21.5 [6.3] 2.9	36.1 [10.6] 20.6 [6.0] 2.8	35.1 [10.3] 19.1 [5.6] 2.8	33.8 [9.9] 25.9 [7.6] 2.8	33.2 [9.7] 24.8 [7.3] 2.8	32.3 [9.5] 23.0 [6.7] 2.8	30.8 [9.0] 29.2 [8.6] 2.8	30.3 [8.9] 27.9 [8.2] 2.8	29.5 [8.6] 26.0 [7.6] 2.8
	110 [43.3]	Total BTUH [kW] Sens BTUH [kW] Power	35.4 [10.4] 20.7 [6.1] 3.0	34.7 [10.2] 19.8 [5.8] 3.0	33.8 [9.9] 18.4 [5.4] 3.0	32.4 [9.5] 25.1 [7.4] 3.0	31.9 [9.3] 24.0 [7.0] 3.0	31.0 [9.1] 22.3 [6.5] 3.0	29.4 [8.6] 28.4 [8.3] 3.0	28.9 [8.5] 27.1 [8.0] 3.0	28.1 [8.2] 25.2 [7.4] 2.9
	115 [46.1]	Total BTUH [kW] Sens BTUH [kW] Power	34.0 [10.0] 19.8 [5.8] 3.2	33.4 [9.8] 18.9 [5.5] 3.2	32.4 [9.5] 17.6 [5.2] 3.2	31.0 [9.1] 24.2 [7.1] 3.2	30.5 [8.9] 23.1 [6.8] 3.2	29.6 [8.7] 21.5 [6.3] 3.1	28.0 [8.2] 27.5 [8.1] 3.2	27.5 [8.1] 26.3 [7.7] 3.2	26.8 [7.8] 24.5 [7.2] 3.1
	120 [48.9]	Total BTUH [kW] Sens BTUH [kW] Power	32.5 [9.5] 18.9 [5.6] 3.4	32.0 [9.4] 18.1 [5.3] 3.4	31.1 [9.1] 16.8 [4.9] 3.4	29.6 [8.7] 23.3 [6.8] 3.4	29.1 [8.5] 22.3 [6.5] 3.4	28.3 [8.3] 20.7 [6.1] 3.3	26.6 [7.8] 26.6 [7.8] 3.4	26.1 [7.7] 25.5 [7.5] 3.4	25.4 [7.4] 23.7 [6.9] 3.3
125 [51.7]	Total BTUH [kW] Sens BTUH [kW] Power	31.1 [9.1] 18.0 [5.3] 3.6	30.5 [9.0] 17.2 [5.1] 3.6	29.7 [8.7] 16.0 [4.7] 3.6	28.2 [8.3] 22.4 [6.6] 3.6	27.7 [8.1] 21.4 [6.3] 3.6	26.9 [7.9] 19.9 [5.8] 3.6	25.2 [7.4] 25.2 [7.4] 3.6	24.7 [7.2] 24.6 [7.2] 3.6	24.1 [7.0] 22.9 [6.7] 3.5	

DR —Depression ratio  
dbE —Entering air dry bulb  
wbE—Entering air wet bulb

Total —Total capacity x 1000 BTUH  
Sens —Sensible capacity x 1000 BTUH  
Power —KW input

NOTES: ① When the entering air dry bulb is other than 80°F [27°C], adjust the sensible capacity from the table by adding  $[1.10 \times \text{CFM} \times (1 - \text{DR}) \times (\text{dbE} - 80)]$ .

[ ] Designates Metric Conversions

## GROSS SYSTEMS PERFORMANCE DATA—RGEA14042A

ENTERING INDOOR AIR @ 80°F [26.7°C] dbE ①											
wbE		71°F [21.7°C]			67°F [19.4°C]			63°F [17.2°C]			
CFM [L/s]		1430 [675]	1300 [614]	1100 [519]	1430 [675]	1300 [614]	1100 [519]	1430 [675]	1300 [614]	1100 [519]	
DR ①		0.15	0.14	0.1	0.15	0.14	0.1	0.15	0.14	0.1	
OUTDOOR DRY BULB TEMPERATURE °F [°C]	75 [23.9]	Total BTUH [kW] Sens BTUH [kW] Power	50.0 [14.7] 29.2 [8.5] 2.4	49.1 [14.4] 27.9 [8.2] 2.4	47.7 [14.0] 25.9 [7.6] 2.3	47.3 [13.9] 34.3 [10.0] 2.4	46.4 [13.6] 32.7 [9.6] 2.3	45.1 [13.2] 30.4 [8.9] 2.3	44.3 [13.0] 38.5 [11.3] 2.3	43.5 [12.8] 36.8 [10.8] 2.3	42.3 [12.4] 34.2 [10.0] 2.3
	80 [26.7]	Total BTUH [kW] Sens BTUH [kW] Power	48.7 [14.3] 28.5 [8.4] 2.5	47.9 [14.0] 27.3 [8.0] 2.5	46.5 [13.6] 25.3 [7.4] 2.5	46.0 [13.5] 33.7 [9.9] 2.5	45.2 [13.2] 32.2 [9.4] 2.5	43.9 [12.9] 29.8 [8.7] 2.4	43.0 [12.6] 37.9 [11.1] 2.5	42.3 [12.4] 36.2 [10.6] 2.5	41.1 [12.0] 33.6 [9.9] 2.4
	85 [29.4]	Total BTUH [kW] Sens BTUH [kW] Power	47.4 [13.9] 27.9 [8.2] 2.7	46.6 [13.6] 26.6 [7.8] 2.6	45.2 [13.3] 24.7 [7.2] 2.6	44.7 [13.1] 33.0 [9.7] 2.6	43.9 [12.9] 31.5 [9.2] 2.6	42.6 [12.5] 29.3 [8.6] 2.6	41.7 [12.2] 37.2 [10.9] 2.6	41.0 [12.0] 35.6 [10.4] 2.6	39.8 [11.7] 33.0 [9.7] 2.6
	90 [32.2]	Total BTUH [kW] Sens BTUH [kW] Power	46.0 [13.5] 27.2 [8.0] 2.8	45.2 [13.2] 26.0 [7.6] 2.8	43.9 [12.9] 24.1 [7.1] 2.8	43.3 [12.7] 32.3 [9.5] 2.8	42.5 [12.5] 30.8 [9.0] 2.8	41.3 [12.1] 28.6 [8.4] 2.7	40.3 [11.8] 36.5 [10.7] 2.8	39.6 [11.6] 34.9 [10.2] 2.8	38.5 [11.3] 32.4 [9.5] 2.7
	95 [35]	Total BTUH [kW] Sens BTUH [kW] Power	44.6 [13.1] 26.4 [7.7] 3.0	43.8 [12.8] 25.2 [7.4] 3.0	42.6 [12.5] 23.4 [6.9] 2.9	41.8 [12.3] 31.5 [9.2] 3.0	41.1 [12.0] 30.1 [8.8] 3.0	39.9 [11.7] 27.9 [8.2] 2.9	38.9 [11.4] 35.8 [10.5] 3.0	38.2 [11.2] 34.2 [10.0] 2.9	37.1 [10.9] 31.7 [9.3] 2.9
	100 [37.8]	Total BTUH [kW] Sens BTUH [kW] Power	43.1 [12.6] 25.6 [7.5] 3.2	42.3 [12.4] 24.4 [7.2] 3.1	41.1 [12.1] 22.7 [6.6] 3.1	40.4 [11.8] 30.7 [9.0] 3.2	39.6 [11.6] 29.3 [8.6] 3.1	38.5 [11.3] 27.2 [8.0] 3.1	37.4 [11.0] 34.9 [10.2] 3.1	36.7 [10.8] 33.4 [9.8] 3.1	35.7 [10.5] 31.0 [9.1] 3.1
	105 [40.6]	Total BTUH [kW] Sens BTUH [kW] Power	41.6 [12.2] 24.7 [7.2] 3.4	40.8 [12.0] 23.6 [6.9] 3.3	39.7 [11.6] 21.9 [6.4] 3.3	38.8 [11.4] 29.8 [8.7] 3.3	38.1 [11.2] 28.5 [8.3] 3.3	37.1 [10.9] 26.4 [7.7] 3.3	35.9 [10.5] 34.1 [10.0] 3.3	35.2 [10.3] 32.5 [9.5] 3.3	34.3 [10.0] 30.2 [8.8] 3.3
	110 [43.3]	Total BTUH [kW] Sens BTUH [kW] Power	40.0 [11.7] 23.8 [7.0] 3.6	39.3 [11.5] 22.7 [6.7] 3.5	38.2 [11.2] 21.1 [6.2] 3.5	37.2 [10.9] 28.9 [8.5] 3.5	36.6 [10.7] 27.6 [8.1] 3.5	35.6 [10.4] 25.6 [7.5] 3.5	34.3 [10.0] 33.1 [9.7] 3.5	33.7 [9.9] 31.6 [9.3] 3.5	32.7 [9.6] 29.4 [8.6] 3.5
	115 [46.1]	Total BTUH [kW] Sens BTUH [kW] Power	38.3 [11.2] 22.8 [6.7] 3.8	37.7 [11.0] 21.8 [6.4] 3.7	36.6 [10.7] 20.2 [5.9] 3.7	35.6 [10.4] 27.9 [8.2] 3.8	35.0 [10.2] 26.6 [7.8] 3.7	34.0 [10.0] 24.7 [7.2] 3.7	32.7 [9.6] 32.1 [9.4] 3.7	32.1 [9.4] 30.7 [9.0] 3.7	31.2 [9.1] 28.5 [8.4] 3.7
	120 [48.9]	Total BTUH [kW] Sens BTUH [kW] Power	36.7 [10.7] 21.7 [6.4] 4.0	36.0 [10.6] 20.8 [6.1] 4.0	35.0 [10.3] 19.3 [5.6] 3.9	33.9 [9.9] 26.8 [7.9] 4.0	33.3 [9.8] 25.6 [7.5] 3.9	32.4 [9.5] 23.8 [7.0] 3.9	31.0 [9.1] 31.0 [9.1] 4.0	30.4 [8.9] 29.7 [8.7] 3.9	29.6 [8.7] 27.6 [8.1] 3.9
	125 [51.7]	Total BTUH [kW] Sens BTUH [kW] Power	34.9 [10.2] 20.6 [6.1] 4.2	34.3 [10.1] 19.7 [5.8] 4.2	33.3 [9.8] 18.3 [5.4] 4.1	32.2 [9.4] 25.8 [7.5] 4.2	31.6 [9.3] 24.6 [7.2] 4.2	30.7 [9.0] 22.8 [6.7] 4.1	29.2 [8.6] 29.2 [8.6] 4.2	28.7 [8.4] 28.7 [8.4] 4.1	27.9 [8.2] 26.6 [7.8] 4.1

DR —Depression ratio  
dbE —Entering air dry bulb  
wbE—Entering air wet bulb

Total —Total capacity x 1000 BTUH  
Sens —Sensible capacity x 1000 BTUH  
Power —KW input

NOTES: ① When the entering air dry bulb is other than 80°F [27°C], adjust the sensible capacity from the table by adding [1.10 x CFM x (1 - DR) x (dbE - 80)].

[ ] Designates Metric Conversions

## GROSS SYSTEMS PERFORMANCE DATA – RGEA14048A

ENTERING INDOOR AIR @ 80°F [26.7°C] dbE ①											
wbE		71°F [21.7°C]			67°F [19.4°C]			63°F [17.2°C]			
CFM [L/s]		1700 [802]	1550 [732]	1320 [623]	1700 [802]	1550 [732]	1320 [623]	1700 [802]	1550 [732]	1320 [623]	
DR ①		0.19	0.18	0.15	0.19	0.18	0.15	0.19	0.18	0.15	
OUTDOOR DRY BULB TEMPERATURE °F [°C]	75 [23.9]	Total BTUH [kW]	58.3 [17.1]	57.3 [16.8]	55.8 [16.3]	54.6 [16.0]	53.7 [15.7]	52.2 [15.3]	51.6 [15.1]	50.7 [14.9]	49.3 [14.5]
		Sens BTUH [kW]	33.2 [9.7]	31.8 [9.3]	29.6 [8.7]	39.2 [11.5]	37.5 [11.0]	34.9 [10.2]	44.7 [13.1]	42.8 [12.5]	39.8 [11.7]
		Power	2.7	2.6	2.6	2.7	2.6	2.6	2.6	2.6	2.6
	80 [26.7]	Total BTUH [kW]	56.8 [16.7]	55.8 [16.4]	54.3 [15.9]	53.1 [15.6]	52.2 [15.3]	50.8 [14.9]	50.1 [14.7]	49.2 [14.4]	47.9 [14.0]
		Sens BTUH [kW]	32.5 [9.5]	31.1 [9.1]	28.9 [8.5]	38.5 [11.3]	36.8 [10.8]	34.3 [10.0]	44.0 [12.9]	42.1 [12.3]	39.2 [11.5]
		Power	2.8	2.8	2.8	2.8	2.8	2.7	2.8	2.8	2.7
	85 [29.4]	Total BTUH [kW]	55.3 [16.2]	54.3 [15.9]	52.8 [15.5]	51.5 [15.1]	50.6 [14.8]	49.3 [14.4]	48.5 [14.2]	47.7 [14.0]	46.4 [13.6]
		Sens BTUH [kW]	31.7 [9.3]	30.3 [8.9]	28.2 [8.3]	37.7 [11.0]	36.0 [10.6]	33.6 [9.8]	43.2 [12.7]	41.3 [12.1]	38.4 [11.3]
		Power	3.0	2.9	2.9	2.9	2.9	2.9	2.9	2.9	2.9
	90 [32.2]	Total BTUH [kW]	53.6 [15.7]	52.7 [15.4]	51.3 [15.0]	49.9 [14.6]	49.0 [14.4]	47.7 [14.0]	46.9 [13.7]	46.1 [13.5]	44.8 [13.1]
		Sens BTUH [kW]	30.8 [9.0]	29.5 [8.6]	27.4 [8.0]	36.8 [10.8]	35.2 [10.3]	32.8 [9.6]	42.3 [12.4]	40.5 [11.9]	37.7 [11.0]
		Power	3.1	3.1	3.1	3.1	3.1	3.0	3.1	3.1	3.0
95 [35]	Total BTUH [kW]	51.9 [15.2]	51.0 [14.9]	49.6 [14.5]	48.2 [14.1]	47.3 [13.9]	46.1 [13.5]	45.2 [13.2]	44.4 [13.0]	43.2 [12.7]	
	Sens BTUH [kW]	29.9 [8.8]	28.6 [8.4]	26.6 [7.8]	35.9 [10.5]	34.3 [10.1]	32.0 [9.4]	41.4 [12.1]	39.6 [11.6]	36.8 [10.8]	
	Power	3.3	3.3	3.2	3.3	3.3	3.2	3.3	3.3	3.2	
100 [37.8]	Total BTUH [kW]	50.1 [14.7]	49.2 [14.4]	47.9 [14.0]	46.4 [13.6]	45.6 [13.4]	44.3 [13.0]	43.4 [12.7]	42.6 [12.5]	41.5 [12.2]	
	Sens BTUH [kW]	28.9 [8.5]	27.6 [8.1]	25.7 [7.5]	34.9 [10.2]	33.4 [9.8]	31.1 [9.1]	40.4 [11.8]	38.6 [11.3]	36.0 [10.5]	
	Power	3.5	3.5	3.4	3.5	3.5	3.4	3.5	3.4	3.4	
105 [40.6]	Total BTUH [kW]	48.2 [14.1]	47.4 [13.9]	46.1 [13.5]	44.5 [13.0]	43.7 [12.8]	42.6 [12.5]	41.5 [12.2]	40.8 [12.0]	39.7 [11.6]	
	Sens BTUH [kW]	27.8 [8.2]	26.6 [7.8]	24.8 [7.3]	33.8 [9.9]	32.4 [9.5]	30.1 [8.8]	39.3 [11.5]	37.6 [11.0]	35.0 [10.3]	
	Power	3.7	3.7	3.6	3.7	3.7	3.6	3.7	3.7	3.6	
110 [43.3]	Total BTUH [kW]	46.3 [13.6]	45.5 [13.3]	44.3 [13.0]	42.6 [12.5]	41.9 [12.3]	40.7 [11.9]	39.6 [11.6]	38.9 [11.4]	37.9 [11.1]	
	Sens BTUH [kW]	26.7 [7.8]	25.6 [7.5]	23.8 [7.0]	32.7 [9.6]	31.3 [9.2]	29.1 [8.5]	38.2 [11.2]	36.6 [10.7]	34.0 [10.0]	
	Power	3.9	3.9	3.9	3.9	3.9	3.8	3.9	3.9	3.8	
115 [46.1]	Total BTUH [kW]	44.3 [13.0]	43.5 [12.8]	42.4 [12.4]	40.6 [11.9]	39.9 [11.7]	38.8 [11.4]	37.6 [11.0]	36.9 [10.8]	35.9 [10.5]	
	Sens BTUH [kW]	25.5 [7.5]	24.4 [7.2]	22.7 [6.7]	31.6 [9.2]	30.2 [8.8]	28.1 [8.2]	37.1 [10.9]	35.5 [10.4]	33.0 [9.7]	
	Power	4.2	4.2	4.1	4.2	4.1	4.1	4.2	4.1	4.1	
120 [48.9]	Total BTUH [kW]	42.2 [12.4]	41.5 [12.2]	40.4 [11.8]	38.5 [11.3]	37.9 [11.1]	36.8 [10.8]	35.5 [10.4]	34.9 [10.2]	34.0 [10.0]	
	Sens BTUH [kW]	24.3 [7.1]	23.3 [6.8]	21.7 [6.3]	30.3 [8.9]	29.0 [8.5]	27.0 [7.9]	35.5 [10.4]	34.3 [10.0]	31.9 [9.3]	
	Power	4.4	4.4	4.3	4.4	4.4	4.3	4.4	4.4	4.3	
125 [51.7]	Total BTUH [kW]	40.1 [11.8]	39.4 [11.5]	38.3 [11.2]	36.4 [10.7]	35.7 [10.5]	34.8 [10.2]	33.4 [9.8]	32.8 [9.6]	31.9 [9.4]	
	Sens BTUH [kW]	23.0 [6.7]	22.0 [6.5]	20.5 [6.0]	29.0 [8.5]	27.8 [8.1]	25.9 [7.6]	33.4 [9.8]	32.8 [9.6]	30.8 [9.0]	
	Power	4.7	4.7	4.6	4.7	4.6	4.6	4.7	4.6	4.6	

DR —Depression ratio  
dbE —Entering air dry bulb  
wbE—Entering air wet bulb

Total —Total capacity x 1000 BTUH  
Sens —Sensible capacity x 1000 BTUH  
Power —KW input

NOTES: ① When the entering air dry bulb is other than 80°F [27°C], adjust the sensible capacity from the table by adding  $[1.10 \times \text{CFM} \times (1 - \text{DR}) \times (\text{dbE} - 80)]$ .

[ ] Designates Metric Conversions

## GROSS SYSTEMS PERFORMANCE DATA—RGEA14060A

ENTERING INDOOR AIR @ 80°F [26.7°C] dbE ①											
wbE		71°F [21.7°C]			67°F [19.4°C]			63°F [17.2°C]			
CFM [L/s]		2040 [963]	1850 [873]	1570 [741]	2040 [963]	1850 [873]	1570 [741]	2040 [963]	1850 [873]	1570 [741]	
DR ①		0.15	0.14	0.11	0.15	0.14	0.11	0.15	0.14	0.11	
OUTDOOR DRY BULB TEMPERATURE °F [°C]	75 [23.9]	Total BTUH [kW] Sens BTUH [kW] Power	73.0 [21.4] 42.4 [12.4] 3.6	71.7 [21.0] 40.5 [11.9] 3.6	69.7 [20.4] 37.6 [11.0] 3.5	69.2 [20.3] 50.0 [14.6] 3.6	67.9 [19.9] 47.7 [14.0] 3.5	66.0 [19.3] 44.3 [13.0] 3.5	65.8 [19.3] 56.9 [16.7] 3.5	64.6 [18.9] 54.3 [15.9] 3.5	62.8 [18.4] 50.5 [14.8] 3.4
	80 [26.7]	Total BTUH [kW] Sens BTUH [kW] Power	70.9 [20.8] 41.3 [12.1] 3.8	69.6 [20.4] 39.4 [11.6] 3.7	67.7 [19.8] 36.6 [10.7] 3.7	67.1 [19.6] 48.8 [14.3] 3.7	65.8 [19.3] 46.6 [13.7] 3.7	64.0 [18.8] 43.3 [12.7] 3.6	63.7 [18.7] 55.8 [16.4] 3.7	62.5 [18.3] 53.2 [15.6] 3.7	60.8 [17.8] 49.5 [14.5] 3.6
	85 [29.4]	Total BTUH [kW] Sens BTUH [kW] Power	68.8 [20.2] 40.1 [11.8] 4.0	67.6 [19.8] 38.3 [11.2] 3.9	65.7 [19.3] 35.6 [10.4] 3.9	64.9 [19.0] 47.7 [14.0] 3.9	63.7 [18.7] 45.5 [13.3] 3.9	62.0 [18.2] 42.3 [12.4] 3.8	61.5 [18.0] 54.6 [16.0] 3.9	60.4 [17.7] 52.1 [15.3] 3.8	58.8 [17.2] 48.5 [14.2] 3.8
	90 [32.2]	Total BTUH [kW] Sens BTUH [kW] Power	66.7 [19.5] 38.9 [11.4] 4.2	65.4 [19.2] 37.2 [10.9] 4.1	63.6 [18.6] 34.5 [10.1] 4.1	62.8 [18.4] 46.5 [13.6] 4.1	61.6 [18.1] 44.3 [13.0] 4.1	59.9 [17.6] 41.2 [12.1] 4.0	59.4 [17.4] 53.4 [15.7] 4.1	58.3 [17.1] 51.0 [14.9] 4.0	56.7 [16.6] 47.4 [13.9] 4.0
	95 [35]	Total BTUH [kW] Sens BTUH [kW] Power	64.5 [18.9] 37.7 [11.0] 4.4	63.3 [18.5] 36.0 [10.5] 4.3	61.5 [18.0] 33.4 [9.8] 4.3	60.6 [17.7] 45.2 [13.3] 4.3	59.5 [17.4] 43.2 [12.6] 4.3	57.8 [16.9] 40.1 [11.8] 4.2	57.2 [16.8] 52.2 [15.3] 4.3	56.1 [16.5] 49.8 [14.6] 4.3	54.6 [16.0] 46.3 [13.6] 4.2
	100 [37.8]	Total BTUH [kW] Sens BTUH [kW] Power	62.2 [18.2] 36.4 [10.7] 4.6	61.1 [17.9] 34.7 [10.2] 4.6	59.4 [17.4] 32.3 [9.5] 4.5	58.3 [17.1] 43.9 [12.9] 4.6	57.3 [16.8] 41.9 [12.3] 4.5	55.7 [16.3] 39.0 [11.4] 4.5	55.0 [16.1] 50.9 [14.9] 4.5	54.0 [15.8] 48.6 [14.2] 4.5	52.5 [15.4] 45.1 [13.2] 4.4
	105 [40.6]	Total BTUH [kW] Sens BTUH [kW] Power	60.0 [17.6] 35.1 [10.3] 4.9	58.9 [17.3] 33.5 [9.8] 4.8	57.3 [16.8] 31.1 [9.1] 4.8	56.1 [16.4] 42.6 [12.5] 4.8	55.1 [16.1] 40.7 [11.9] 4.8	53.5 [15.7] 37.8 [11.1] 4.7	52.7 [15.4] 49.6 [14.5] 4.8	51.8 [15.2] 47.3 [13.9] 4.8	50.3 [14.7] 44.0 [12.9] 4.7
	110 [43.3]	Total BTUH [kW] Sens BTUH [kW] Power	57.7 [16.9] 33.7 [9.9] 5.2	56.6 [16.6] 32.2 [9.4] 5.1	55.1 [16.1] 29.9 [8.8] 5.0	53.8 [15.8] 41.2 [12.1] 5.1	52.8 [15.5] 39.3 [11.5] 5.1	51.4 [15.1] 36.6 [10.7] 5.0	50.4 [14.8] 48.2 [14.1] 5.1	49.5 [14.5] 46.0 [13.5] 5.0	48.1 [14.1] 42.7 [12.5] 5.0
	115 [46.1]	Total BTUH [kW] Sens BTUH [kW] Power	55.4 [16.2] 32.3 [9.5] 5.4	54.4 [15.9] 30.8 [9.0] 5.4	52.9 [15.5] 28.6 [8.4] 5.3	51.5 [15.1] 39.8 [11.7] 5.4	50.5 [14.8] 38.0 [11.1] 5.4	49.2 [14.4] 35.3 [10.3] 5.3	48.1 [14.1] 46.8 [13.7] 5.4	47.2 [13.8] 44.6 [13.1] 5.3	45.9 [13.5] 41.5 [12.2] 5.2
	120 [48.9]	Total BTUH [kW] Sens BTUH [kW] Power	53.0 [15.5] 30.8 [9.0] 5.8	52.1 [15.3] 29.4 [8.6] 5.7	50.6 [14.8] 27.3 [8.0] 5.6	49.1 [14.4] 38.4 [11.2] 5.7	48.2 [14.1] 36.6 [10.7] 5.7	46.9 [13.7] 34.0 [10.0] 5.6	45.8 [13.4] 45.3 [13.3] 5.7	44.9 [13.2] 43.2 [12.7] 5.6	43.7 [12.8] 40.2 [11.8] 5.5
125 [51.7]	Total BTUH [kW] Sens BTUH [kW] Power	50.7 [14.8] 29.3 [8.6] 6.1	49.7 [14.6] 28.0 [8.2] 6.0	48.4 [14.2] 26.0 [7.6] 6.0	46.8 [13.7] 36.9 [10.8] 6.0	45.9 [13.5] 35.2 [10.3] 6.0	44.6 [13.1] 32.7 [9.6] 5.9	43.4 [12.7] 43.4 [12.7] 6.0	42.6 [12.5] 41.8 [12.3] 6.0	41.4 [12.1] 38.9 [11.4] 5.9	

DR —Depression ratio  
dbE —Entering air dry bulb  
wbE—Entering air wet bulb

Total —Total capacity x 1000 BTUH  
Sens —Sensible capacity x 1000 BTUH  
Power —KW input

NOTES: ① When the entering air dry bulb is other than 80°F [27°C], adjust the sensible capacity from the table by adding  $[1.10 \times \text{CFM} \times (1 - \text{DR}) \times (\text{dbE} - 80)]$ .

[ ] Designates Metric Conversions

## GROSS SYSTEMS PERFORMANCE DATA – RGEA15024A

ENTERING INDOOR AIR @ 80°F [26.7°C] dbE ①											
wbE		71°F [21.7°C]			67°F [19.4°C]			63°F [17.2°C]			
CFM [L/s]		990 [467]	900 [425]	760 [359]	990 [467]	900 [425]	760 [359]	990 [467]	900 [425]	760 [359]	
DR ①		0.21	0.19	0.15	0.21	0.19	0.15	0.21	0.19	0.15	
OUTDOOR DRY BULB TEMPERATURE °F [°C]	75 [23.9]	Total BTUH [kW] Sens BTUH [kW] Power	30.9 [9.1] 18.7 [5.5] 1.4	30.4 [8.9] 17.9 [5.2] 1.4	29.5 [8.7] 16.6 [4.9] 1.4	29.1 [8.5] 21.9 [6.4] 1.4	28.6 [8.4] 20.9 [6.1] 1.4	27.8 [8.1] 19.4 [5.7] 1.4	27.5 [8.1] 24.6 [7.2] 1.4	27.0 [7.9] 23.5 [6.9] 1.4	26.2 [7.7] 21.8 [6.4] 1.4
	80 [26.7]	Total BTUH [kW] Sens BTUH [kW] Power	30.0 [8.8] 18.2 [5.3] 1.5	29.4 [8.6] 17.4 [5.1] 1.5	28.6 [8.4] 16.1 [4.7] 1.5	28.1 [8.2] 21.4 [6.3] 1.5	27.6 [8.1] 20.4 [6.0] 1.5	26.8 [7.9] 18.9 [5.5] 1.5	26.5 [7.8] 24.0 [7.0] 1.5	26.0 [7.6] 23.0 [6.7] 1.5	25.3 [7.4] 21.3 [6.2] 1.5
	85 [29.4]	Total BTUH [kW] Sens BTUH [kW] Power	29.0 [8.5] 17.6 [5.2] 1.6	28.5 [8.3] 16.8 [4.9] 1.6	27.7 [8.1] 15.6 [4.6] 1.6	27.1 [8.0] 20.8 [6.1] 1.6	26.7 [7.8] 19.9 [5.8] 1.6	25.9 [7.6] 18.4 [5.4] 1.6	25.5 [7.5] 23.5 [6.9] 1.6	25.1 [7.3] 22.4 [6.6] 1.6	24.4 [7.1] 20.8 [6.1] 1.6
	90 [32.2]	Total BTUH [kW] Sens BTUH [kW] Power	28.0 [8.2] 17.0 [5.0] 1.7	27.5 [8.1] 16.3 [4.8] 1.7	26.7 [7.8] 15.1 [4.4] 1.7	26.1 [7.7] 20.2 [5.9] 1.7	25.7 [7.5] 19.3 [5.7] 1.7	25.0 [7.3] 17.9 [5.3] 1.7	24.5 [7.2] 22.9 [6.7] 1.7	24.1 [7.1] 21.9 [6.4] 1.7	23.4 [6.9] 20.3 [5.9] 1.7
	95 [35]	Total BTUH [kW] Sens BTUH [kW] Power	27.0 [7.9] 16.5 [4.8] 1.9	26.5 [7.8] 15.7 [4.6] 1.8	25.7 [7.5] 14.6 [4.3] 1.8	25.1 [7.4] 19.7 [5.8] 1.8	24.7 [7.2] 18.8 [5.5] 1.8	24.0 [7.0] 17.4 [5.1] 1.8	23.5 [6.9] 22.3 [6.5] 1.8	23.1 [6.8] 21.3 [6.2] 1.8	22.4 [6.6] 19.8 [5.8] 1.8
	100 [37.8]	Total BTUH [kW] Sens BTUH [kW] Power	25.9 [7.6] 15.9 [4.6] 2.0	25.5 [7.5] 15.2 [4.4] 2.0	24.8 [7.3] 14.1 [4.1] 1.9	24.1 [7.1] 19.1 [5.6] 2.0	23.7 [6.9] 18.2 [5.3] 2.0	23.0 [6.7] 16.9 [5.0] 1.9	22.5 [6.6] 21.7 [6.4] 2.0	22.1 [6.5] 20.8 [6.1] 1.9	21.5 [6.3] 19.2 [5.6] 1.9
	105 [40.6]	Total BTUH [kW] Sens BTUH [kW] Power	24.9 [7.3] 15.3 [4.5] 2.1	24.5 [7.2] 14.6 [4.3] 2.1	23.8 [7.0] 13.5 [4.0] 2.1	23.1 [6.8] 18.5 [5.4] 2.1	22.6 [6.6] 17.7 [5.2] 2.1	22.0 [6.4] 16.4 [4.8] 2.1	21.4 [6.3] 21.1 [6.2] 2.1	21.1 [6.2] 20.2 [5.9] 2.1	20.5 [6.0] 18.7 [5.5] 2.0
	110 [43.3]	Total BTUH [kW] Sens BTUH [kW] Power	23.8 [7.0] 14.7 [4.3] 2.3	23.4 [6.9] 14.0 [4.1] 2.2	22.7 [6.7] 13.0 [3.8] 2.2	22.0 [6.4] 17.9 [5.2] 2.2	21.6 [6.3] 17.1 [5.0] 2.2	21.0 [6.1] 15.8 [4.6] 2.2	20.4 [6.0] 20.4 [6.0] 2.2	20.0 [5.9] 19.6 [5.7] 2.2	19.4 [5.7] 18.2 [5.3] 2.2
	115 [46.1]	Total BTUH [kW] Sens BTUH [kW] Power	22.8 [6.7] 14.1 [4.1] 2.4	22.3 [6.5] 13.4 [3.9] 2.4	21.7 [6.4] 12.5 [3.6] 2.3	20.9 [6.1] 17.3 [5.1] 2.4	20.5 [6.0] 16.5 [4.8] 2.4	19.9 [5.8] 15.3 [4.5] 2.3	19.3 [5.7] 19.3 [5.7] 2.4	18.9 [5.6] 18.9 [5.6] 2.4	18.4 [5.4] 17.6 [5.2] 2.3
	120 [48.9]	Total BTUH [kW] Sens BTUH [kW] Power	21.7 [6.3] 13.4 [3.9] 2.6	21.3 [6.2] 12.8 [3.8] 2.5	20.7 [6.1] 11.9 [3.5] 2.5	19.8 [5.8] 16.6 [4.9] 2.5	19.5 [5.7] 15.9 [4.7] 2.5	18.9 [5.5] 14.7 [4.3] 2.5	18.2 [5.3] 18.2 [5.3] 2.5	17.9 [5.2] 17.9 [5.2] 2.5	17.4 [5.1] 17.1 [5.0] 2.5
	125 [51.7]	Total BTUH [kW] Sens BTUH [kW] Power	20.5 [6.0] 12.8 [3.8] 2.7	20.2 [5.9] 12.2 [3.6] 2.7	19.6 [5.7] 11.3 [3.3] 2.7	18.7 [5.5] 16.0 [4.7] 2.7	18.4 [5.4] 15.3 [4.5] 2.7	17.8 [5.2] 14.2 [4.2] 2.7	17.1 [5.0] 17.1 [5.0] 2.7	16.8 [4.9] 16.8 [4.9] 2.7	16.3 [4.8] 16.3 [4.8] 2.6

DR —Depression ratio  
dbE —Entering air dry bulb  
wbE—Entering air wet bulb

Total —Total capacity x 1000 BTUH  
Sens —Sensible capacity x 1000 BTUH  
Power —KW input

NOTES: ① When the entering air dry bulb is other than 80°F [27°C], adjust the sensible capacity from the table by adding [1.10 x CFM x (1 – DR) x (dbE – 80)].

[ ] Designates Metric Conversions



## GROSS SYSTEMS PERFORMANCE DATA—RGEA15030A

ENTERING INDOOR AIR @ 80°F [26.7°C] dbE ①											
wbE		71°F [21.7°C]			67°F [19.4°C]			63°F [17.2°C]			
CFM [L/s]		1070 [505]	975 [460]	830 [392]	1070 [505]	975 [460]	830 [392]	1070 [505]	975 [460]	830 [392]	
DR ①		0.16	0.14	0.1	0.16	0.14	0.1	0.16	0.14	0.1	
OUTDOOR DRY BULB TEMPERATURE °F [°C]	75 [23.9]	Total BTUH [kW] Sens BTUH [kW] Power	36.8 [10.8] 21.5 [6.3] 1.7	36.1 [10.6] 20.5 [6.0] 1.7	35.2 [10.3] 19.1 [5.6] 1.6	34.3 [10.1] 25.1 [7.4] 1.7	33.7 [9.9] 24.0 [7.0] 1.6	32.8 [9.6] 22.4 [6.6] 1.6	32.4 [9.5] 28.3 [8.3] 1.6	31.8 [9.3] 27.1 [7.9] 1.6	31.0 [9.1] 25.2 [7.4] 1.6
	80 [26.7]	Total BTUH [kW] Sens BTUH [kW] Power	35.7 [10.5] 21.0 [6.1] 1.8	35.1 [10.3] 20.1 [5.9] 1.7	34.2 [10.0] 18.7 [5.5] 1.7	33.3 [9.7] 24.7 [7.2] 1.7	32.7 [9.6] 23.6 [6.9] 1.7	31.8 [9.3] 21.9 [6.4] 1.7	31.3 [9.2] 27.8 [8.2] 1.7	30.8 [9.0] 26.6 [7.8] 1.7	30.0 [8.8] 24.8 [7.3] 1.7
	85 [29.4]	Total BTUH [kW] Sens BTUH [kW] Power	34.7 [10.2] 20.5 [6.0] 1.9	34.1 [10.0] 19.6 [5.7] 1.8	33.2 [9.7] 18.2 [5.3] 1.8	32.2 [9.4] 24.2 [7.1] 1.8	31.7 [9.3] 23.1 [6.8] 1.8	30.8 [9.0] 21.5 [6.3] 1.8	30.3 [8.9] 27.4 [8.0] 1.8	29.8 [8.7] 26.2 [7.7] 1.8	29.0 [8.5] 24.3 [7.1] 1.8
	90 [32.2]	Total BTUH [kW] Sens BTUH [kW] Power	33.7 [9.9] 20.0 [5.9] 2.0	33.1 [9.7] 19.1 [5.6] 1.9	32.2 [9.4] 17.8 [5.2] 1.9	31.2 [9.1] 23.6 [6.9] 1.9	30.6 [9.0] 22.6 [6.6] 1.9	29.8 [8.7] 21.0 [6.2] 1.9	29.2 [8.6] 26.8 [7.9] 1.9	28.7 [8.4] 25.7 [7.5] 1.9	28.0 [8.2] 23.9 [7.0] 1.9
	95 [35]	Total BTUH [kW] Sens BTUH [kW] Power	32.6 [9.5] 19.4 [5.7] 2.1	32.0 [9.4] 18.6 [5.4] 2.1	31.2 [9.1] 17.3 [5.1] 2.0	30.1 [8.8] 23.1 [6.8] 2.1	29.6 [8.7] 22.1 [6.5] 2.0	28.8 [8.4] 20.5 [6.0] 2.0	28.2 [8.3] 26.3 [7.7] 2.0	27.7 [8.1] 25.1 [7.4] 2.0	26.9 [7.9] 23.4 [6.9] 2.0
	100 [37.8]	Total BTUH [kW] Sens BTUH [kW] Power	31.5 [9.2] 18.8 [5.5] 2.2	31.0 [9.1] 18.0 [5.3] 2.2	30.1 [8.8] 16.8 [4.9] 2.1	29.0 [8.5] 22.5 [6.6] 2.2	28.5 [8.4] 21.5 [6.3] 2.2	27.7 [8.1] 20.0 [5.9] 2.1	27.1 [7.9] 25.7 [7.5] 2.2	26.6 [7.8] 24.6 [7.2] 2.1	25.9 [7.6] 22.9 [6.7] 2.1
	105 [40.6]	Total BTUH [kW] Sens BTUH [kW] Power	30.4 [8.9] 18.2 [5.3] 2.3	29.9 [8.8] 17.4 [5.1] 2.3	29.1 [8.5] 16.2 [4.8] 2.3	27.9 [8.2] 21.9 [6.4] 2.3	27.4 [8.0] 20.9 [6.1] 2.3	26.7 [7.8] 19.5 [5.7] 2.3	26.0 [7.6] 25.1 [7.4] 2.3	25.6 [7.5] 24.0 [7.0] 2.3	24.9 [7.3] 22.3 [6.5] 2.2
	110 [43.3]	Total BTUH [kW] Sens BTUH [kW] Power	29.3 [8.6] 17.6 [5.2] 2.5	28.8 [8.4] 16.8 [4.9] 2.4	28.0 [8.2] 15.7 [4.6] 2.4	26.8 [7.9] 21.3 [6.2] 2.4	26.4 [7.7] 20.3 [6.0] 2.4	25.6 [7.5] 18.9 [5.5] 2.4	24.9 [7.3] 24.4 [7.2] 2.4	24.5 [7.2] 23.4 [6.9] 2.4	23.8 [7.0] 21.8 [6.4] 2.4
	115 [46.1]	Total BTUH [kW] Sens BTUH [kW] Power	28.2 [8.3] 16.9 [5.0] 2.6	27.7 [8.1] 16.2 [4.7] 2.6	27.0 [7.9] 15.1 [4.4] 2.5	25.7 [7.5] 20.6 [6.0] 2.6	25.3 [7.4] 19.7 [5.8] 2.6	24.6 [7.2] 18.3 [5.4] 2.5	23.8 [7.0] 23.8 [7.0] 2.6	23.4 [6.8] 22.7 [6.7] 2.6	22.7 [6.7] 21.2 [6.2] 2.5
	120 [48.9]	Total BTUH [kW] Sens BTUH [kW] Power	27.1 [7.9] 16.2 [4.8] 2.8	26.6 [7.8] 15.5 [4.5] 2.7	25.9 [7.6] 14.4 [4.2] 2.7	24.6 [7.2] 19.9 [5.8] 2.7	24.2 [7.1] 19.0 [5.6] 2.7	23.5 [6.9] 17.7 [5.2] 2.7	22.7 [6.6] 22.7 [6.6] 2.7	22.3 [6.5] 22.1 [6.5] 2.7	21.7 [6.3] 20.5 [6.0] 2.7
125 [51.7]	Total BTUH [kW] Sens BTUH [kW] Power	25.9 [7.6] 15.5 [4.5] 2.9	25.5 [7.5] 14.8 [4.3] 2.9	24.8 [7.3] 13.8 [4.0] 2.8	23.4 [6.9] 19.2 [5.6] 2.9	23.0 [6.7] 18.3 [5.4] 2.9	22.4 [6.6] 17.1 [5.0] 2.8	21.5 [6.3] 21.5 [6.3] 2.9	21.1 [6.2] 21.1 [6.2] 2.9	20.6 [6.0] 19.9 [5.8] 2.8	

DR —Depression ratio  
dbE —Entering air dry bulb  
wbE—Entering air wet bulb

Total —Total capacity x 1000 BTUH  
Sens —Sensible capacity x 1000 BTUH  
Power —KW input

NOTES: ① When the entering air dry bulb is other than 80°F [27°C], adjust the sensible capacity from the table by adding [1.10 x CFM x (1 – DR) x (dbE – 80)].

[ ] Designates Metric Conversions



## GROSS SYSTEMS PERFORMANCE DATA – RGEA15036A

ENTERING INDOOR AIR @ 80°F [26.7°C] dbE ①											
wbE		71°F [21.7°C]			67°F [19.4°C]			63°F [17.2°C]			
CFM [L/s]		1320 [623]	1200 [566]	1020 [481]	1320 [623]	1200 [566]	1020 [481]	1320 [623]	1200 [566]	1020 [481]	
DR ①		0.19	0.18	0.15	0.19	0.18	0.15	0.19	0.18	0.15	
OUTDOOR DRY BULB TEMPERATURE °F [°C]	75 [23.9]	Total BTUH [kW]	44.8 [13.1]	44.0 [12.9]	42.8 [12.5]	41.9 [12.3]	41.1 [12.1]	40.0 [11.7]	38.9 [11.4]	38.2 [11.2]	37.2 [10.9]
		Sens BTUH [kW]	26.2 [7.7]	25.0 [7.3]	23.3 [6.8]	30.6 [9.0]	29.2 [8.6]	27.2 [8.0]	33.9 [9.9]	32.4 [9.5]	30.1 [8.8]
		Power	2.0	2.0	2.0	2.0	2.0	2.0	2.0	2.0	2.0
	80 [26.7]	Total BTUH [kW]	43.5 [12.8]	42.7 [12.5]	41.6 [12.2]	40.6 [11.9]	39.9 [11.7]	38.8 [11.4]	37.6 [11.0]	36.9 [10.8]	35.9 [10.5]
		Sens BTUH [kW]	25.4 [7.5]	24.3 [7.1]	22.6 [6.6]	29.9 [8.7]	28.5 [8.4]	26.5 [7.8]	33.2 [9.7]	31.7 [9.3]	29.5 [8.6]
		Power	2.1	2.1	2.1	2.1	2.1	2.1	2.1	2.1	2.1
	85 [29.4]	Total BTUH [kW]	42.2 [12.4]	41.4 [12.1]	40.3 [11.8]	39.3 [11.5]	38.6 [11.3]	37.5 [11.0]	36.3 [10.6]	35.6 [10.4]	34.6 [10.2]
		Sens BTUH [kW]	24.7 [7.2]	23.6 [6.9]	21.9 [6.4]	29.1 [8.5]	27.8 [8.1]	25.9 [7.6]	32.4 [9.5]	31.0 [9.1]	28.8 [8.4]
		Power	2.3	2.2	2.2	2.2	2.2	2.2	2.2	2.2	2.2
	90 [32.2]	Total BTUH [kW]	40.9 [12.0]	40.1 [11.8]	39.0 [11.4]	37.9 [11.1]	37.2 [10.9]	36.2 [10.6]	34.9 [10.2]	34.3 [10.1]	33.4 [9.8]
		Sens BTUH [kW]	23.9 [7.0]	22.9 [6.7]	21.3 [6.2]	28.3 [8.3]	27.1 [7.9]	25.2 [7.4]	31.6 [9.3]	30.2 [8.9]	28.1 [8.2]
		Power	2.4	2.4	2.3	2.4	2.4	2.3	2.4	2.3	2.3
95 [35]	Total BTUH [kW]	39.5 [11.6]	38.8 [11.4]	37.7 [11.1]	36.6 [10.7]	35.9 [10.5]	34.9 [10.2]	33.6 [9.8]	33.0 [9.7]	32.1 [9.4]	
	Sens BTUH [kW]	23.1 [6.8]	22.1 [6.5]	20.6 [6.0]	27.5 [8.1]	26.3 [7.7]	24.5 [7.2]	30.9 [9.0]	29.5 [8.6]	27.4 [8.0]	
	Power	2.5	2.5	2.5	2.5	2.5	2.5	2.5	2.5	2.5	
100 [37.8]	Total BTUH [kW]	38.1 [11.2]	37.5 [11.0]	36.4 [10.7]	35.2 [10.3]	34.6 [10.1]	33.6 [9.9]	32.2 [9.4]	31.6 [9.3]	30.8 [9.0]	
	Sens BTUH [kW]	22.3 [6.5]	21.3 [6.3]	19.9 [5.8]	26.7 [7.8]	25.6 [7.5]	23.8 [7.0]	30.1 [8.8]	28.7 [8.4]	26.7 [7.8]	
	Power	2.7	2.7	2.6	2.7	2.7	2.6	2.7	2.6	2.6	
105 [40.6]	Total BTUH [kW]	36.8 [10.8]	36.1 [10.6]	35.1 [10.3]	33.8 [9.9]	33.2 [9.7]	32.3 [9.5]	30.8 [9.0]	30.3 [8.9]	29.5 [8.6]	
	Sens BTUH [kW]	21.5 [6.3]	20.6 [6.0]	19.1 [5.6]	25.9 [7.6]	24.8 [7.3]	23.0 [6.7]	29.2 [8.6]	27.9 [8.2]	26.0 [7.6]	
	Power	2.9	2.8	2.8	2.8	2.8	2.8	2.8	2.8	2.8	
110 [43.3]	Total BTUH [kW]	35.4 [10.4]	34.7 [10.2]	33.8 [9.9]	32.4 [9.5]	31.9 [9.3]	31.0 [9.1]	29.4 [8.6]	28.9 [8.5]	28.1 [8.2]	
	Sens BTUH [kW]	20.7 [6.1]	19.8 [5.8]	18.4 [5.4]	25.1 [7.4]	24.0 [7.0]	22.3 [6.5]	28.4 [8.3]	27.1 [8.0]	25.2 [7.4]	
	Power	3.0	3.0	3.0	3.0	3.0	3.0	3.0	3.0	2.9	
115 [46.1]	Total BTUH [kW]	34.0 [10.0]	33.4 [9.8]	32.4 [9.5]	31.0 [9.1]	30.5 [8.9]	29.6 [8.7]	28.0 [8.2]	27.5 [8.1]	26.8 [7.8]	
	Sens BTUH [kW]	19.8 [5.8]	18.9 [5.5]	17.6 [5.2]	24.2 [7.1]	23.1 [6.8]	21.5 [6.3]	27.5 [8.1]	26.3 [7.7]	24.5 [7.2]	
	Power	3.2	3.2	3.2	3.2	3.2	3.1	3.2	3.2	3.1	
120 [48.9]	Total BTUH [kW]	32.5 [9.5]	32.0 [9.4]	31.1 [9.1]	29.6 [8.7]	29.1 [8.5]	28.3 [8.3]	26.6 [7.8]	26.1 [7.7]	25.4 [7.4]	
	Sens BTUH [kW]	18.9 [5.6]	18.1 [5.3]	16.8 [4.9]	23.3 [6.8]	22.3 [6.5]	20.7 [6.1]	26.6 [7.8]	25.5 [7.5]	23.7 [6.9]	
	Power	3.4	3.4	3.4	3.4	3.4	3.3	3.4	3.4	3.3	
125 [51.7]	Total BTUH [kW]	31.1 [9.1]	30.5 [9.0]	29.7 [8.7]	28.2 [8.3]	27.7 [8.1]	26.9 [7.9]	25.2 [7.4]	24.7 [7.2]	24.1 [7.0]	
	Sens BTUH [kW]	18.0 [5.3]	17.2 [5.1]	16.0 [4.7]	22.4 [6.6]	21.4 [6.3]	19.9 [5.8]	25.2 [7.4]	24.6 [7.2]	22.9 [6.7]	
	Power	3.6	3.6	3.6	3.6	3.6	3.6	3.6	3.6	3.5	

DR —Depression ratio  
dbE —Entering air dry bulb  
wbE—Entering air wet bulb

Total —Total capacity x 1000 BTUH  
Sens —Sensible capacity x 1000 BTUH  
Power —KW input

NOTES: ① When the entering air dry bulb is other than 80°F [27°C], adjust the sensible capacity from the table by adding  $[1.10 \times \text{CFM} \times (1 - \text{DR}) \times (\text{dbE} - 80)]$ .

[ ] Designates Metric Conversions

## GROSS SYSTEMS PERFORMANCE DATA—RGEA15042A

ENTERING INDOOR AIR @ 80°F [26.7°C] dbE ①											
wbE		71°F [21.7°C]			67°F [19.4°C]			63°F [17.2°C]			
CFM [L/s]		1430 [675]	1300 [614]	1100 [519]	1430 [675]	1300 [614]	1100 [519]	1430 [675]	1300 [614]	1100 [519]	
DR ①		0.17	0.16	0.13	0.17	0.16	0.13	0.17	0.16	0.13	
OUTDOOR DRY BULB TEMPERATURE °F [°C]	75 [23.9]	Total BTUH [kW] Sens BTUH [kW] Power	50.1 [14.7] 28.6 [8.4] 2.4	49.2 [14.4] 27.3 [8.0] 2.3	47.8 [14.0] 25.3 [7.4] 2.3	47.2 [13.8] 33.9 [9.9] 2.4	46.4 [13.6] 32.4 [9.5] 2.3	45.1 [13.2] 30.0 [8.8] 2.3	44.7 [13.1] 38.8 [11.4] 2.3	43.9 [12.9] 37.1 [10.9] 2.3	42.7 [12.5] 34.4 [10.1] 2.3
	80 [26.7]	Total BTUH [kW] Sens BTUH [kW] Power	48.8 [14.3] 27.9 [8.2] 2.5	47.9 [14.0] 26.7 [7.8] 2.5	46.6 [13.6] 24.8 [7.3] 2.5	45.9 [13.5] 33.2 [9.7] 2.5	45.1 [13.2] 31.8 [9.3] 2.5	43.8 [12.8] 29.5 [8.6] 2.4	43.4 [12.7] 38.1 [11.2] 2.5	42.6 [12.5] 36.4 [10.7] 2.5	41.5 [12.1] 33.8 [9.9] 2.4
	85 [29.4]	Total BTUH [kW] Sens BTUH [kW] Power	47.4 [13.9] 27.2 [8.0] 2.7	46.6 [13.7] 26.0 [7.6] 2.6	45.3 [13.3] 24.2 [7.1] 2.6	44.6 [13.1] 32.6 [9.5] 2.6	43.8 [12.8] 31.1 [9.1] 2.6	42.6 [12.5] 28.9 [8.5] 2.6	42.1 [12.3] 37.5 [11.0] 2.6	41.3 [12.1] 35.8 [10.5] 2.6	40.2 [11.8] 33.2 [9.7] 2.6
	90 [32.2]	Total BTUH [kW] Sens BTUH [kW] Power	46.1 [13.5] 26.5 [7.8] 2.8	45.3 [13.3] 25.3 [7.4] 2.8	44.0 [12.9] 23.5 [6.9] 2.8	43.2 [12.7] 31.8 [9.3] 2.8	42.5 [12.4] 30.4 [8.9] 2.8	41.3 [12.1] 28.2 [8.3] 2.7	40.7 [11.9] 36.8 [10.8] 2.8	40.0 [11.7] 35.1 [10.3] 2.8	38.9 [11.4] 32.6 [9.6] 2.7
	95 [35]	Total BTUH [kW] Sens BTUH [kW] Power	44.7 [13.1] 25.8 [7.6] 3.0	43.9 [12.9] 24.6 [7.2] 3.0	42.7 [12.5] 22.9 [6.7] 2.9	41.8 [12.3] 31.1 [9.1] 3.0	41.1 [12.0] 29.7 [8.7] 3.0	39.9 [11.7] 27.6 [8.1] 2.9	39.3 [11.5] 36.0 [10.5] 3.0	38.6 [11.3] 34.4 [10.1] 2.9	37.5 [11.0] 31.9 [9.4] 2.9
	100 [37.8]	Total BTUH [kW] Sens BTUH [kW] Power	43.3 [12.7] 25.0 [7.3] 3.2	42.5 [12.4] 23.9 [7.0] 3.2	41.3 [12.1] 22.1 [6.5] 3.1	40.4 [11.8] 30.3 [8.9] 3.2	39.7 [11.6] 28.9 [8.5] 3.1	38.6 [11.3] 26.9 [7.9] 3.1	37.9 [11.1] 35.2 [10.3] 3.2	37.2 [10.9] 33.6 [9.9] 3.1	36.2 [10.6] 31.2 [9.1] 3.1
	105 [40.6]	Total BTUH [kW] Sens BTUH [kW] Power	41.8 [12.2] 24.1 [7.1] 3.4	41.0 [12.0] 23.1 [6.8] 3.4	39.9 [11.7] 21.4 [6.3] 3.3	38.9 [11.4] 29.4 [8.6] 3.4	38.2 [11.2] 28.1 [8.2] 3.3	37.2 [10.9] 26.1 [7.7] 3.3	36.4 [10.7] 34.4 [10.1] 3.4	35.8 [10.5] 32.8 [9.6] 3.3	34.8 [10.2] 30.5 [8.9] 3.3
	110 [43.3]	Total BTUH [kW] Sens BTUH [kW] Power	40.3 [11.8] 23.3 [6.8] 3.6	39.6 [11.6] 22.2 [6.5] 3.6	38.5 [11.3] 20.6 [6.0] 3.5	37.4 [11.0] 28.6 [8.4] 3.6	36.8 [10.8] 27.3 [8.0] 3.5	35.7 [10.5] 25.3 [7.4] 3.5	34.9 [10.2] 33.5 [9.8] 3.6	34.3 [10.1] 32.0 [9.4] 3.5	33.3 [9.8] 29.7 [8.7] 3.5
	115 [46.1]	Total BTUH [kW] Sens BTUH [kW] Power	38.7 [11.4] 22.3 [6.5] 3.8	38.0 [11.1] 21.4 [6.3] 3.8	37.0 [10.8] 19.8 [5.8] 3.7	35.9 [10.5] 27.7 [8.1] 3.8	35.3 [10.3] 26.4 [7.7] 3.8	34.3 [10.0] 24.5 [7.2] 3.7	33.4 [9.8] 32.6 [9.5] 3.8	32.8 [9.6] 31.1 [9.1] 3.7	31.9 [9.3] 28.9 [8.5] 3.7
	120 [48.9]	Total BTUH [kW] Sens BTUH [kW] Power	37.2 [10.9] 21.4 [6.3] 4.0	36.5 [10.7] 20.4 [6.0] 4.0	35.5 [10.4] 19.0 [5.6] 3.9	34.3 [10.1] 26.7 [7.8] 4.0	33.7 [9.9] 25.5 [7.5] 4.0	32.8 [9.6] 23.7 [6.9] 3.9	31.8 [9.3] 31.6 [9.3] 4.0	31.2 [9.2] 30.2 [8.9] 4.0	30.4 [8.9] 28.0 [8.2] 3.9
125 [51.7]	Total BTUH [kW] Sens BTUH [kW] Power	35.6 [10.4] 20.4 [6.0] 4.3	34.9 [10.2] 19.5 [5.7] 4.2	33.9 [9.9] 18.1 [5.3] 4.2	32.7 [9.6] 25.7 [7.5] 4.3	32.1 [9.4] 24.6 [7.2] 4.2	31.2 [9.2] 22.8 [6.7] 4.2	30.2 [8.8] 30.2 [8.8] 4.2	29.7 [8.7] 29.3 [8.6] 4.2	28.8 [8.4] 27.2 [8.0] 4.1	

DR —Depression ratio  
dbE —Entering air dry bulb  
wbE—Entering air wet bulb

Total —Total capacity x 1000 BTUH  
Sens —Sensible capacity x 1000 BTUH  
Power —kW input

NOTES: ① When the entering air dry bulb is other than 80°F [27°C], adjust the sensible capacity from the table by adding  $[1.10 \times \text{CFM} \times (1 - \text{DR}) \times (\text{dbE} - 80)]$ .

[ ] Designates Metric Conversions

## GROSS SYSTEMS PERFORMANCE DATA – RGEA15048A

ENTERING INDOOR AIR @ 80°F [26.7°C] dbE ①											
wbE		71°F [21.7°C]			67°F [19.4°C]			63°F [17.2°C]			
CFM [L/s]		1700 [802]	1550 [732]	1320 [623]	1700 [802]	1550 [732]	1320 [623]	1700 [802]	1550 [732]	1320 [623]	
DR ①		0.19	0.18	0.15	0.19	0.18	0.15	0.19	0.18	0.15	
OUTDOOR DRY BULB TEMPERATURE °F [°C]	75 [23.9]	Total BTUH [kW]	58.3 [17.1]	57.3 [16.8]	55.8 [16.3]	54.6 [16.0]	53.7 [15.7]	52.2 [15.3]	51.6 [15.1]	50.7 [14.9]	49.3 [14.5]
		Sens BTUH [kW]	33.2 [9.7]	31.8 [9.3]	29.6 [8.7]	39.2 [11.5]	37.5 [11.0]	34.9 [10.2]	44.7 [13.1]	42.8 [12.5]	39.8 [11.7]
		Power	2.7	2.6	2.6	2.7	2.6	2.6	2.6	2.6	2.6
	80 [26.7]	Total BTUH [kW]	56.8 [16.7]	55.8 [16.4]	54.3 [15.9]	53.1 [15.6]	52.2 [15.3]	50.8 [14.9]	50.1 [14.7]	49.2 [14.4]	47.9 [14.0]
		Sens BTUH [kW]	32.5 [9.5]	31.1 [9.1]	28.9 [8.5]	38.5 [11.3]	36.8 [10.8]	34.3 [10.0]	44.0 [12.9]	42.1 [12.3]	39.2 [11.5]
		Power	2.8	2.8	2.8	2.8	2.8	2.7	2.8	2.8	2.7
	85 [29.4]	Total BTUH [kW]	55.3 [16.2]	54.3 [15.9]	52.8 [15.5]	51.5 [15.1]	50.6 [14.8]	49.3 [14.4]	48.5 [14.2]	47.7 [14.0]	46.4 [13.6]
		Sens BTUH [kW]	31.7 [9.3]	30.3 [8.9]	28.2 [8.3]	37.7 [11.0]	36.0 [10.6]	33.6 [9.8]	43.2 [12.7]	41.3 [12.1]	38.4 [11.3]
		Power	3.0	2.9	2.9	2.9	2.9	2.9	2.9	2.9	2.9
	90 [32.2]	Total BTUH [kW]	53.6 [15.7]	52.7 [15.4]	51.3 [15.0]	49.9 [14.6]	49.0 [14.4]	47.7 [14.0]	46.9 [13.7]	46.1 [13.5]	44.8 [13.1]
		Sens BTUH [kW]	30.8 [9.0]	29.5 [8.6]	27.4 [8.0]	36.8 [10.8]	35.2 [10.3]	32.8 [9.6]	42.3 [12.4]	40.5 [11.9]	37.7 [11.0]
		Power	3.1	3.1	3.1	3.1	3.1	3.0	3.1	3.1	3.0
95 [35]	Total BTUH [kW]	51.9 [15.2]	51.0 [14.9]	49.6 [14.5]	48.2 [14.1]	47.3 [13.9]	46.1 [13.5]	45.2 [13.2]	44.4 [13.0]	43.2 [12.7]	
	Sens BTUH [kW]	29.9 [8.8]	28.6 [8.4]	26.6 [7.8]	35.9 [10.5]	34.3 [10.1]	32.0 [9.4]	41.4 [12.1]	39.6 [11.6]	36.8 [10.8]	
	Power	3.3	3.3	3.2	3.3	3.3	3.2	3.3	3.3	3.2	
100 [37.8]	Total BTUH [kW]	50.1 [14.7]	49.2 [14.4]	47.9 [14.0]	46.4 [13.6]	45.6 [13.4]	44.3 [13.0]	43.4 [12.7]	42.6 [12.5]	41.5 [12.2]	
	Sens BTUH [kW]	28.9 [8.5]	27.6 [8.1]	25.7 [7.5]	34.9 [10.2]	33.4 [9.8]	31.1 [9.1]	40.4 [11.8]	38.6 [11.3]	36.0 [10.5]	
	Power	3.5	3.5	3.4	3.5	3.5	3.4	3.5	3.4	3.4	
105 [40.6]	Total BTUH [kW]	48.2 [14.1]	47.4 [13.9]	46.1 [13.5]	44.5 [13.0]	43.7 [12.8]	42.6 [12.5]	41.5 [12.2]	40.8 [12.0]	39.7 [11.6]	
	Sens BTUH [kW]	27.8 [8.2]	26.6 [7.8]	24.8 [7.3]	33.8 [9.9]	32.4 [9.5]	30.1 [8.8]	39.3 [11.5]	37.6 [11.0]	35.0 [10.3]	
	Power	3.7	3.7	3.6	3.7	3.7	3.6	3.7	3.7	3.6	
110 [43.3]	Total BTUH [kW]	46.3 [13.6]	45.5 [13.3]	44.3 [13.0]	42.6 [12.5]	41.9 [12.3]	40.7 [11.9]	39.6 [11.6]	38.9 [11.4]	37.9 [11.1]	
	Sens BTUH [kW]	26.7 [7.8]	25.6 [7.5]	23.8 [7.0]	32.7 [9.6]	31.3 [9.2]	29.1 [8.5]	38.2 [11.2]	36.6 [10.7]	34.0 [10.0]	
	Power	3.9	3.9	3.9	3.9	3.9	3.8	3.9	3.9	3.8	
115 [46.1]	Total BTUH [kW]	44.3 [13.0]	43.5 [12.8]	42.4 [12.4]	40.6 [11.9]	39.9 [11.7]	38.8 [11.4]	37.6 [11.0]	36.9 [10.8]	35.9 [10.5]	
	Sens BTUH [kW]	25.5 [7.5]	24.4 [7.2]	22.7 [6.7]	31.6 [9.2]	30.2 [8.8]	28.1 [8.2]	37.1 [10.9]	35.5 [10.4]	33.0 [9.7]	
	Power	4.2	4.2	4.1	4.2	4.1	4.1	4.2	4.1	4.1	
120 [48.9]	Total BTUH [kW]	42.2 [12.4]	41.5 [12.2]	40.4 [11.8]	38.5 [11.3]	37.9 [11.1]	36.8 [10.8]	35.5 [10.4]	34.9 [10.2]	34.0 [10.0]	
	Sens BTUH [kW]	24.3 [7.1]	23.3 [6.8]	21.7 [6.3]	30.3 [8.9]	29.0 [8.5]	27.0 [7.9]	35.5 [10.4]	34.3 [10.0]	31.9 [9.3]	
	Power	4.4	4.4	4.3	4.4	4.4	4.3	4.4	4.4	4.3	
125 [51.7]	Total BTUH [kW]	40.1 [11.8]	39.4 [11.5]	38.3 [11.2]	36.4 [10.7]	35.7 [10.5]	34.8 [10.2]	33.4 [9.8]	32.8 [9.6]	31.9 [9.4]	
	Sens BTUH [kW]	23.0 [6.7]	22.0 [6.5]	20.5 [6.0]	29.0 [8.5]	27.8 [8.1]	25.9 [7.6]	33.4 [9.8]	32.8 [9.6]	30.8 [9.0]	
	Power	4.7	4.7	4.6	4.7	4.6	4.6	4.7	4.6	4.6	

DR —Depression ratio  
dbE —Entering air dry bulb  
wbE—Entering air wet bulb

Total —Total capacity x 1000 BTUH  
Sens —Sensible capacity x 1000 BTUH  
Power —KW input

NOTES: ① When the entering air dry bulb is other than 80°F [27°C], adjust the sensible capacity from the table by adding [1.10 x CFM x (1 – DR) x (dbE – 80)].

[ ] Designates Metric Conversions

## GROSS SYSTEMS PERFORMANCE DATA— RGEA15060A

ENTERING INDOOR AIR @ 80°F [26.7°C] dbE ①											
wbE		71°F [21.7°C]			67°F [19.4°C]			63°F [17.2°C]			
CFM [L/s]		2040 [963]	1850 [873]	1570 [741]	2040 [963]	1850 [873]	1570 [741]	2040 [963]	1850 [873]	1570 [741]	
DR ①		0.15	0.14	0.11	0.15	0.14	0.11	0.15	0.14	0.11	
OUTDOOR DRY BULB TEMPERATURE °F [°C]	75 [23.9]	Total BTUH [kW] Sens BTUH [kW] Power	73.0 [21.4] 42.4 [12.4] 3.6	71.7 [21.0] 40.5 [11.9] 3.6	69.7 [20.4] 37.6 [11.0] 3.5	69.2 [20.3] 50.0 [14.6] 3.6	67.9 [19.9] 47.7 [14.0] 3.5	66.0 [19.3] 44.3 [13.0] 3.5	65.8 [19.3] 56.9 [16.7] 3.5	64.6 [18.9] 54.3 [15.9] 3.5	62.8 [18.4] 50.5 [14.8] 3.4
	80 [26.7]	Total BTUH [kW] Sens BTUH [kW] Power	70.9 [20.8] 41.3 [12.1] 3.8	69.6 [20.4] 39.4 [11.6] 3.7	67.7 [19.8] 36.6 [10.7] 3.7	67.1 [19.6] 48.8 [14.3] 3.7	65.8 [19.3] 46.6 [13.7] 3.7	64.0 [18.8] 43.3 [12.7] 3.6	63.7 [18.7] 55.8 [16.4] 3.7	62.5 [18.3] 53.2 [15.6] 3.7	60.8 [17.8] 49.5 [14.5] 3.6
	85 [29.4]	Total BTUH [kW] Sens BTUH [kW] Power	68.8 [20.2] 40.1 [11.8] 4.0	67.6 [19.8] 38.3 [11.2] 3.9	65.7 [19.3] 35.6 [10.4] 3.9	64.9 [19.0] 47.7 [14.0] 3.9	63.7 [18.7] 45.5 [13.3] 3.9	62.0 [18.2] 42.3 [12.4] 3.8	61.5 [18.0] 54.6 [16.0] 3.9	60.4 [17.7] 52.1 [15.3] 3.8	58.8 [17.2] 48.5 [14.2] 3.8
	90 [32.2]	Total BTUH [kW] Sens BTUH [kW] Power	66.7 [19.5] 38.9 [11.4] 4.2	65.4 [19.2] 37.2 [10.9] 4.1	63.6 [18.6] 34.5 [10.1] 4.1	62.8 [18.4] 46.5 [13.6] 4.1	61.6 [18.1] 44.3 [13.0] 4.1	59.9 [17.6] 41.2 [12.1] 4.0	59.4 [17.4] 53.4 [15.7] 4.1	58.3 [17.1] 51.0 [14.9] 4.0	56.7 [16.6] 47.4 [13.9] 4.0
	95 [35]	Total BTUH [kW] Sens BTUH [kW] Power	64.5 [18.9] 37.7 [11.0] 4.4	63.3 [18.5] 36.0 [10.5] 4.3	61.5 [18.0] 33.4 [9.8] 4.3	60.6 [17.7] 45.2 [13.3] 4.3	59.5 [17.4] 43.2 [12.6] 4.3	57.8 [16.9] 40.1 [11.8] 4.2	57.2 [16.8] 52.2 [15.3] 4.3	56.1 [16.5] 49.8 [14.6] 4.3	54.6 [16.0] 46.3 [13.6] 4.2
	100 [37.8]	Total BTUH [kW] Sens BTUH [kW] Power	62.2 [18.2] 36.4 [10.7] 4.6	61.1 [17.9] 34.7 [10.2] 4.6	59.4 [17.4] 32.3 [9.5] 4.5	58.3 [17.1] 43.9 [12.9] 4.6	57.3 [16.8] 41.9 [12.3] 4.5	55.7 [16.3] 39.0 [11.4] 4.5	55.0 [16.1] 50.9 [14.9] 4.5	54.0 [15.8] 48.6 [14.2] 4.5	52.5 [15.4] 45.1 [13.2] 4.4
	105 [40.6]	Total BTUH [kW] Sens BTUH [kW] Power	60.0 [17.6] 35.1 [10.3] 4.9	58.9 [17.3] 33.5 [9.8] 4.8	57.3 [16.8] 31.1 [9.1] 4.8	56.1 [16.4] 42.6 [12.5] 4.8	55.1 [16.1] 40.7 [11.9] 4.8	53.5 [15.7] 37.8 [11.1] 4.7	52.7 [15.4] 49.6 [14.5] 4.8	51.8 [15.2] 47.3 [13.9] 4.8	50.3 [14.7] 44.0 [12.9] 4.7
	110 [43.3]	Total BTUH [kW] Sens BTUH [kW] Power	57.7 [16.9] 33.7 [9.9] 5.2	56.6 [16.6] 32.2 [9.4] 5.1	55.1 [16.1] 29.9 [8.8] 5.0	53.8 [15.8] 41.2 [12.1] 5.1	52.8 [15.5] 39.3 [11.5] 5.1	51.4 [15.1] 36.6 [10.7] 5.0	50.4 [14.8] 48.2 [14.1] 5.1	49.5 [14.5] 46.0 [13.5] 5.0	48.1 [14.1] 42.7 [12.5] 5.0
	115 [46.1]	Total BTUH [kW] Sens BTUH [kW] Power	55.4 [16.2] 32.3 [9.5] 5.4	54.4 [15.9] 30.8 [9.0] 5.4	52.9 [15.5] 28.6 [8.4] 5.3	51.5 [15.1] 39.8 [11.7] 5.4	50.5 [14.8] 38.0 [11.1] 5.4	49.2 [14.4] 35.3 [10.3] 5.3	48.1 [14.1] 46.8 [13.7] 5.4	47.2 [13.8] 44.6 [13.1] 5.3	45.9 [13.5] 41.5 [12.2] 5.2
	120 [48.9]	Total BTUH [kW] Sens BTUH [kW] Power	53.0 [15.5] 30.8 [9.0] 5.8	52.1 [15.3] 29.4 [8.6] 5.7	50.6 [14.8] 27.3 [8.0] 5.6	49.1 [14.4] 38.4 [11.2] 5.7	48.2 [14.1] 36.6 [10.7] 5.7	46.9 [13.7] 34.0 [10.0] 5.6	45.8 [13.4] 45.3 [13.3] 5.7	44.9 [13.2] 43.2 [12.7] 5.6	43.7 [12.8] 40.2 [11.8] 5.5
125 [51.7]	Total BTUH [kW] Sens BTUH [kW] Power	50.7 [14.8] 29.3 [8.6] 6.1	49.7 [14.6] 28.0 [8.2] 6.0	48.4 [14.2] 26.0 [7.6] 6.0	46.8 [13.7] 36.9 [10.8] 6.0	45.9 [13.5] 35.2 [10.3] 6.0	44.6 [13.1] 32.7 [9.6] 5.9	43.4 [12.7] 43.4 [12.7] 6.0	42.6 [12.5] 41.8 [12.3] 6.0	41.4 [12.1] 38.9 [11.4] 5.9	

DR —Depression ratio  
dbE —Entering air dry bulb  
wbE—Entering air wet bulb

Total —Total capacity x 1000 BTUH  
Sens —Sensible capacity x 1000 BTUH  
Power —KW input

NOTES: ① When the entering air dry bulb is other than 80°F [27°C], adjust the sensible capacity from the table by adding  $[1.10 \times \text{CFM} \times (1 - \text{DR}) \times (\text{dbE} - 80)]$ .

[ ] Designates Metric Conversions

# INDOOR AIRFLOW PERFORMANCE RGEA14 - 208 VOLTS

Nominal Cooling Capacity Tons [kW]	Motor Speed from Factory	Heating Input BTU/HR [kW]	Manufacturer Recommended Cooling Airflow (Min/Max)	Blower Size / Motor HP [W] & # of Speeds	Motor Speed / Tap	External Static Pressure - Inches W.C. [kPa]												
						0.1 [1.02]	0.2 [1.05]	0.3 [1.07]	0.4 [1.10]	0.5 [1.12]	0.6 [1.15]	0.7 [1.17]	0.8 [1.20]	0.9 [1.22]	1.0 [1.25]			
2.0 [7.03]	Cool	Tap 2	60,000 [17.58]	10 x 9 Blower 1/3 HP [249] 5 Speed (Constant Torque)	Tap 1	CFM	805 [380]	749 [353]	702 [331]	634 [299]	580 [274]	542 [265]	480 [227]	438 [207]				
					FAN	RPM	674	721	783	832	886	916	962	1004				
					Watts	97	104	113	117	126	128	131	142					
	Tap 5	Tap 2	60K	700 CFM / 950 CFM	10 x 9 Blower 1/3 HP [249] 5 Speed (Constant Torque)	Tap 2	CFM	917 [433]	865 [408]	826 [390]	771 [364]	730 [345]	688 [320]	628 [296]	596 [281]			
						60K	RPM	772	810	860	905	945	985	1013	1052			
						Watts	142	149	159	164	175	177	180	189				
	Tap 3	Tap 3	80K	700 CFM / 950 CFM	10 x 9 Blower 1/3 HP [249] 5 Speed (Constant Torque)	Tap 3	CFM	1196 [564]	1154 [545]	1111 [524]	1078 [509]	1039 [490]	967 [456]	876 [413]	791 [373]			
						80K	RPM	927	970	1009	1041	1079	1107	1124	1134			
						Watts	288	300	309	314	324	318	300	276				
	2.5 [8.79]	Cool	Tap 3	80,000 [23.45]	10 x 9 Blower 1/2 HP [372] 5 Speed (Constant Torque)	Tap 4	CFM	931 [439]	880 [415]	854 [403]	795 [375]	743 [351]	694 [328]	655 [309]	608 [287]			
Low						RPM	789	1425	874	921	965	1002	1041	1070				
Static Cool						Watts	155	159	170	176	185	188	196	200				
Tap 2		Tap 5	High	850 CFM / 1150 CFM	10 x 9 Blower 1/2 HP [372] 5 Speed (Constant Torque)	Tap 5	CFM	1005 [474]	956 [451]	916 [432]	878 [414]	808 [381]	778 [367]	734 [346]	698 [329]			
						High	RPM	822	872	907	954	998	1036	1070	1103			
						Static Cool	Watts	178	192	198	208	212	224	224	234			
Tap 5		Tap 2	60K	850 CFM / 1150 CFM	10 x 9 Blower 1/2 HP [372] 5 Speed (Constant Torque)	Tap 1	CFM	917 [433]	865 [408]	826 [390]	771 [364]	730 [345]	677 [320]	628 [296]	596 [281]			
						FAN	RPM	772	810	860	905	945	985	1013	1052			
						Watts	142	149	159	164	175	177	180	189				
Tap 3		Tap 5	80K	850 CFM / 1150 CFM	10 x 9 Blower 1/2 HP [372] 5 Speed (Constant Torque)	Tap 2	CFM	917 [433]	865 [408]	826 [390]	771 [364]	730 [345]	677 [320]	628 [269]	596 [281]			
	60K					RPM	772	810	860	905	945	985	1013	1052				
	Watts					142	149	159	164	175	177	180	189					
Tap 3	Tap 5	80K	850 CFM / 1150 CFM	10 x 9 Blower 1/2 HP [372] 5 Speed (Constant Torque)	Tap 3	CFM	1227 [579]	1180 [557]	1160 [547]	1123 [530]	1090 [514]	1054 [497]	1008 [476]	882 [416]				
					80K	RPM	930	976	1006	1029	1065	1089	1124	1154				
					Watts	264	276	288	291	300	305	311	292					
Tap 3	Tap 5	80K	850 CFM / 1150 CFM	10 x 9 Blower 1/2 HP [372] 5 Speed (Constant Torque)	Tap 4	CFM	1013 [478]	980 [463]	939 [443]	893 [421]	864 [408]	792 [374]	752 [355]	687 [324]				
					Low	RPM	820	854	901	934	976	1022	1064	1097				
					Static Cool	Watts	171	177	187	190	202	207	217	222				
Tap 3	Tap 5	80K	850 CFM / 1150 CFM	10 x 9 Blower 1/2 HP [372] 5 Speed (Constant Torque)	Tap 5	CFM	1227 [579]	1180 [557]	1160 [547]	1123 [530]	1090 [514]	1054 [497]	1008 [476]	882 [416]				
					High	RPM	930	976	1006	1029	1065	1089	1124	1154				
					Static Cool	Watts	264	276	288	291	300	305	311	292				

Notes: (1) Set 2 through 4 ton Cool to Tap 4 for AHRI rated performance. (2) Set 5 ton 2nd Stage Cool to Tap 4 for AHRI rated performance.

## [ ] Designates Metric Conversions

# INDOOR AIRFLOW PERFORMANCE RGEA14 - 208 VOLTS (continued)

Nominal Cooling Capacity Tons [kW]	Motor Speed from Factory		Heating Input BTU/HR [kW]	Manufacturer Recommended Cooling Airflow (Min/Max)	Blower Size / Motor HP [W] & # of Speeds	Motor Speed / Tap	External Static Pressure - Inches W.C. [kPa] (Side Discharge-Dry Coil)											
	Cool	Heat					0.1 [.02]	0.2 [.05]	0.3 [.07]	0.4 [.10]	0.5 [.12]	0.6 [.15]	0.7 [.17]	0.8 [.20]	0.9 [.22]	1.0 [.25]		
3.0 [10.55]	Tap 1	Heat	60,000 [17.58]			Tap 1 FAN	CFM	907 [428]	850 [401]	801 [378]	723 [341]	648 [306]	576 [272]	520 [245]	432 [204]			
		RPM					632	690	730	778	829	856	894	922				
		Watts					120	130	142	145	159	161	169	173				
	Tap 2	Heat	80,000 [23.45]			Tap 2 80K	CFM	1342 [643]	1322 [624]	1281 [605]	1247 [589]	1213 [572]	1158 [547]	1097 [518]	1058 [499]	996 [470]	856 [404]	
		RPM					833	866	895	926	962	999	1034	1062	1098	1128		
		Watts					320	332	336	346	362	374	380	386	403	385		
	Tap 3	Heat	100,000 [29.31]		1000 CFM / 1400 CFM	10 x 9 Blower 1 HP [746] 5 Speed (Constant Torque)	Tap 3 100K	CFM	1434 [677]	1419 [670]	1387 [655]	1340 [632]	1310 [618]	1258 [594]	1198 [565]	1160 [547]	1085 [512]	930 [439]
		RPM						866	882	920	944	981	1008	1051	1078	1106	1131	
		Watts						372	377	390	399	413	421	426	443	445	412	
	Tap 4	Heat					Tap 4 Low Static Cool	CFM	1169 [552]	1115 [526]	1086 [513]	1047 [494]	983 [464]	931 [439]	855 [404]	784 [370]		
		RPM						749	803	819	856	901	938	985	1029			
		Watts						217	231	233	246	259	266	277	289			
Tap 5	Heat					Tap 5 High Static Cool	CFM	1434 [677]	1419 [670]	1387 [655]	1340 [632]	1310 [618]	1258 [594]	1198 [565]	1160 [547]	1085 [512]	930 [439]	
	RPM						866	885	920	944	981	1008	1051	1078	1106	1131		
	Watts						372	377	390	399	413	421	426	443	445	412		

Notes: (1) Set 2 through 4 ton Cool to Tap 4 for AHRI rated performance. (2) Set 5 ton 2nd Stage Cool to Tap 4 for AHRI rated performance.

DOWN DISCHARGE PRESSURE DROP (ADD TO EXTERNAL STATIC PRESSURE)			
CFM [L/s]	800 [378]	1000 [472]	1200 [566]
Pressure Drop—Includes W.C. [kPa]	.02 [.005]	.05 [.012]	.07 [.017]
		.12 [.030]	.15 [.037]
			.17 [.042]

[ ] Designates Metric Conversions

# INDOOR AIRFLOW PERFORMANCE RGEA14 - 230 VOLTS

Nominal Cooling Capacity Tons [kW]	Motor Speed from Factory	Heating Input BTU/HR [kW]	Manufacturer Recommended Cooling Airflow (Min/Max)	Blower Size / Motor HP [W] & # of Speeds	Motor Speed / Tap	External Static Pressure - Inches W.C. [kPa] (Side Discharge-Dry Coil)											
						0.1 [1.02]	0.2 [1.05]	0.3 [1.07]	0.4 [1.10]	0.5 [1.12]	0.6 [1.15]	0.7 [1.17]	0.8 [1.20]	0.9 [1.22]	1.0 [1.25]		
3.5 [12.31]	Tap 2	80,000 [23.45]	1200 CFM / 1600 CFM	12 x 9 Blower 3/4 HP [559] 5 Speed (Constant Torque)	Tap 1 FAN	CFM	1336 [631]	1312 [619]	1295 [611]	1241 [586]	1200 [566]	1161 [548]	1119 [528]	1072 [506]	1001 [472]	939 [443]	
					RPM	827	856	874	913	949	983	1013	1048	1092	1127		
					Watts	298	308	313	325	341	352	361	374	387	402		
	Tap 5	100,000 [29.31]	1350 CFM / 1850 CFM	12 x 9 Blower 3/4 HP [559] 5 Speed (Constant Torque)	Tap 2 80K	CFM	1336 [631]	1312 [619]	1295 [611]	1241 [586]	1200 [566]	1161 [548]	1119 [528]	1072 [506]	1001 [472]	939 [443]	
					RPM	827	856	874	913	949	983	1013	1048	1092	1127		
					Watts	298	308	313	325	341	352	361	374	387	402		
	Tap 3	100,000 [29.31]	1350 CFM / 1850 CFM	12 x 9 Blower 3/4 HP [559] 5 Speed (Constant Torque)	Tap 3 100K	CFM	1453 [686]	1424 [672]	1395 [658]	1347 [636]	1321 [623]	1279 [604]	1250 [590]	1214 [573]	1157 [546]	1119 [528]	
					RPM	836	867	904	942	953	992	1019	1048	1091	1114		
					Watts	334	349	364	377	380	394	409	418	433	442		
	4.0 [14.07]	Tap 2	80,000 [23.45]	1200 CFM / 1600 CFM	12 x 9 Blower 3/4 HP [559] 5 Speed (Constant Torque)	Tap 4 Low Static Cool	CFM	1336 [631]	1312 [619]	1295 [611]	1241 [586]	1200 [566]	1161 [548]	1119 [528]	1072 [506]	1001 [472]	939 [443]
						RPM	827	856	874	913	949	983	1013	1048	1092	1127	
						Watts	298	308	313	325	341	352	361	374	387	402	
Tap 5		100,000 [29.31]	1350 CFM / 1850 CFM	12 x 9 Blower 3/4 HP [559] 5 Speed (Constant Torque)	Tap 5 High Static Cool	CFM	1591 [751]	1563 [738]	1558 [735]	1519 [717]	1490 [703]	1458 [688]	1410 [665]	1363 [643]	1277 [603]	1122 [530]	
					RPM	949	981	999	1027	1051	1086	1109	1129	1140	1158		
					Watts	476	490	501	515	527	542	546	543	522	478		
Tap 3		100,000 [29.31]	1350 CFM / 1850 CFM	12 x 9 Blower 3/4 HP [559] 5 Speed (Constant Torque)	Tap 1 FAN	CFM	1340 [632]	1305 [616]	1263 [596]	1227 [579]	1186 [560]	1162 [548]	1104 [521]	1020 [481]	960 [453]	897 [423]	
					RPM	776	796	831	869	898	925	966	1011	1044	1076		
					Watts	261	268	279	291	303	310	323	339	351	361		
Tap 5		100,000 [29.31]	1350 CFM / 1850 CFM	12 x 9 Blower 3/4 HP [559] 5 Speed (Constant Torque)	Tap 2 80K	CFM	1340 [632]	1305 [616]	1263 [596]	1227 [579]	1186 [560]	1162 [548]	1104 [521]	1020 [481]	960 [453]	897 [423]	
					RPM	776	796	831	869	898	925	966	1011	1044	1076		
					Watts	261	268	279	291	303	310	323	339	351	361		
Tap 5	100,000 [29.31]	1350 CFM / 1850 CFM	12 x 9 Blower 3/4 HP [559] 5 Speed (Constant Torque)	Tap 3 100K	CFM	1467 [692]	1448 [683]	1004 [663]	1373 [648]	1339 [632]	1306 [616]	1250 [590]	1210 [571]	1164 [549]	1087 [513]		
				RPM	826	855	884	910	939	969	1003	1030	1067	1108			
				Watts	328	344	348	363	379	387	398	408	418	434			
Tap 5	100,000 [29.31]	1350 CFM / 1850 CFM	12 x 9 Blower 3/4 HP [559] 5 Speed (Constant Torque)	Tap 4 Low Static Cool	CFM	1634 [771]	1595 [753]	1547 [730]	1530 [722]	1487 [702]	1462 [690]	1438 [679]	1378 [650]	1652 [638]	1298 [613]		
				RPM	894	923	950	981	1000	1030	1051	1079	1106	1126			
				Watts	432	446	451	468	479	490	508	510	520	520			
Tap 5	100,000 [29.31]	1350 CFM / 1850 CFM	12 x 9 Blower 3/4 HP [559] 5 Speed (Constant Torque)	Tap 5 High Static Cool	CFM	1941 [916]	1915 [904]	1878 [886]	1814 [856]	1775 [837]	1709 [807]	1655 [781]	1570 [741]	1488 [702]	1374 [648]		
				RPM	1028	1047	1068	1091	1104	1113	1124	1136	1142	1147			
				Watts	708	725	729	727	717	696	673	647	618	571			

Notes: (1) Set 2 through 4 ton Cool to Tap 4 for AHRI rated performance. (2) Set 5 ton 2nd Stage Cool to Tap 4 for AHRI rated performance.

[ ] Designates Metric Conversions

# INDOOR AIRFLOW PERFORMANCE RGEA14 - 230 VOLTS (continued)

Nominal Cooling Capacity Tons [kW]	Motor Speed from Factory		Heating Input BTU/HR [kW]	Manufacturer Recommended Cooling Airflow (Min/Max)	Blower Size / Motor HP [W] & # of Speeds	Motor Speed / Tap	External Static Pressure - Inches W.C. [kPa]											
	Cool	Heat					0.1 [02]	0.2 [05]	0.3 [07]	0.4 [10]	0.5 [12]	0.6 [15]	0.7 [17]	0.8 [20]	0.9 [22]	1.0 [25]		
5.0 [17.59]	1st Stage Tap 2	Heat			12 x 9 Blower 1 HP [746] 5 Speed (Constant Torque)	Tap 1	CFM	1433 [676]	1407 [664]	1354 [639]	1329 [627]	888	929	1235 [583]	1195 [564]	1137 [537]	1083 [511]	1030 [486]
						100K	RPM	821	843	868	342	365	944	975	1004	1040	1065	
						Heat / FAN	Watts	319	331	342	346	365	368	381	391	406	412	
	2nd Stage Tap 5	Heat			12 x 9 Blower 1 HP [746] 5 Speed (Constant Torque)	1600 CFM / 2100 CFM	Tap 2	CFM	1233 [582]	1158 [547]	1136 [536]	1090 [514]	1039 [490]	969 [457]	902 [426]	847 [400]	791 [373]	752 [355]
							1st Stage Cool	RPM	734	774	793	822	860	892	934	957	983	1011
							Cool	Watts	223	231	238	248	259	269	288	284	295	306
	5.0 [17.59]	2nd Stage Tap 5	Heat		1600 CFM / 2100 CFM	12 x 9 Blower 1 HP [746] 5 Speed (Constant Torque)	Tap 3	CFM	1768 [834]	1730 [816]	1693 [799]	1626 [767]	1599 [755]	1558 [735]	1522 [718]	1503 [709]	1444 [681]	1399 [660]
							Unused	RPM	938	959	983	1011	1025	1052	1089	1090	1117	1134
							Static Cool	Watts	520	533	541	560	563	578	599	599	605	615
	5.0 [17.59]	2nd Stage Tap 5	Heat		1600 CFM / 2100 CFM	12 x 9 Blower 1 HP [746] 5 Speed (Constant Torque)	Tap 4 2nd Stage Low	CFM	1926 [909]	1890 [892]	1864 [880]	1822 [860]	1794 [847]	1758 [830]	1710 [807]	1670 [788]	1579 [745]	1493 [705]
Static Cool							RPM	999	1014	1040	1061	1079	1096	1119	1128	1138	1144	
Static Cool							Watts	654	660	674	688	699	708	714	705	638	661	
5.0 [17.59]	2nd Stage Tap 5	Heat		1600 CFM / 2100 CFM	12 x 9 Blower 1 HP [746] 5 Speed (Constant Torque)	Tap 5 2nd Stage High	CFM	2096 [989]	2057 [971]	2003 [945]	1951 [921]	1890 [892]	1819 [858]	1756 [829]	1686 [796]	1610 [760]	1498 [707]	
						Static Cool	RPM	1069	1092	1106	1116	1121	1129	1138	1140	1148	1154	
						Static Cool	Watts	829	846	840	822	807	782	768	730	708	679	

Notes: (1) Set 2 through 4 ton Cool to Tap 4 for AHRI rated performance. (2) Set 5 ton 2nd Stage Cool to Tap 4 for AHRI rated performance.

DOWN DISCHARGE PRESSURE DROP (ADD TO EXTERNAL STATIC PRESSURE)			
CFM [L/s]	800 [378]	1000 [472]	1200 [566]
Pressure Drop—Includes W.C. [kPa]	.02 [.005]	.05 [.012]	.07 [.017]
		.1 [.025]	.12 [.030]
		.15 [.037]	.17 [.042]
			.20 [.049]

[ ] Designates Metric Conversions



# INDOOR AIRFLOW PERFORMANCE RGEA14 - 460 VOLTS

Nominal Cooling Capacity Tons [kW]	Motor Speed from Factory	Heating Input BTU/HR [kW]	Manufacturer Recommended Cooling Airflow (Min/Max)	Blower Size / Motor HP [W] & # of Speeds	Motor Speed / Tap	External Static Pressure - Inches W.C. [kPa]										
						0.1 [1.02]	0.2 [1.05]	0.3 [1.07]	0.4 [1.10]	0.5 [1.12]	0.6 [1.15]	0.7 [1.17]	0.8 [1.20]	0.9 [1.22]	1.0 [1.25]	
3.0 [10.55]	High	60,000 [17.58] 80,000 [23.45] 100,000 [29.31]	1000 CFM / 1400 CFM	12 x 9T Blower 1/2 HP [372] 5 Speed (Constant Torque)	Low	CFM	1358 [641]	1322 [624]	1266 [597]	1209 [571]	1120 [529]	1063 [502]	970 [458]	861 [406]	828 [391]	757 [357]
						RPM	823	849	901	932	953	979	999	1029	1055	
						Watts	505	491	481	464	447	439	422	404	393	378
	Low	100,000 [29.31]	1200 CFM / 1600 CFM	12 x 9T Blower 3/4 HP [559] 5 Speed (Constant Torque)	Tap 1 Unused	CFM	1652 [780]	1596 [753]	1540 [727]	1481 [699]	1402 [662]	1320 [623]	1212 [572]	1132 [534]	1079 [509]	1004 [474]
						RPM	951	965	977	992	1007	1019	1036	1050	1063	1077
						Watts	670	658	642	625	600	580	561	539	523	504
3.5 [12.31]	Tap 2	80,000 [23.45]	1200 CFM / 1600 CFM	Tap 2 80K	CFM	1362 [643]	1327 [626]	1294 [611]	1267 [598]	1207 [570]	1151 [543]	1131 [534]	1085 [512]	1022 [482]	956 [451]	
					RPM	794	833	872	897	948	976	1005	1038	1078	1112	
					Watts	287	295	317	317	331	351	361	365	370	399	
	Tap 3	100,000 [29.31]	1200 CFM / 1600 CFM	Tap 3 100K	CFM	1435 [677]	1405 [663]	1378 [650]	1349 [637]	1309 [618]	1266 [597]	1233 [582]	1193 [563]	1134 [535]	1066 [503]	
					RPM	844	867	892	927	961	991	1022	1052	1101	1130	
					Watts	337	340	358	368	390	389	409	411	438	446	
4.0 [14.07]	Tap 2	80,000 [23.45]	1350 CFM / 1850 CFM	Tap 4 Low Static Cool	CFM	1362 [643]	1327 [626]	1294 [611]	1267 [598]	1207 [570]	1151 [543]	1131 [534]	1085 [512]	1022 [482]	956 [451]	
					RPM	794	833	872	897	948	976	1005	1038	1078	1112	
					Watts	287	295	317	317	331	351	361	365	370	399	
	Tap 3	100,000 [29.31]	1350 CFM / 1850 CFM	Tap 5 High Static Cool	CFM	1643 [775]	1609 [759]	1580 [746]	1560 [736]	1511 [713]	1494 [705]	1443 [681]	1404 [663]	1335 [630]	1244 [587]	
					RPM	927	954	986	1001	1035	1052	1083	1111	1122	1133	
					Watts	461	475	490	506	518	528	535	548	530	502	
4.0 [14.07]	Tap 2	80,000 [23.45]	1350 CFM / 1850 CFM	Tap 1 Unused	CFM	1340 [632]	1305 [616]	1263 [596]	1227 [579]	1186 [560]	1162 [548]	1104 [521]	1020 [481]	960 [453]	897 [423]	
					RPM	776	796	831	869	898	925	966	1011	1044	1076	
					Watts	261	268	279	291	303	310	323	339	351	361	
	Tap 3	100,000 [29.31]	1350 CFM / 1850 CFM	Tap 2 80K	CFM	1340 [632]	1305 [616]	1263 [596]	1227 [579]	1186 [560]	1162 [548]	1104 [521]	1020 [481]	960 [453]	897 [423]	
					RPM	776	796	831	869	898	925	966	1011	1044	1076	
					Watts	261	268	279	291	303	310	323	339	351	361	
4.0 [14.07]	Tap 5	100,000 [29.31]	1350 CFM / 1850 CFM	Tap 3 100K	CFM	1467 [692]	1448 [683]	1404 [663]	1373 [648]	1339 [632]	1306 [616]	1250 [590]	1210 [571]	1164 [549]	1087 [513]	
					RPM	826	855	884	910	939	969	1003	1030	1067	1108	
					Watts	328	344	348	363	379	387	398	408	418	434	
	Tap 5	100,000 [29.31]	1350 CFM / 1850 CFM	Tap 4 Low Static Cool	CFM	1634 [771]	1595 [753]	1547 [730]	1530 [722]	1487 [702]	1462 [690]	1438 [679]	1378 [650]	1352 [638]	1298 [613]	
					RPM	894	923	950	981	1000	1030	1051	1079	1106	1126	
					Watts	432	446	451	468	479	490	508	510	520	520	
Tap 5	100,000 [29.31]	1350 CFM / 1850 CFM	Tap 5 High Static Cool	CFM	1941 [916]	1915 [904]	1878 [886]	1814 [856]	1779 [837]	1709 [807]	1655 [781]	1570 [741]	1488 [702]	1374 [648]		
				RPM	1028	1047	1068	1091	1104	1113	1124	1136	1142	1147		
				Watts	708	725	729	727	717	696	673	647	618	571		

Note: Set 3-1/2 through 5 ton Cool to Tap 4 for AHRI rated performance

[ ] Designates Metric Conversions

# INDOOR AIRFLOW PERFORMANCE RGEA14 - 460 VOLTS (continued)

Nominal Cooling Capacity Tons [kW]	Motor Speed from Factory		Heating Input BTU/HR [kW]	Manufacturer Recommended Cooling Airflow (Min/Max)	Blower Size / Motor HP [W] & # of Speeds	Motor Speed / Tap	External Static Pressure - Inches W.C. [kPa]										
	Cool	Heat					0.1 [02]	0.2 [05]	0.3 [07]	0.4 [10]	0.5 [12]	0.6 [15]	0.7 [17]	0.8 [20]	0.9 [22]	1.0 [25]	
5.0 [17.59]	1st Stage Tap 2	Heat	100,000 [29.31]	1600 CFM / 2100 CFM	12 x 9R Blower 1 HP [746] 5 Speed (Constant Torque)	Tap 1	CFM	1484 [700]	1440 [680]	1405 [663]	1360 [642]	1319 [622]	1280 [604]	1238 [584]	1186 [560]	1128 [532]	1047 [494]
						RPM	812	841	863	889	918	938	965	994	1026	1066	
						Watts	330	338	355	354	379	381	395	408	423	419	
	2nd Stage Tap 5	Heat	100,000 [29.31]	1600 CFM / 2100 CFM	12 x 9R Blower 1 HP [746] 5 Speed (Constant Torque)	Tap 2	CFM	1389 [608]	1329 [585]	1189 [561]	1140 [538]	1101 [520]	1052 [496]	969 [457]	918 [433]	860 [406]	812 [383]
						RPM	726	755	786	815	846	876	912	935	964	986	
						Watts	233	248	249	259	275	292	309	308	321	330	
	2nd Stage Tap 5	Heat	100,000 [29.31]	1600 CFM / 2100 CFM	12 x 9R Blower 1 HP [746] 5 Speed (Constant Torque)	Tap 3	CFM	1787 [843]	1746 [824]	1705 [805]	1680 [793]	1621 [765]	1607 [758]	1564 [738]	1530 [722]	1505 [710]	1424 [672]
						RPM	950	970	1000	1012	1042	1055	1079	1108	1113	1130	
						Watts	525	538	545	579	571	596	615	610	631	626	
	2nd Stage Tap 5	Heat	100,000 [29.31]	1600 CFM / 2100 CFM	12 x 9R Blower 1 HP [746] 5 Speed (Constant Torque)	Tap 4	CFM	1954 [922]	1927 [909]	1889 [892]	1843 [870]	1808 [853]	1738 [820]	1671 [789]	1620 [765]	1543 [728]	1433 [676]
RPM						1030	1042	1061	1082	1100	1121	1130	1133	1138	1146		
Watts						664	673	683	696	704	700	697	684	667	635		
2nd Stage Tap 5	Heat	100,000 [29.31]	1600 CFM / 2100 CFM	12 x 9R Blower 1 HP [746] 5 Speed (Constant Torque)	Tap 5	CFM	2095 [989]	2045 [965]	1983 [936]	1905 [866]	1840 [868]	1792 [846]	1712 [808]	1641 [774]	1558 [735]	1397 [659]	
					RPM	1103	1114	1114	1123	1125	1130	1139	1140	1144	1148		
					Watts	829	841	832	803	785	770	749	710	685	633		

Note: Set 3-1/2 through 5 ton Cool to Tap 4 for AHRI rated performance

DOWN DISCHARGE PRESSURE DROP (ADD TO EXTERNAL STATIC PRESSURE)	
CFM [L/s]	800 [378] 1000 [472] 1200 [566] 1400 [661] 1600 [755] 1800 [849] 2000 [944]
Pressure Drop—Includes W.C. [kPa]	.02 [.005] .05 [.012] .07 [.017] .1 [.025] .12 [.030] .15 [.037] .17 [.042]

[ J ] Designates Metric Conversions

# INDOOR AIRFLOW PERFORMANCE RGEA15 - 208/230 VOLTS

Nominal Cooling Capacity Tons [kW]	Motor Speed from Factory	Heating Input BTU/HR [kW]	Manufacturer Recommended Cooling Airflow (Min/Max)	Blower Size / Motor HP [WJ & # of Speeds]	Motor Speed / Tap	External Static Pressure - Inches W.C. [kPa] (Side Discharge-Dry Coil)											
						0.1 [.02]	0.2 [.05]	0.3 [.07]	0.4 [.10]	0.5 [.12]	0.6 [.15]	0.7 [.17]	0.8 [.20]	0.9 [.22]	1.0 [.25]		
3.0 [10.55]	Cool	Tap 1	60,000 [17.58]	12 x 9T Blower 1/2 HP [372]	Tap 1 60K	CFM	912 [430]	871 [411]	808 [381]	734 [346]	655 [309]	571 [269]	520 [245]	447 [211]			
						RPM	634	664	722	769	811	850	881	906			
						Watts	111	116	131	137	149	151	162	165			
	Heat	Tap 2	80,000 [23.45]	12 x 9T Blower 1/2 HP [372]	Tap 2 80K	CFM	1362 [643]	1327 [626]	1294 [611]	1267 [598]	1207 [570]	1151 [543]	1131 [534]	1085 [512]	1022 [482]	966 [451]	
						RPM	794	833	872	897	948	976	1005	1038	1078	1112	
						Watts	287	295	317	331	331	351	361	365	370	399	
	Tap 5	100,000 [29.31]	1000 CFM / 1400 CFM	12 x 9T Blower 1/2 HP [372]	Tap 3 100K	CFM	1435 [667]	1405 [663]	1378 [650]	1349 [637]	1309 [618]	1266 [597]	1233 [582]	1193 [563]	1134 [535]	1066 [503]	
						RPM	844	867	892	927	961	991	1022	1052	1101	1130	
						Watts	337	340	358	368	390	389	409	411	438	446	
	3.5 [12.31]	Cool	Tap 3	100,000 [29.31]	12 x 9T Blower 3/4 HP [559]	Tap 4 Low Static Cool	CFM	1163 [549]	1144 [540]	1086 [513]	1073 [506]	987 [466]	927 [437]	870 [411]	819 [387]		
							RPM	749	761	810	836	887	920	964	1005		
							Watts	202	205	217	230	248	248	266	271		
Tap 2		80,000 [23.45]	1200 CFM / 1600 CFM	12 x 9T Blower 3/4 HP [559]	Tap 5 High Static Cool	CFM	1362 [643]	1327 [626]	1294 [611]	1267 [598]	1207 [570]	1151 [543]	1131 [534]	1085 [512]	1022 [482]	966 [451]	
						RPM	794	833	872	897	948	976	1005	1038	1078	1112	
						Watts	287	295	317	317	331	351	361	365	370	399	
Tap 5		100,000 [29.31]	1200 CFM / 1600 CFM	12 x 9T Blower 3/4 HP [559]	Tap 1 Unused	CFM	1362 [643]	1327 [626]	1294 [611]	1267 [598]	1207 [570]	1151 [543]	1131 [534]	1085 [512]	1022 [482]	966 [451]	
						RPM	794	833	872	897	948	976	1005	1038	1078	1112	
						Watts	287	295	317	317	331	351	361	365	370	399	
Tap 3		100,000 [29.31]	1200 CFM / 1600 CFM	12 x 9T Blower 3/4 HP [559]	Tap 2 80K	CFM	1362 [643]	1327 [626]	1294 [611]	1267 [598]	1207 [570]	1151 [543]	1131 [534]	1085 [512]	1022 [482]	966 [451]	
						RPM	794	833	872	897	948	976	1005	1038	1078	1112	
						Watts	287	295	317	317	331	351	361	365	370	399	
Tap 5	100,000 [29.31]	1200 CFM / 1600 CFM	12 x 9T Blower 3/4 HP [559]	Tap 3 100K	CFM	1435 [677]	1405 [663]	1378 [650]	1349 [637]	1309 [618]	1266 [597]	1233 [582]	1193 [563]	1134 [535]	1066 [503]		
					RPM	844	867	892	927	961	991	1022	1052	1101	1130		
					Watts	337	340	358	368	390	389	409	411	438	446		
Tap 5	100,000 [29.31]	1200 CFM / 1600 CFM	12 x 9T Blower 3/4 HP [559]	Tap 4 Low Static Cool	CFM	1362 [643]	1327 [626]	1294 [611]	1267 [598]	1207 [570]	1151 [543]	1131 [534]	1085 [512]	1022 [482]	966 [451]		
					RPM	794	833	872	897	948	976	1005	1038	1078	1112		
					Watts	287	295	317	317	331	351	361	365	370	399		
Tap 5	100,000 [29.31]	1200 CFM / 1600 CFM	12 x 9T Blower 3/4 HP [559]	Tap 5 High Static Cool	CFM	1643 [775]	1609 [759]	1580 [746]	1560 [736]	1511 [713]	1494 [705]	1443 [681]	1404 [663]	1335 [630]	1244 [587]		
					RPM	927	954	986	1001	1035	1052	1083	1111	1122	1133		
					Watts	461	475	490	506	518	528	535	548	550	502		

Note: Set 3-1/2 through 5 ton Cool to Tap 4 for AHRI rated performance

[ ] Designates Metric Conversions

# INDOOR AIRFLOW PERFORMANCE RGEA15 - 208/230 VOLTS (continued)

Nominal Cooling Capacity Tons [kW]	Motor Speed from Factory		Heating Input BTU/HR [kW]	Manufacturer Recommended Cooling Airflow (Min/Max)	Blower Size / Motor HP [W] & # of Speeds	Motor Speed / Tap	External Static Pressure - Inches W.C. [kPa]									
	Cool	Heat					0.1 [ .02]	0.2 [ .05]	0.3 [ .07]	0.4 [ .10]	0.5 [ .12]	0.6 [ .15]	0.7 [ .17]	0.8 [ .20]	0.9 [ .22]	1.0 [ .25]
4.0 [14.07]	Tap 2	80,000 [23.45]	1350 CFM / 1850 CFM	12 x 9T Blower 3/4 HP [559] 5 Speed (Constant Torque)	Tap 1 Unused	CFM	1340 [632]	1305 [616]	1263 [596]	1227 [579]	1186 [560]	1162 [548]	1104 [521]	1020 [481]	960 [453]	897 [423]
					RPM	776	796	831	869	898	925	966	1011	1044	1076	
					Watts	261	268	279	291	303	310	323	339	351	361	
	Tap 5	100,000 [29.31]	1350 CFM / 1850 CFM	12 x 9T Blower 3/4 HP [559] 5 Speed (Constant Torque)	Tap 2 80K	CFM	1340 [632]	1305 [616]	1263 [596]	1227 [579]	1186 [560]	1162 [548]	1104 [521]	1020 [481]	960 [453]	897 [423]
					RPM	776	796	831	869	898	925	966	1011	1044	1076	
					Watts	261	268	279	291	303	310	323	339	351	361	
	Tap 3	100,000 [29.31]	1350 CFM / 1850 CFM	12 x 9T Blower 3/4 HP [559] 5 Speed (Constant Torque)	Tap 3 100K	CFM	1467 [692]	1448 [683]	1404 [663]	1373 [648]	1339 [632]	1306 [616]	1250 [590]	1210 [571]	1164 [549]	1087 [513]
					RPM	826	855	884	910	939	969	1003	1030	1067	1108	
					Watts	328	344	348	363	379	387	398	408	418	434	
	Tap 3	100,000 [29.31]	1350 CFM / 1850 CFM	12 x 9T Blower 3/4 HP [559] 5 Speed (Constant Torque)	Tap 4 Low Static Cool	CFM	1634 [771]	1595 [753]	1547 [730]	1530 [722]	1487 [702]	1462 [690]	1438 [679]	1378 [650]	1352 [638]	1298 [613]
RPM					894	923	950	981	1000	1030	1051	1079	1106	1126		
Watts					432	446	451	468	479	490	508	510	520	520		
Tap 3	100,000 [29.31]	1350 CFM / 1850 CFM	12 x 9T Blower 3/4 HP [559] 5 Speed (Constant Torque)	Tap 5 High Static Cool	CFM	1941 [916]	1915 [904]	1878 [886]	1814 [856]	1773 [837]	1709 [807]	1655 [781]	1570 [741]	1488 [702]	1374 [648]	
				RPM	1028	1047	1068	1091	1104	1113	1124	1136	1142	1147		
				Watts	708	725	729	727	717	696	673	647	618	571		
5.0 [17.59]	1st Stage Tap 2	100,000 [29.31]	1600 CFM / 2100 CFM	12 x 9R Blower 1 HP [746] 5 Speed (Constant Torque)	Tap 1 100K Heat	CFM	1484 [700]	1440 [680]	1405 [663]	1360 [642]	1319 [622]	1280 [604]	1238 [584]	1186 [560]	1128 [532]	1047 [494]
					RPM	812	841	863	889	918	938	965	994	1026	1066	
					Watts	330	338	355	354	379	381	395	408	423	419	
	Tap 1	100,000 [29.31]	1600 CFM / 2100 CFM	12 x 9R Blower 1 HP [746] 5 Speed (Constant Torque)	Tap 2 Unused	CFM	1289 [608]	1239 [585]	1189 [561]	1140 [538]	1101 [520]	1052 [496]	969 [457]	918 [433]	860 [406]	812 [383]
					RPM	726	755	786	815	846	876	912	935	964	986	
					Watts	233	248	249	259	275	292	309	308	321	330	
	Tap 1	100,000 [29.31]	1600 CFM / 2100 CFM	12 x 9R Blower 1 HP [746] 5 Speed (Constant Torque)	Tap 3 Low Cool	CFM	1787 [843]	1746 [824]	1705 [805]	1680 [793]	162 [765]	1607 [758]	1564 [738]	1530 [722]	1505 [710]	1424 [672]
					RPM	950	970	1000	1012	1042	1055	1079	1108	1113	1130	
					Watts	525	538	545	579	571	596	615	610	631	626	
	2nd Stage Tap 5	100,000 [29.31]	1600 CFM / 2100 CFM	12 x 9R Blower 1 HP [746] 5 Speed (Constant Torque)	Tap 4 Med Cool	CFM	1954 [922]	1927 [909]	1889 [892]	1843 [870]	1808 [853]	1738 [820]	1671 [789]	1620 [765]	1543 [728]	1433 [676]
RPM					1030	1042	1061	1082	1100	1121	1130	1133	1138	1146		
Watts					664	673	683	696	704	700	697	684	667	635		
Tap 5	100,000 [29.31]	1600 CFM / 2100 CFM	12 x 9R Blower 1 HP [746] 5 Speed (Constant Torque)	Tap 5 High Cool	CFM	2095 [989]	2045 [695]	1983 [936]	1905 [899]	1840 [868]	1792 [846]	1712 [808]	1641 [774]	1558 [735]	1397 [659]	
				RPM	1103	1114	1114	1123	1125	1130	1139	1140	1144	1148		
				Watts	829	841	832	803	785	770	749	710	685	633		

Note: Set 3-1/2 through 5 ton Cool to Tap 4 for AHRI rated performance

DOWN DISCHARGE PRESSURE DROP (ADD TO EXTERNAL STATIC PRESSURE)						
CFM [L/s]	800 [378]	1000 [472]	1200 [566]	1400 [649]	1600 [755]	2000 [944]
Pressure Drop—Includes W.C. [kPa]	.02 [ .005]	.05 [ .012]	.07 [ .017]	.1 [ .037]	.12 [ .030]	.17 [ .042]

[ ] Designates Metric Conversions

# INDOOR AIRFLOW PERFORMANCE RGEA15 - 460 VOLTS

Nominal Cooling Capacity Tons [kW]	Blower Size / Motor HP [W] & Motor Type	Nominal Heating Capacity Btu/hr [kW]	Motor Speed	External Static Pressure - Inches W.C. [kPa] (Side Discharge-Dry Coil)											
				0.1 [0.02]	0.2 [0.05]	0.3 [0.07]	0.4 [0.10]	0.5 [0.12]	0.6 [0.15]	0.7 [0.17]	0.8 [0.20]	0.9 [0.22]	1.0 [0.25]		
2.0 [7.03]	10 x 9 Blower 1/2 HP [372 W] ECM	60,000 [17.58]	Heat	CFM [l/s]	766 [362]	773 [365]	771 [364]	770 [363]	768 [362]	757 [357]	751 [354]	742 [350]	726 [343]	715 [337]	
				RPM	649	7746	829	897	946	1000	1046	1088	1133	1170	
				Watts	83	107	130	152	169	188	206	222	240	255	
			Cool	CFM [l/s]	891 [421]	902 [426]	910 [429]	906 [428]	912 [430]	906 [428]	903 [426]	891 [421]	876 [413]	868 [410]	
				RPM	747	831	895	957	1017	1068	1111	1151	1186	1223	
				Watts	123	152	176	200	225	247	268	288	302	321	
	2.5 [8.79]	10 x 9 Blower 1/2 HP [372 W] ECM	80,000 [23.44]	Heat	CFM [l/s]	1189 [561]	1198 [565]	1203 [568]	1210 [571]	1212 [572]	1208 [570]	1193 [563]	1194 [564]	1146 [541]	1072 [506]
					RPM	894	964	1008	1084	1142	1187	1234	1285	1301	1310
					Watts	236	273	299	344	378	411	441	477	475	446
				Cool	CFM [l/s]	891 [421]	902 [426]	910 [429]	906 [428]	912 [430]	906 [428]	903 [426]	891 [421]	876 [413]	868 [410]
					RPM	747	831	895	957	1017	1068	1111	1151	1186	1223
					Watts	123	152	176	200	225	247	268	288	302	321
3.0 [10.55]	10 x 9 Blower 1/2 HP [372 W] ECM	60,000 [17.58]	Heat	CFM [l/s]	766 [362]	773 [365]	771 [364]	770 [363]	768 [362]	757 [357]	751 [354]	742 [350]	726 [343]	715 [337]	
				RPM	649	746	829	897	946	1000	1046	1088	1133	1170	
				Watts	83	107	130	152	169	188	206	222	240	255	
			Cool	CFM [l/s]	959 [453]	973 [459]	978 [462]	981 [463]	985 [465]	974 [460]	966 [456]	962 [454]	952 [449]	949 [448]	
				RPM	772	855	922	990	1052	1100	1142	1184	1219	1256	
				Watts	141	172	200	231	259	282	304	326	343	363	
	3.0 [10.55]	10 x 9 Blower 3/4 HP [559 W] ECM	80,000 [23.44]	Heat	CFM [l/s]	1189 [561]	1198 [565]	1203 [568]	1210 [571]	1212 [572]	1208 [570]	1193 [563]	1194 [564]	1146 [541]	1072 [506]
					RPM	894	964	1008	1084	1142	1187	1234	1285	1301	1310
					Watts	236	273	299	344	378	411	441	477	475	446
				Cool	CFM [l/s]	959 [453]	973 [459]	978 [462]	981 [463]	985 [465]	974 [460]	966 [456]	962 [454]	952 [449]	949 [448]
					RPM	772	855	922	990	1052	1100	1142	1184	1219	1256
					Watts	141	172	200	231	259	282	304	326	343	363
3.0 [10.55]	10 x 9 Blower 1/2 HP [372 W] ECM	60,000 [17.58]	Heat	CFM [l/s]	766 [362]	773 [365]	771 [364]	770 [363]	768 [362]	757 [357]	751 [354]	742 [350]	726 [343]	715 [337]	
				RPM	649	746	829	897	946	1000	1046	1088	1133	1170	
				Watts	83	107	130	152	169	188	206	222	240	255	
			Cool	CFM [l/s]	1189 [561]	1199 [566]	12047	1206 [569]	1210 [571]	1202 [567]	1209 [571]	1165 [550]	1125 [531]	1061 [501]	
				RPM	908	964	1024	1094	1144	1195	1234	1269	1290	1307	
				Watts	247	278	311	354	385	421	448	457	454	446	
	3.0 [10.55]	10 x 9 Blower 3/4 HP [559 W] ECM	80,000 [23.44] & 100,000 [29.3]	Heat	CFM [l/s]	1168 [560]	1191 [562]	1191 [562]	1199 [566]	1192 [563]	1182 [558]	1171 [553]	1156 [546]	1123 [530]	1045 [493]
					RPM	904	974	1023	1077	1129	1174	1216	1263	1288	1292
					Watts	235	271	296	326	354	379	400	430	425	413
				Cool	CFM [l/s]	1194 [564]	1200 [566]	1200 [566]	1208 [570]	1200 [566]	1191 [562]	1179 [556]	1165 [550]	1128 [532]	1045 [493]
					RPM	910	981	1027	1083	1134	1179	1219	1267	1291	1294
					Watts	239	276	300	332	359	384	405	435	428	414

Note: Set 3-1/2 through 5 ton Cool to Tap 4 for AHRl rated performance

[ ] Designates Metric Conversions

# INDOOR AIRFLOW PERFORMANCE RGEA15 - 460 VOLTS (continued)

Nominal Cooling Capacity Tons [kW]	Blower Size / Motor HP [W] & Motor Type	Nominal Heating Capacity Btu/hr [kW]	Motor Speed	External Static Pressure - Inches W.C. [kPa] (Side Discharge-Dry Coil)											
				0.1 [0.2]	0.2 [0.5]	0.3 [0.7]	0.4 [1.0]	0.5 [1.2]	0.6 [1.5]	0.7 [1.7]	0.8 [2.0]	0.9 [2.2]	1.0 [2.5]		
3.5 [12.31]	10 x 9 Blower 3/4 HP [559 W] ECM	80,000 [23.44] & 100,000 [29.3]	Heat	CFM [l/s]	1186 [560]	1191 [562]	1191 [562]	1199 [566]	1192 [563]	1182 [558]	1171 [553]	1216 [553]	1156 [546]	1123 [530]	10445
				RPM	904	974	1023	1077	1129	1174	1216	1263	1288	1292	
				Watts	235	271	296	326	354	379	400	430	425	413	
				CFM [l/s]	1396 [612]	1294 [611]	1299 [613]	1299 [613]	1294 [611]	1288 [608]	1275 [602]	1226 [579]	1141 [538]	1050 [496]	
				RPM	969	1035	1078	1133	1173	1220	1259	1295	1302	1301	
4.0 [14.07]	12 x 9 Blower 1 HP [746 W] ECM	80,000 [23.44] & 100,000 [29.3]	Heat	CFM [l/s]	1206 [569]	1215 [573]	1219 [575]	1216 [574]	1218 [575]	1220 [576]	1216 [574]	1215 [573]	1205 [569]	1195 [564]	
				RPM	730	796	837	885	926	962	999	1038	1075	1112	
				Watts	199	238	261	292	317	342	368	397	427	457	
				CFM [l/s]	1535 [724]	1545 [726]	1551 [732]	1554 [733]	1553 [733]	1553 [733]	1551 [732]	1548 [731]	1543 [728]	1532 [723]	
				RPM	873	923	967	1005	1052	1096	1124	1149	1180	1200	
5.0 [17.59]	12 x 9 Blower 1 HP [746 W] ECM	100,000 [29.3]	Heat	CFM [l/s]	1206 [569]	1215 [573]	1219 [575]	1216 [574]	1218 [575]	1220 [576]	1216 [574]	1215 [573]	1205 [569]	1195 [564]	
				RPM	730	796	837	885	926	962	999	1038	1075	1112	
				Watts	199	238	261	292	317	342	368	397	427	457	
				CFM [l/s]	1248 [589]	1256 [593]	1262 [596]	1261 [595]	1262 [596]	1264 [597]	1261 [595]	1261 [595]	1253 [591]	1243 [587]	
				RPM	749	808	853	903	942	979	1014	1051	1086	1121	
5.0 [17.59]	12 x 9 Blower 1 HP [746 W] ECM	100,000 [29.3]	2nd Stage Cool	CFM [l/s]	1837 [867]	1850 [873]	1850 [873]	1853 [875]	1854 [875]	1847 [872]	1834 [866]	1034 [866]	1824 [861]	1818 [858]	
				RPM	997	1053	1094	1128	1164	1202	1225	1256	1283	1305	
				Watts	604	670	719	762	810	860	872	889	927	956	

Note: Set 3-1/2 through 5 ton Cool to Tap 4 for AHRI rated performance

[ ] Designates Metric Conversions

ELECTRICAL DATA – RGEA14 SERIES										
		024AJT***AB	030AJT***AB	036ACD***AA	036ADD***AA	036ACT***AA	036ADT***AA	036AJT***AB	036BCT***AA	036BDT***AA
Unit Information	Unit Operating Voltage Range	187-253	187-253	187-253	414-506	187-253	414-506	187-253	187-253	414-506
	Volts	208/230	208/230	208/230	460	208/230	460	208/230	208/230	460
	Phase	1	1	3	3	3	3	1	3	3
	Hz	60	60	60	60	60	60	60	60	60
	Minimum Circuit Ampacity	19	21	16	9	17	10	24	17	10
	Minimum Overcurrent Protection Device Size	20	25	20	15	20	15	25	20	15
	Maximum Overcurrent Protection Device Size	25	30	20	15	25	15	35	25	15
Compressor Motor	No.	1	1	1	1	1	1	1	1	1
	Volts	208/230	208/230	208/230	460	208/230	460	208/230	208/230	460
	Phase	1	1	3	3	3	3	1	3	3
	RPM	3450	3450	3450	3450	3450	3450	3450	3450	3450
	HP, Compressor 1	2 1/6	2 2/3	3 1/3	3 1/3	3 1/3	3 1/3	3 1/3	3 1/3	3 1/3
	Amps (RLA), Comp. 1	11.2	12.8	9	5.6	9	5.6	14.1	9	5.6
	Amps (LRA), Comp. 1	60.8	64	71	38	71	38	77	71	38
	HP, Compressor 2									
	Amps (RLA), Comp. 2									
Amps (LRA), Comp. 2										
Condenser Motor	No.	1	1	1	1	1	1	1	1	1
	Volts	208/230	208/230	208/230	460	206/230	460	208/230	208/230	460
	Phase	1	1	1	1	1	1	1	1	1
	HP	1/3	1/3	1/3	1/3	1/3	1/3	1/3	1/3	1/3
	Amps (FLA, each)	1.5	1.5	1.5	0.8	1.5	0.8	1.5	1.5	0.8
	Amps (LRA, each)	3	3	3	1.6	3	1.6	3	3	1.6
Evaporator Fan	No.	1	1	1	1	1	1	1	1	1
	Volts	208/230	208/230	208/230	460	208/230	460/460	208/230	208/230	460/460
	Phase	1	1	1	1	1	1	1	1	1
	HP	1/3	1/2	1/2	1/2	1/2	1/2	1/2	1/2	1/2
	Amps (FLA, each)	2.8	2.8	2.5	1.2	4.1	2.1	4.1	4.1	2.1
	Amps (LRA, each)			4.6	2.4					

1. Horsepower Per Compressor.
2. Amp Draw Per Motor. Multiply Value By Number of Motors to Determine Total Amps.

### ELECTRICAL DATA – RGEA14 SERIES

		042ACT***AA	042AJT***AB	048ACT***AA	048ADT***AA	048AJT***AB	048BCT***AA	048BDT***AA	060ACT***AA	060ADT***AA
<b>Unit Information</b>	Unit Operating Voltage Range	187-253	187-253	187-253	187-253	187-253	187-253	414-506	197-253	414-506
	Volts	208/230	208/230	208/230	460	208/230	208/230	460	208/230	460
	Phase	3	1	3	3	1	3	3	3	3
	Hz	60	60	60	60	60	60	60	60	60
	Minimum Circuit Ampacity	24	30	25	12	33	25	12	32	16
	Minimum Overcurrent Protection Device Size	25	30	25	35	35	25	35	35	20
	Maximum Overcurrent Protection Device Size	35	45	35	15	50	35	15	45	20
<b>Compressor Motor</b>	No.	1	1	1	1	1	1	1	1	1
	Volts	208/230	208/230	208/230	460	208/230	208/230	460	208/230	460
	Phase	3	1	3	3	1	3	1	3	3
	RPM	3450	3450	3450	3450	3450	3450	3450	3500	3500
	HP, Compressor 1	3 1/2	3 1/2	4	4	4	4	4	5	5
	Amps (RLA), Comp. 1	13.2	17.9	13.1	6.1	19.9	13.1	6.1	17.8	8.6
	Amps (LRA), Comp. 1	88	112	83.1	41	109	83.1	43	110	52
	HP, Compressor 2									
	Amps (RLA), Comp. 2									
	Amps (LRA), Comp. 2									
<b>Condenser Motor</b>	No.	1	1	1	1	1	1	1	1	1
	Volts	208/230	208/230	208/230	460	208/230	208/230	460	208/230	460
	Phase	1	1	1	1	1	1	1	1	1
	HP	1/3	1/3	1/3	1/3	1/3	1/3	1/3	1/3	1/3
	Amps (FLA, each)	1.5	1.5	2	1	2	2	1	2	1
	Amps (LRA, each)	3	3	3.9	2.2	3.9	3.9	3.9	3.9	2.2
<b>Evaporator Fan</b>	No.	1	1	1	1	1	1	1	1	1
	Volts	208/230	208/230	208/230	460	208/230	208/230	460	208/230	460
	Phase	1	1	1	1	1	1	1	1	1
	HP	3/4	3/4	3/4	3/4	3/4	3/4	3/4	1	1
	Amps (FLA, each)	6	6	6	3.2	6	6	3.2	7.6	4
	Amps (LRA, each)									

1. Horsepower Per Compressor.
2. Amp Draw Per Motor. Multiply Value By Number of Motors to Determine Total Amps.



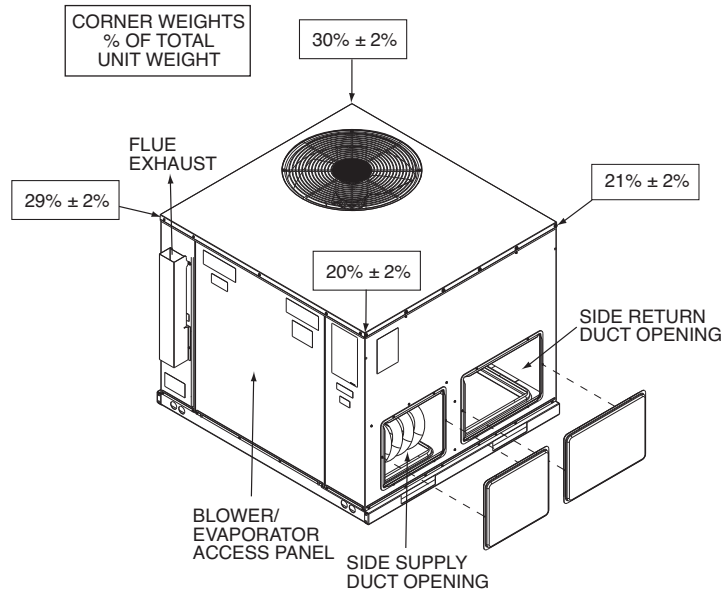
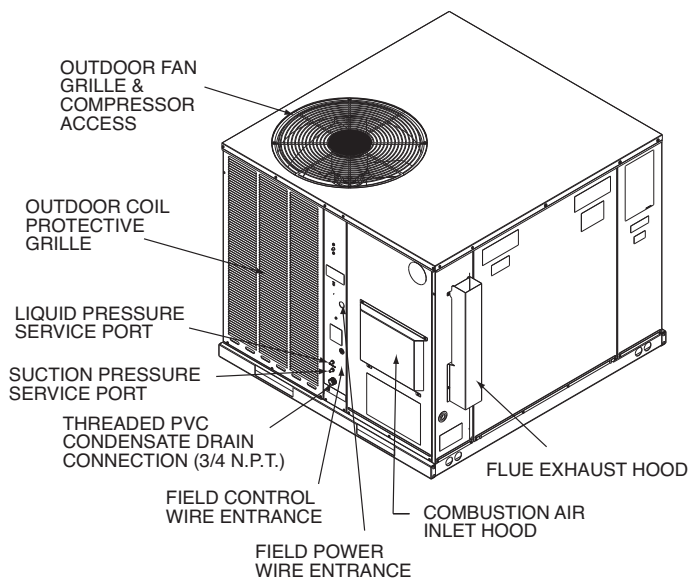
ELECTRICAL DATA – RGEA15 SERIES									
		024AJV***AB	030AJV***AB	036AJV06*AB	036AJV08*AB	036AJV10*AB	042AJV***AB	048AJV***AB	060AJV***AB
Unit Information	Unit Operating Voltage Range	187-253	187-253	187-253	187-253	187-253	187-253	187-253	187-253
	Volts	208/230	208/230	208/230	208/230	208/230	208/230	208/230	208/230
	Phase	1	1	1	1	1	1	1	1
	Hz	60	60	60	60	60	60	60	60
	Minimum Circuit Ampacity	19	21	23	24	24	28	34	45
	Minimum Overcurrent Protection Device Size	25	25	30	30	30	35	40	60
	Maximum Overcurrent Protection Device Size	30	30	35	35	35	45	50	70
Compressor Motor	No.	1	1	1	1	1	1	1	1
	Volts	208/230	208/230	208/230	208/230	208/230	208/230	208/230	208/230
	Phase	1	1	1	1	1	1	1	1
	RPM	3450	3450	3450	3450	3450	3450	3450	3450
	HP, Compressor 1	2 1/6	2 2/3	3 1/3	3 1/3	3 1/3	3 1/2	4	5
	Amps (RLA), Comp. 1	11.2	12.8	14.1	14.1	14.1	17.9	19.9	28.8
	Amps (LRA), Comp. 1	60.8	64	77	77	77	112	109	152.9
	HP, Compressor 2								
	Amps (RLA), Comp. 2								
Amps (LRA), Comp. 2									
Condenser Motor	No.	1	1	1	1	1	1	1	1
	Volts	208/230	208/230	208/230	208/230	208/230	208/230	208/230	208/230
	Phase	1	1	1	1	1	1	1	1
	HP	1/3	1/3	1/3	1/3	1/3	1/3	1/3	1/3
	Amps (FLA, each)	1.5	1.5	1.5	1.5	1.5	1.5	2	2
	Amps (LRA, each)	3	3	3	3	3	3	3.9	3.9
Evaporator Fan	No.	1	1	1	1	1	1	1	1
	Volts	208/230	208/230	208/230	208/230	208/230	208/230	208/230	208/230
	Phase	1	1	1	1	1	1	1	1
	HP	1/2	1/2	1/2	1/2	1/2	3/4	1	1
	Amps (FLA, each)	3.5	3.5	3.5	4	4	4	6.8	6.8
	Amps (LRA, each)								

1. Horsepower Per Compressor.
2. Amp Draw Per Motor. Multiply Value By Number of Motors to Determine Total Amps.

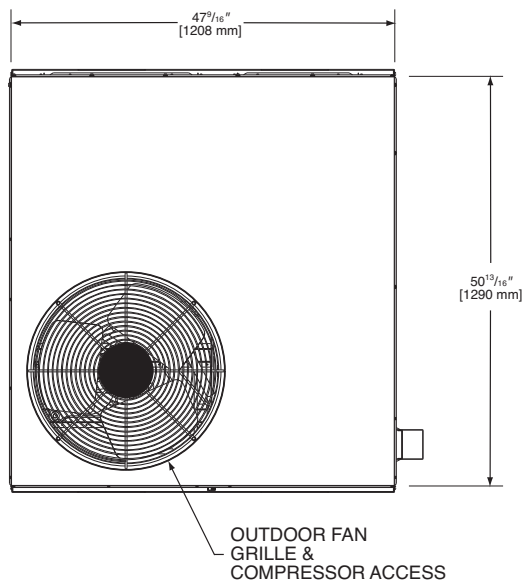
### ELECTRICAL DATA – RGEA15 SERIES

		036ACT***AA	036ADT***AA	042ACT**AA	048ACT**AA	048ADT**AA	060ACT**AA	060ADT**AA
<b>Unit Information</b>	Unit Operating Voltage Range	187-253	414-506	187-253	187-253	414-506	197-253	414-506
	Volts	208/230	460	208/230	208/230	460	208/230	460
	Phase	3	3	3	3	3	3	3
	Hz	60	60	60	60	60	60	60
	Minimum Circuit Ampacity	17	10	24	25	12	30	15
	Minimum Overcurrent Protection Device Size	20	15	25	25	35	50	20
	Maximum Overcurrent Protection Device Size	25	15	35	35	15	45	20
<b>Compressor Motor</b>	No.	1	1	1	1	1	1	1
	Volts	208/230	460	208/230	208/230	460	208/230	460
	Phase	3	3	3	3	1	3	3
	RPM	3450	3450	3450	3450	3450	3450	3450
	HP, Compressor 1	3 1/3	3 1/3	3 1/2	4	4	5	5
	Amps (RLA), Comp. 1	9	5.6	13.2	13.1	6.1	16.2	7.5
	Amps (LRA), Comp. 1	71	38	88	83.1	43	110	52
	HP, Compressor 2							
	Amps (RLA), Comp. 2							
Amps (LRA), Comp. 2								
<b>Condenser Motor</b>	No.	1	1	1	1	1	1	1
	Volts	208/230	460	205/230	208/230	460	208/230	460
	Phase	1	1	1	1	1	1	1
	HP	1/3	1/3	1/3	1/3	1/3	1/3	1/3
	Amps (FLA, each)	1.5	0.8	1.5	2	1	2	1
	Amps (LRA, each)	3	1.6	3	3.9	3.9	3.9	2.2
<b>Evaporator Fan</b>	No.	1	1	1	1	1	1	1
	Volts	208/230	460/460	208/230	208/230	460	208/230	460/460
	Phase	1	1	1	1	1	1	1
	HP	1/2	1/2	3/4	3/4	3/4	1	1
	Amps (FLA, each)	4.1	2.1	6	6	3.2	7.6	4
	Amps (LRA, each)							

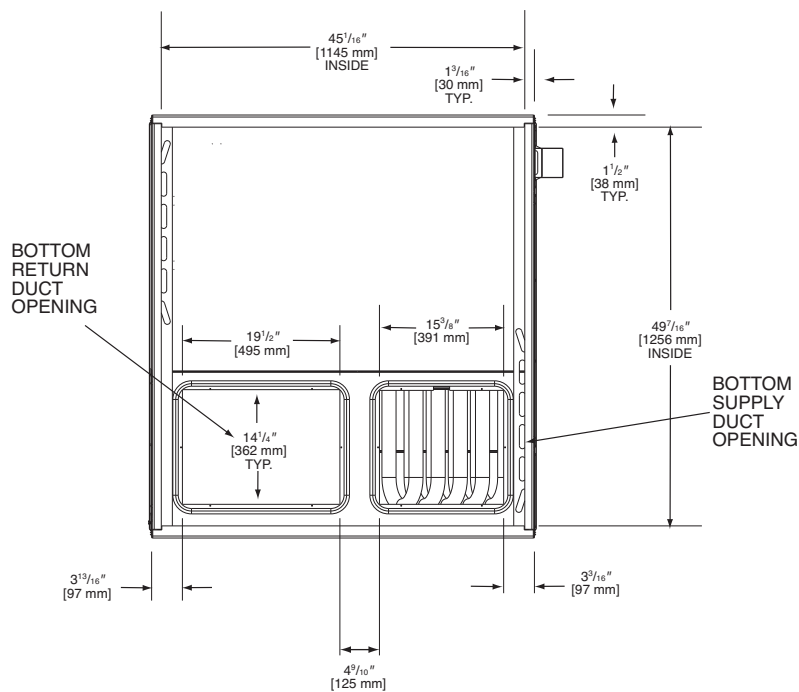
1. Horsepower Per Compressor.
2. Amp Draw Per Motor. Multiply Value By Number of Motors to Determine Total Amps.



**TOP VIEW**

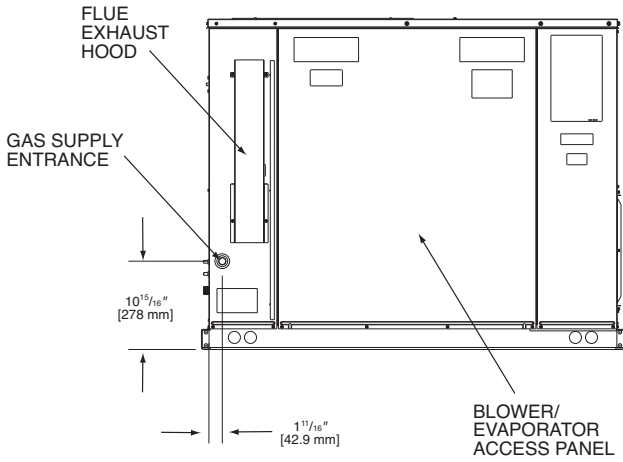


**BOTTOM VIEW**

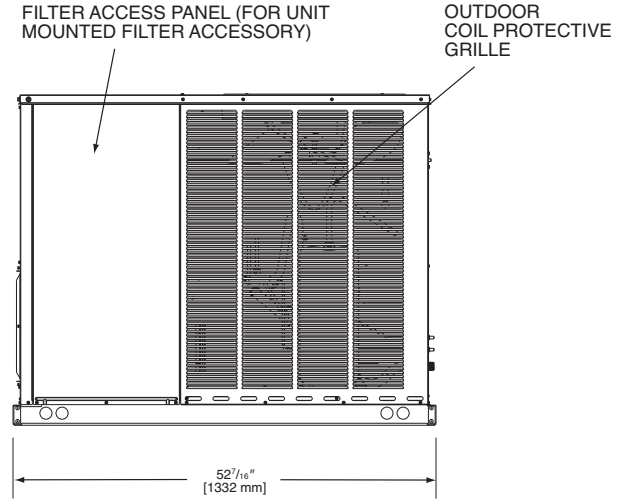


[ ] Designates Metric Conversions

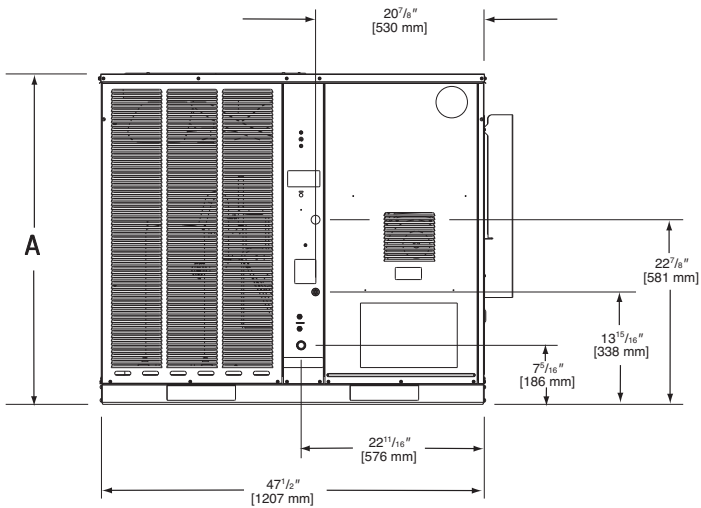
### SIDE VIEW



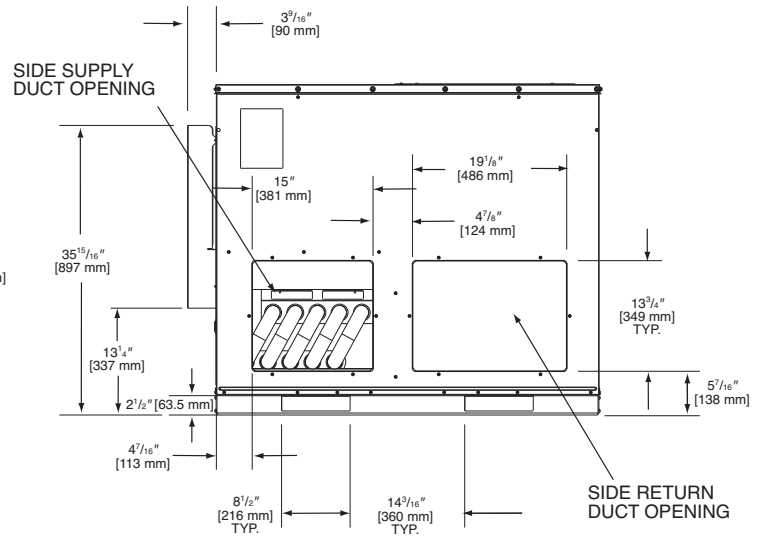
### SIDE VIEW



### FRONT VIEW



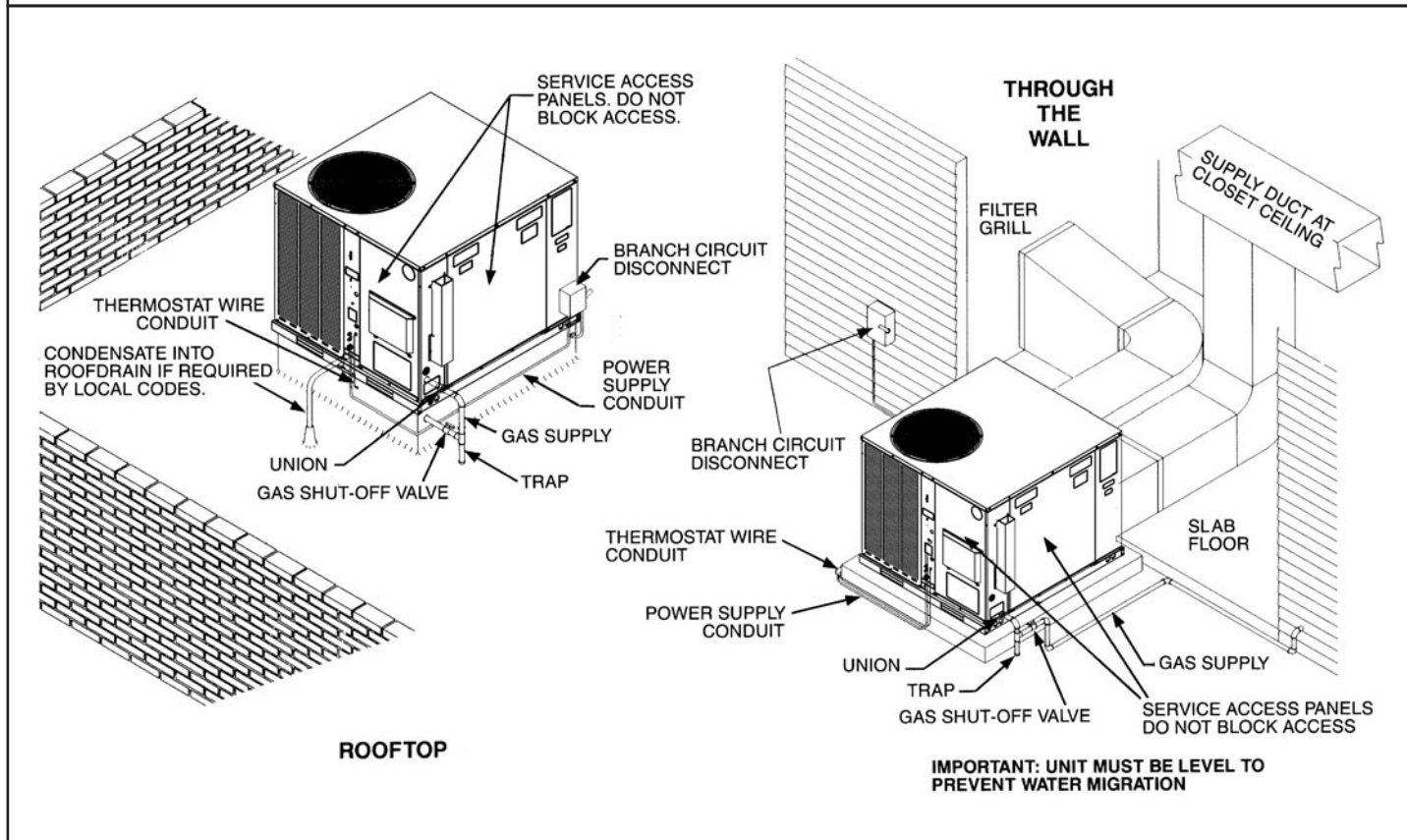
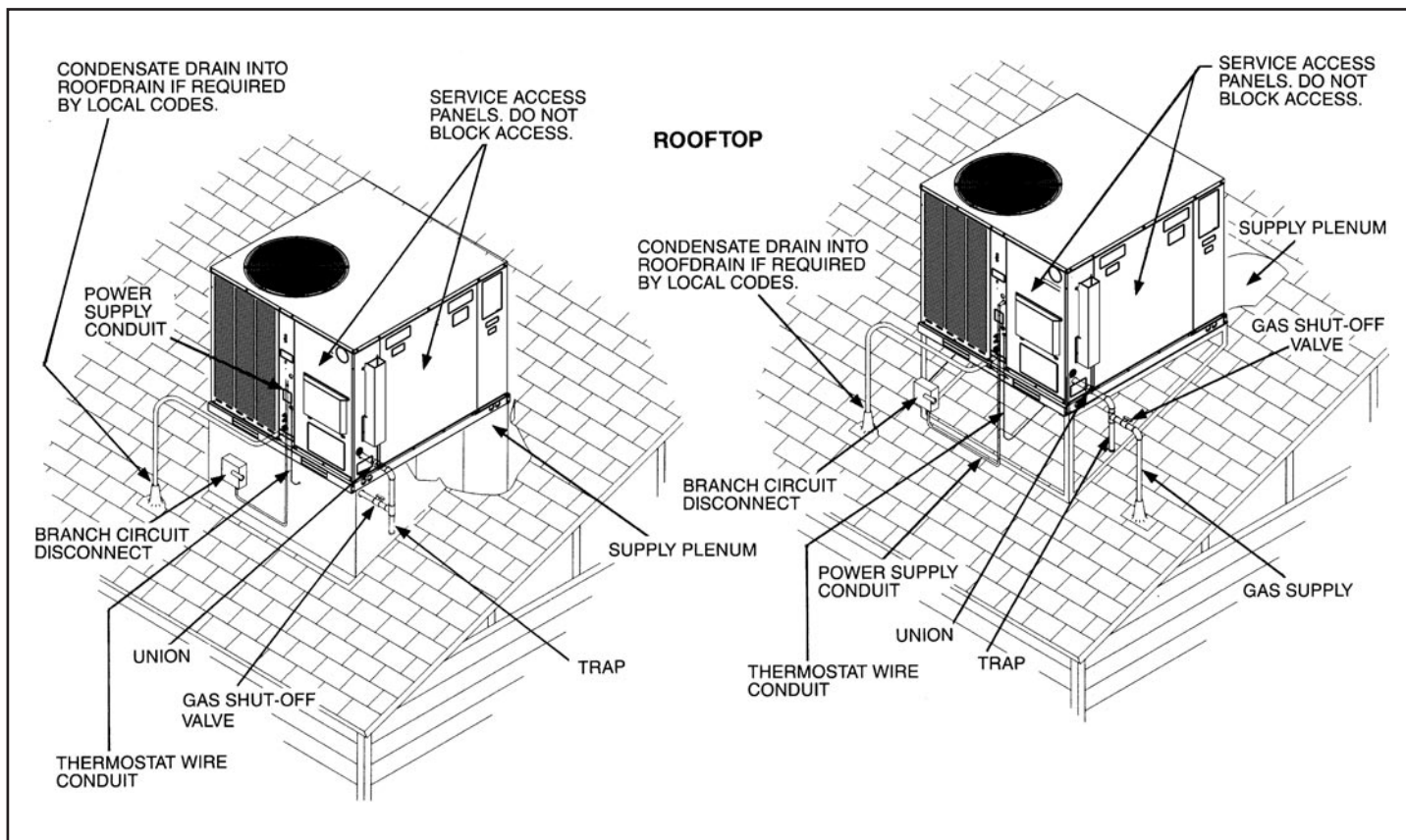
### BACK VIEW



SHOWN WITH DUCT COVERS REMOVED.

Models RGEA 14/15	Height "A"
024, 030, 036, 042	35 <sup>15</sup> / <sub>16</sub> "
048, 060	41"

[ ] Designates Metric Conversions



[ ] Designates Metric Conversions



## ACCESSORY EQUIPMENT

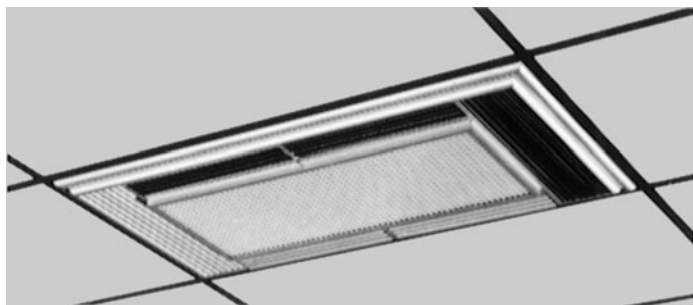
Accessory Description	Model Application	Accessory Model No.
Roofcurbs	RGEA14/15	RXSG-AAA08 (8" [203 mm] Height) RXSG-AAA14 (14" [356 mm] Height) RXSG-AAA24 (24" [610 mm] Height)
Supply & Return Diffusers	RGEA14/15	RXRN-BD15
Economizers (convertible)	RGEA14/15	AXRD-01RACAM3
Fresh Air Damper	RGEA14/15	AXRF-FAB1 (Motorized-35%) AXRF-FAA1 (Fixed-35%)
Rectangular to Round Transition (Downflow)	RGEA14/15	RXMC-CA02 (16" [406 mm] Ducts) RXMC-CA03 (18" [457 mm] Ducts)
Filter Kit	RGEA14/15	RXRY-B01
Sideflow Rectangular to Round Transition	RGEA14/15	AXMC-BA01
LP Conversion Kits	RGEA14/15	RXGJ-EP84W (White-Rodgers Gas Valve) RXGJ-EP85H (Honeywell Gas Valve) RXGJ-FP28
Low Ambient Control	RGEA14/15	RXRZ-B01
High Pressure Control	RGEA14/15 <sup>2</sup>	RXAB-E01
Low Pressure Control	RGEA14/15 <sup>2</sup>	RXAC-C01
Canadian High Altitude Kit (for Natural Gas only <sup>1</sup> )	RGEA14/15	RXRZ-AH01

<sup>1</sup> If a particular unit is to be converted to operate on LP (propane) for elevations above 2000 ft. [609.6 m] in Canada, the existing Natural Gas to LP Conversion Kits for the subject models already contain the necessary orifices and instructions to de-rate the input for 2000-4500 ft. [609.6-1371.6 m] Canadian applications.

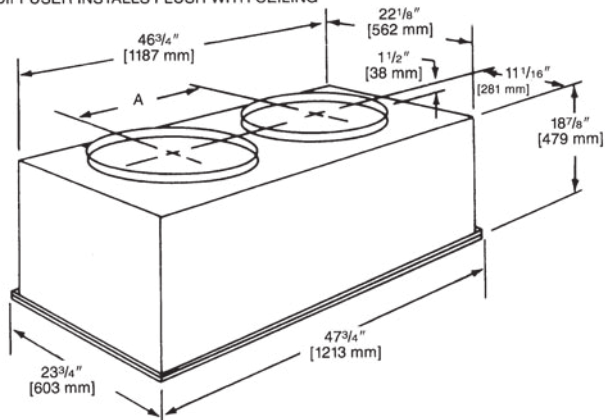
<sup>2</sup> High pressure switches are standard for RGEA15 Models.

[ ] Designates Metric Conversions

## COMMON SUPPLY/RETURN CONCENTRIC AIR DIFFUSER

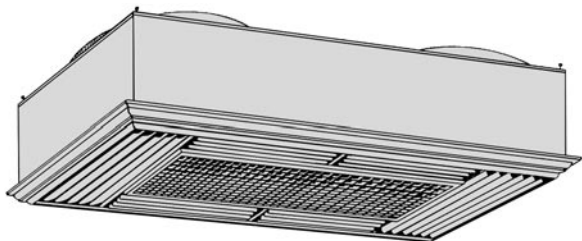


DIFFUSER INSTALLS FLUSH WITH CEILING



**NOTE:** The location of the combination supply and return diffuser should not exceed 10 feet [3.05 m] above the floor level for units @ 1000 CFM [472 L/s] or less and 12 [3.66 m] to 14 feet [4.27 m] above the floor level for units with CFM greater than 1000 [472 L/s]. If the diffuser is installed with a greater distance than recommended above, the supply air may become stratified above the required comfort area causing uncomfortable conditions.

## SUPPLY/RETURN DIFFUSER



Designed to convert a side by side or an over and under arrangement into a concentric distribution of air. The diffuser is flush mounted, completely insulated, assembled, and internally baffled to provide four way supply air distribution with a center return. To make the assembly complete and ready to fit into a 2' [0.61 m] x 4' [1.22 m] suspended ceiling grid, the diffuser includes adjustable supply louvers, hanging rings, anti-sweat gasket, and round flanges for use with flexible ducts.

Model No. RXRN-	Diameter Inches [mm]	Shipping Wt. Lbs. [kg]	Dimension A Inches [mm]
BD15	16 [406]	90 [40.82]	20 1/2 [521]

## AIRFLOW/PRESSURE DROP INFORMATION (INCHES W.C. [kPa])

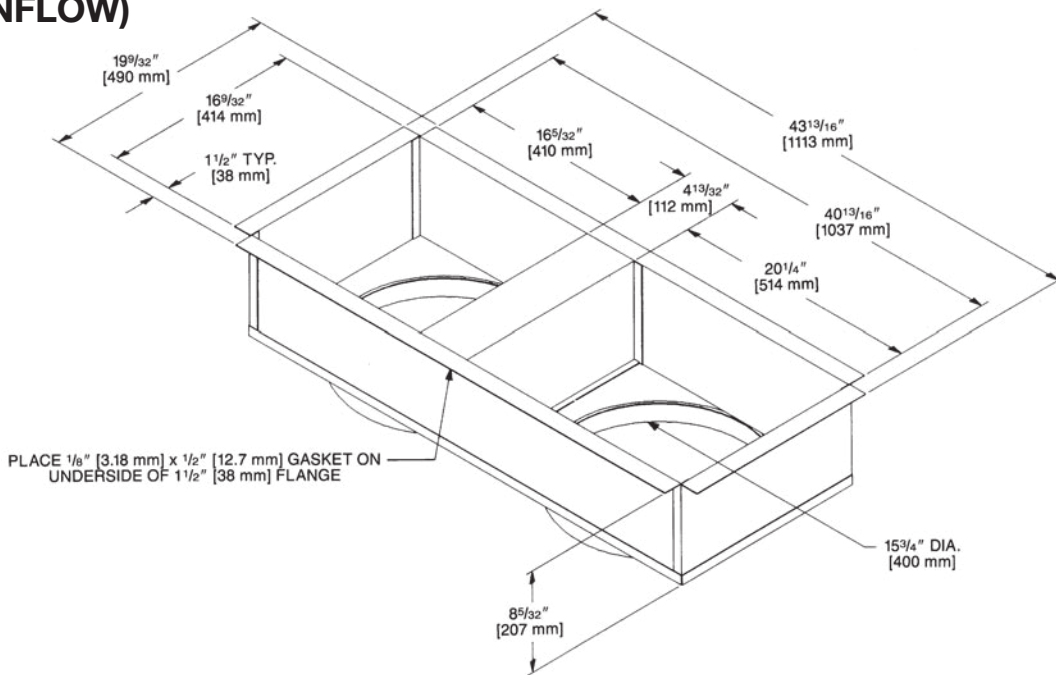
Accessory	Approximate CFM [L/s]-Supply Air			
	1300 [614]	1575 [743]	1800 [850]	2200 [1038]
Plenum & Supply/Return Duct	.07 [.017]	.10 [.024]	.12 [.030]	.17 [.042]
Diffuser	.09 [.022]	.13 [.032]	.16 [.040]	.24 [.060]
Economizer	.06 [.015]	.09 [.022]	.11 [.027]	.17 [.042]

## SUPPLY AIR/PERFORMANCE

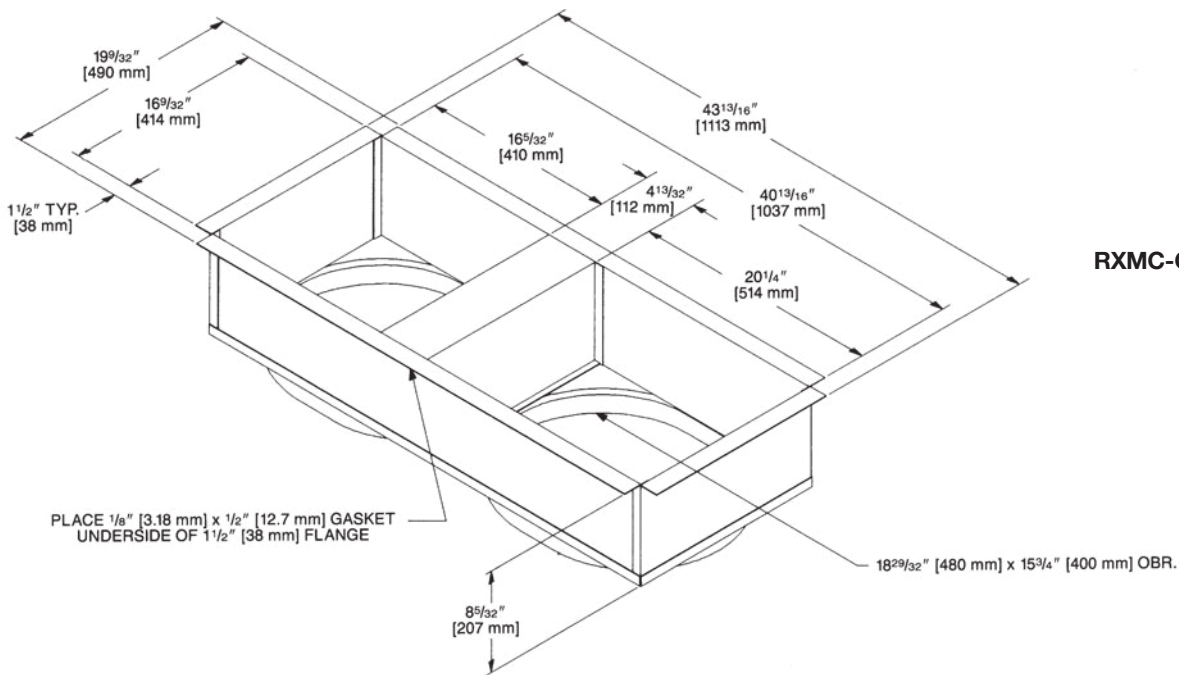
Diffuser Airflow CFM [L/s]	Range of Throw Ft. [m]
800 [378]-1200 [566]	14 [4.27]-16 [4.88]
1600 [755]-2000 [944]	18 [5.49]-28 [8.53]

# DUCT ADAPTERS RECTANGULAR TO ROUND TRANSITIONS (DOWNFLOW)

**RXMC-CA02**



**RXMC-CA03**



[ ] Designates Metric Conversions

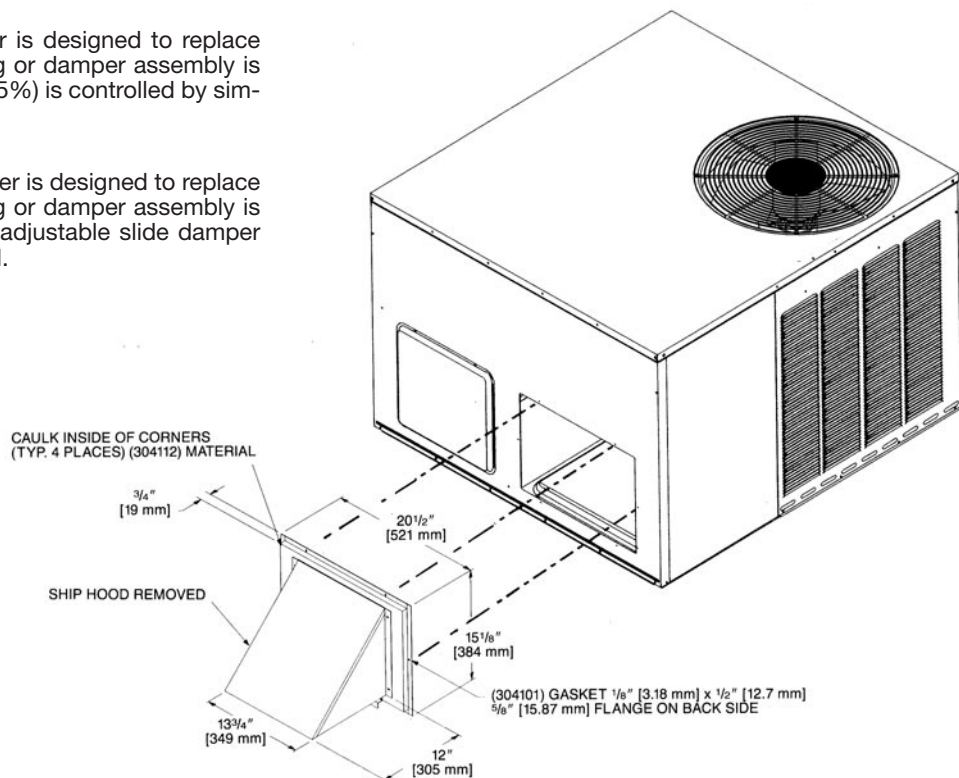
## FRESH AIR DAMPER

### AXRF-FAA1 (Fixed - 0-35%)

The 0-35% manual outside Air Damper is designed to replace the unit return air duct cover. No drilling or damper assembly is required. The amount of outside air (0-35%) is controlled by simply adjusting the side damper.

### AXRF-FAB1 (Motorized - 0-35%)

The 0-35% motorized outside Air Damper is designed to replace the unit return air duct cover. No drilling or damper assembly is required. The control motor opens the adjustable slide damper when the unit blower motor is energized.



[ ] Designates Metric Conversions

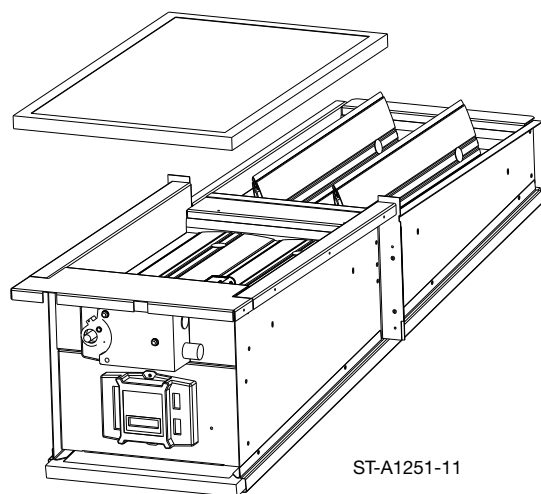
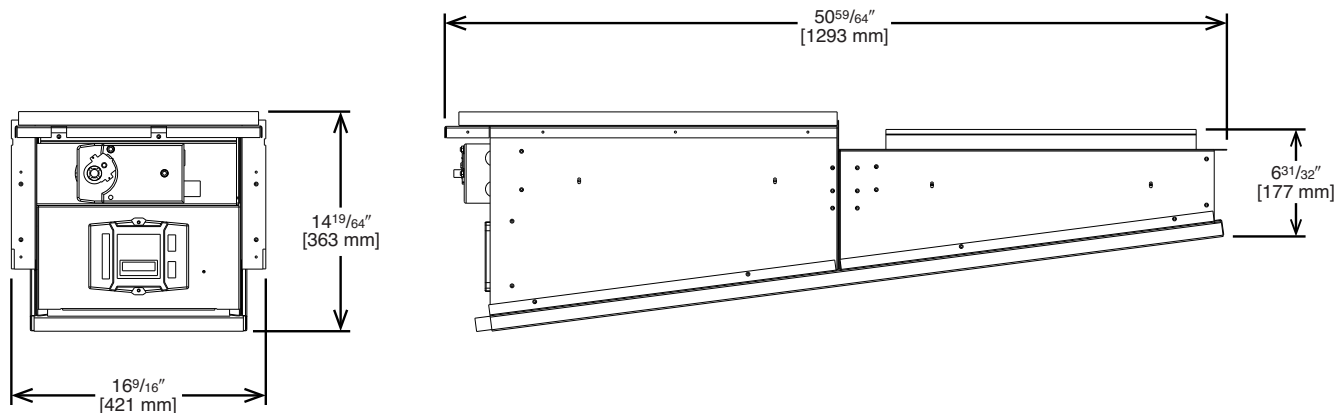
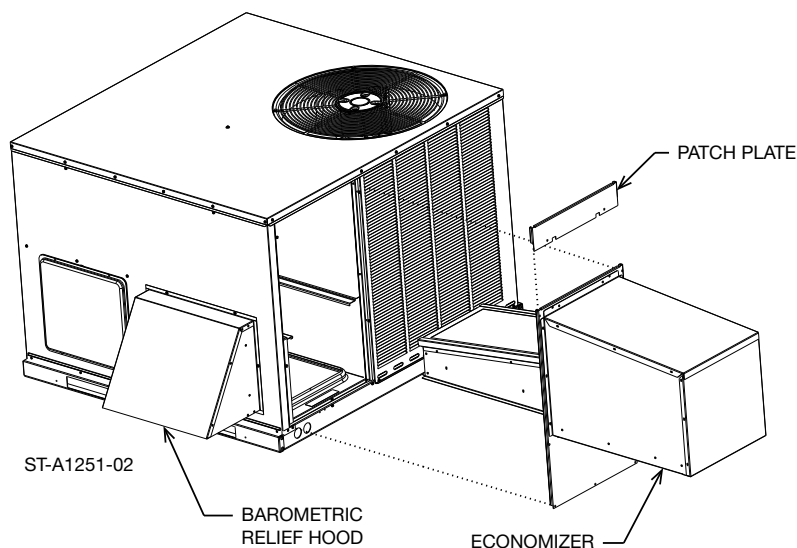


## ECONOMIZERS

### AXRD-01RACAM3 (Fully Modulating)

#### Horizontally and Vertically Applicable

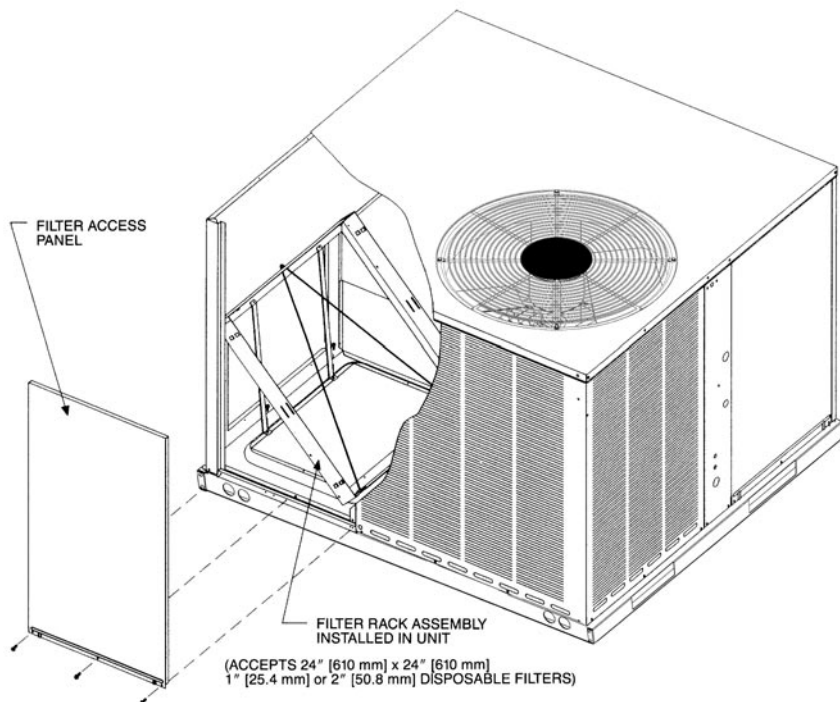
- LCD Screen for Continuous diagnostic and system status
- Programmable set points for accurate positioning
- Simplified wiring and color coded terminals
- Onboard fault detection and diagnostics (FDD)
- Operational Checkout to verify installation
- Enthalpy sensors and actuator that communicate through a Sylk Bus Network with the Jade Controller reducing wiring errors while providing more information
- CO<sub>2</sub> sensor input for DCV (Demand Control Ventilation) applications
- RXRX-AV04 Dual Enthalpy kit available for field installation
- AMCA licensed class 1A low leak Dampers



[ ] Designates Metric Conversions

# FILTER KIT INSTALLATION RXRY-B01

For use in either  
vertical or horizontal  
discharge.



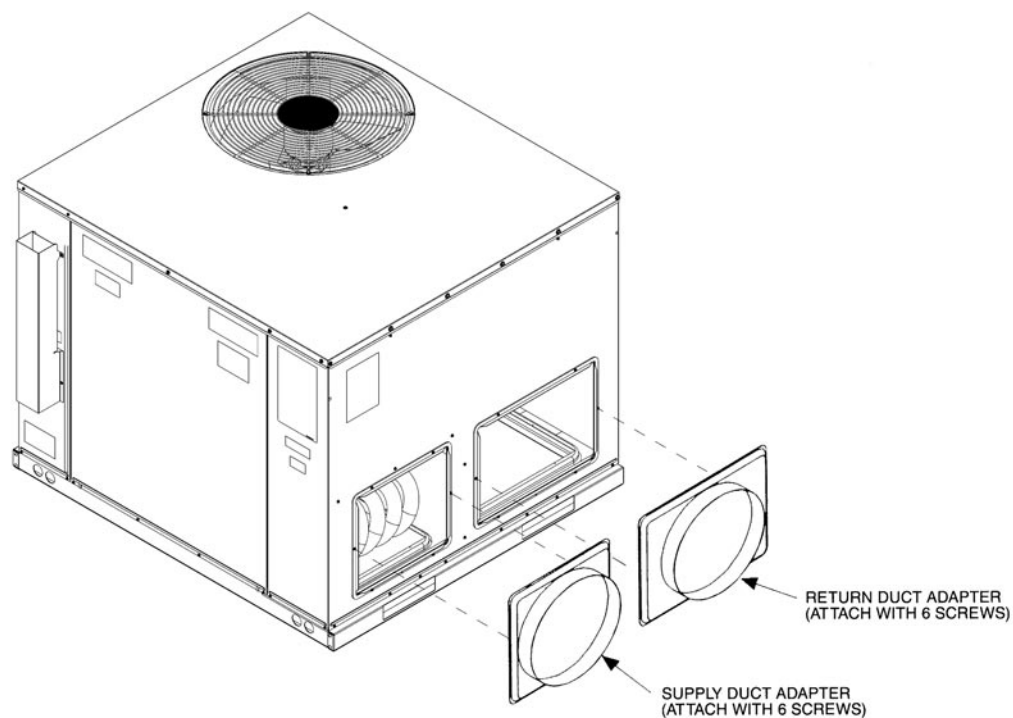
Airflow Pressure Drop, Inches W.C. [kPa]		
CFM [L/s]	1" Filter	2" Filter
500 [236]	.02 [.0050]	.03 [.0075]
600 [283]	.02 [.0050]	.03 [.0075]
700 [330]	.03 [.0075]	.04 [.0101]
800 [378]	.04 [.0101]	.05 [.0124]
900 [425]	.05 [.0124]	.06 [.0149]
1000 [472]	.07 [.0174]	.08 [.0199]
1100 [519]	.08 [.0199]	.09 [.0224]
1200 [566]	.10 [.0249]	.12 [.0299]
1300 [614]	.13 [.0324]	.15 [.0373]
1400 [661]	.16 [.0398]	.19 [.0473]
1500 [708]	.19 [.0473]	.21 [.0523]
1600 [755]	.20 [.0498]	.23 [.0572]
1700 [802]	.21 [.0523]	.24 [.0598]
1800 [850]	.22 [.0548]	.25 [.0623]
1900 [897]	.24 [.0598]	.27 [.0672]
2000 [944]	.26 [.0647]	.29 [.0722]

[ ] Designates Metric Conversions

## DUCT ADAPTER SIDEFLOW SQUARE TO ROUND TRANSITION RXMC-A01

Adapts the side rectangular supply and return openings to 14" [356 mm] diameter round openings. Adapters provided with same finish as unit and also provided with thermal insulation.

[ ] Designates Metric Conversions

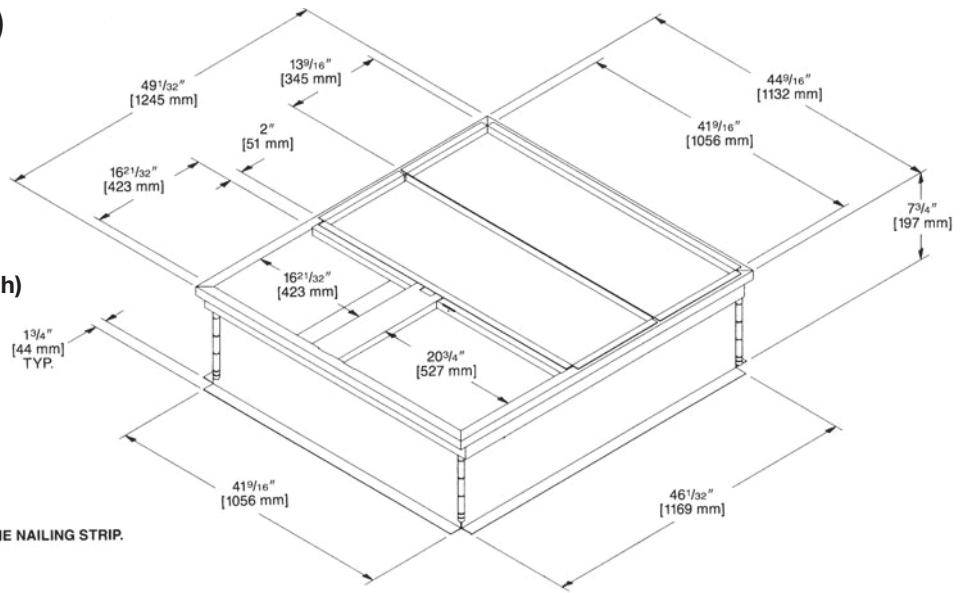


# ROOFCURB (Full Perimeter)

## RXSG-AAA08, RXSG-AAA14 and RXSG-AAA24

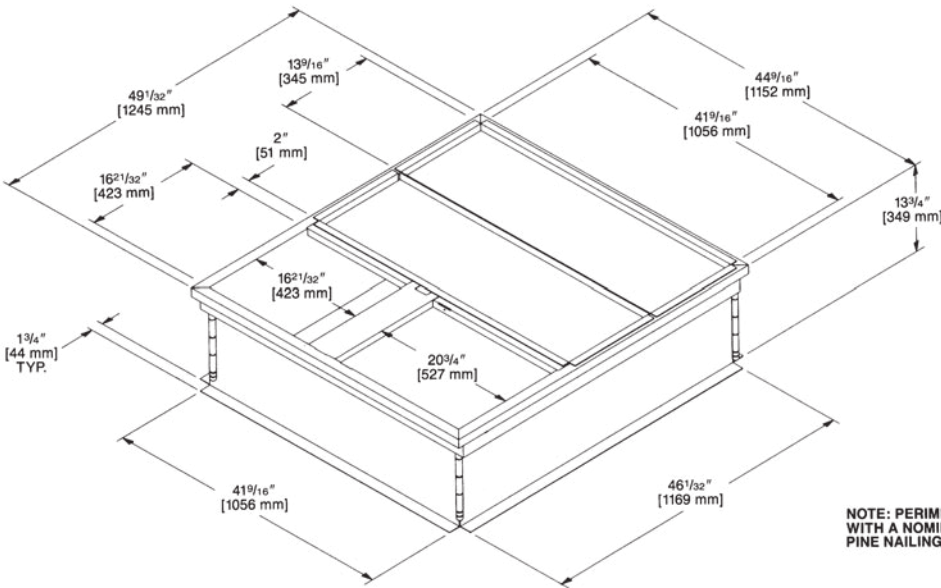
Hinged corners make for fast, easy set-up.

**RXSG-AAA08  
(8" [203 mm] High)**



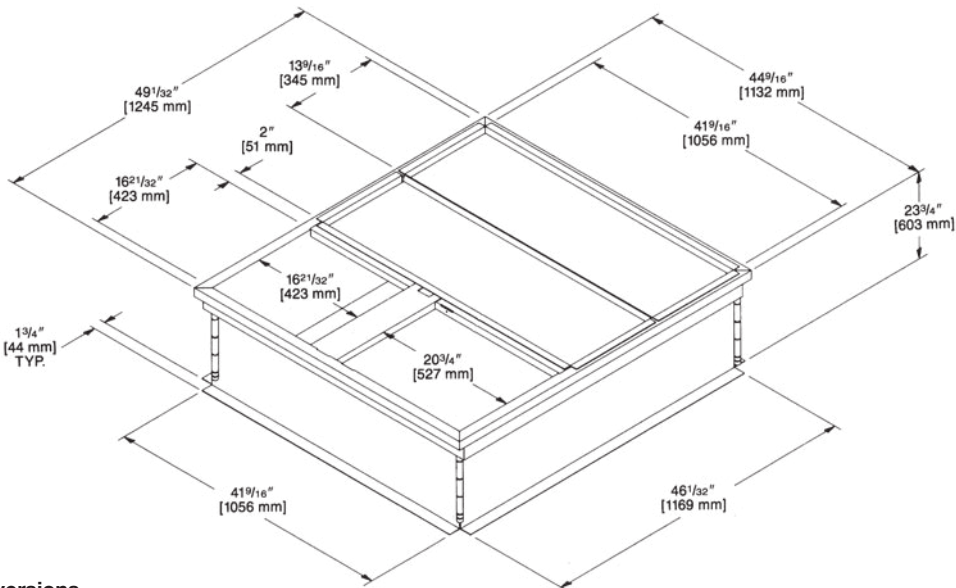
NOTE: PERIMETER OF ROOFCURB IS SUPPLIED WITH A NOMINAL 1" [25.4 mm] x 4" [102 mm] PINE NAILING STRIP.

**RXSG-AAA14  
(14" [356 mm] High)**



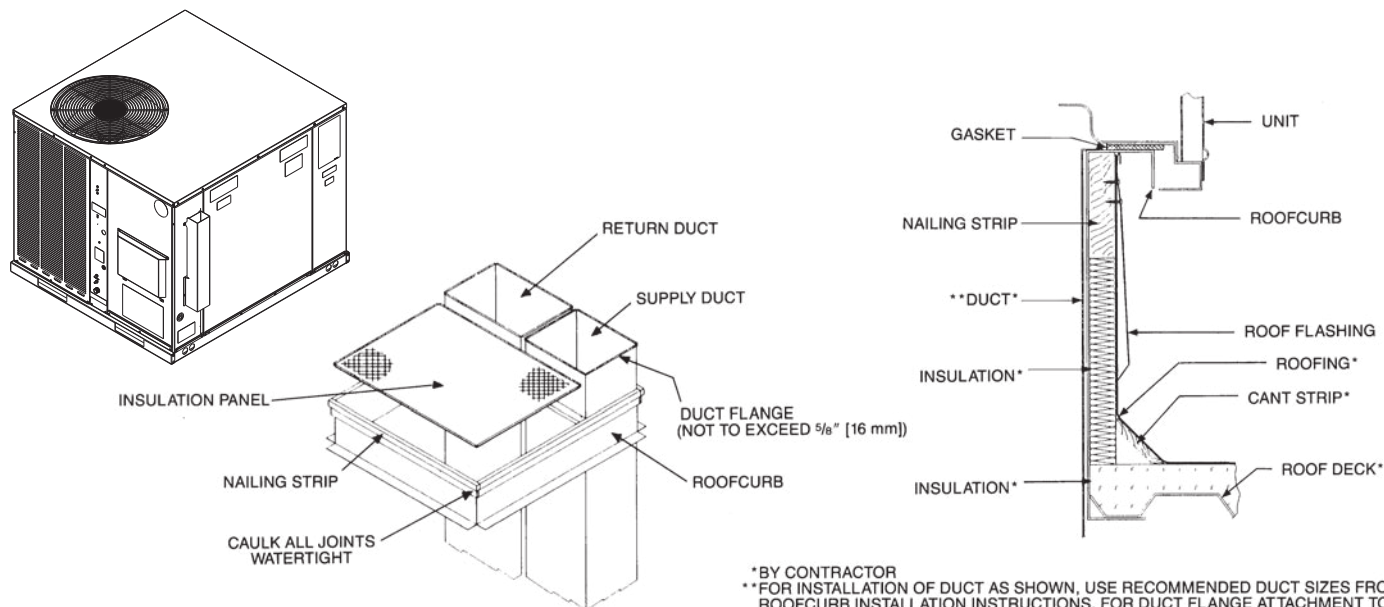
NOTE: PERIMETER OF ROOFCURB IS SUPPLIED WITH A NOMINAL 1" [25.4 mm] x 4" [102 mm] PINE NAILING STRIP.

**RXSG-AAA24  
(24" [610 mm] High)**



[ ] Designates Metric Conversions

# PACKAGE AIR CONDITIONERS & PACKAGE GAS/ELECTRIC UNITS ROOFCURB INSTALLATION (Full Perimeter)



\*BY CONTRACTOR  
 \*\*FOR INSTALLATION OF DUCT AS SHOWN, USE RECOMMENDED DUCT SIZES FROM ROOFCURB INSTALLATION INSTRUCTIONS. FOR DUCT FLANGE AT ATTACHMENT TO UNIT, SEE UNIT INSTALLATION INSTRUCTIONS FOR RECOMMENDED DUCT SIZES.

## ROOFCURB ADAPTERS

Fabricated from galvanized steel to adapt the New cabinet to the old style curb. All are furnished with a New gasket.

### OLD MODEL

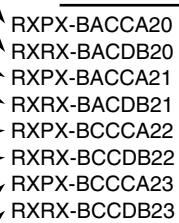
**SMALL CABINET**  
 (1½-2 TON) [5.28-7.03 kW]  
 RSNC-, RSND-, RSNE-  
 RRGE-, RRGF-, RRGG-, RSNY



### OLD CURB MODEL

RXPA-CA20 (1)  
 RXRA-DB20 (2)

### NEW MODEL TO OLD MODEL ROOFCURB ADAPTER

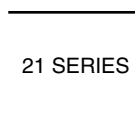


### NEW MODEL PACKAGE

ONLY 1 CABINET SIZE—  
ALL MODELS

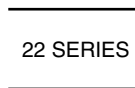


**MEDIUM CABINET**  
 (2½-3 TON) [8.79-10.55 kW]  
 RSNC-, RSND-, RSNE-  
 RRGE-, RRGF-, RRGG-, RSNY



RXPA-CA21 (1)  
 RXRA-DB21 (2)

**LARGE CABINET**  
 (3-3½ TON) [10.55-12.31 kW]  
 RRGE-, RRGF-, RRGG-, RSNY



RXPA-CA22 (1)  
 RXRA-DB22 (2)

**EXTRA LARGE CABINET**  
 (3½-5 TON) [12.31-17.6 kW]  
 RSNC-, RSND-, RSNE-  
 RRGE-, RRGF-, RRGG-, RSNY  
 (4-5 TON) [14.07-17.58 kW]



RXPA-CA23 (1)  
 RXRA-DB23 (2)

(1) SLOPE TYPE  
 (2) FULL PERIMETER TYPE

[ ] Designates Metric Conversions

**BEFORE PURCHASING THIS APPLIANCE, READ IMPORTANT ENERGY COST AND EFFICIENCY INFORMATION AVAILABLE FROM YOUR RETAILER.**

**GENERAL TERMS OF LIMITED WARRANTY\***

*Fujitsu General America, Inc.* will furnish a replacement for any part of this product which fails in normal use and service within the applicable periods stated, in accordance with the terms of the limited warranty.

**Heat Exchanger**

- Factory Standard .....Ten (10) Years
- Stainless Steel/1-Phase & 3-Phase Models
- Commercial Application .....Twenty (20) Years
- Stainless Steel/1-Phase Models
- Residential Application.....Limited Lifetime

**\*For complete details of the Limited and Conditional Warranties, including applicable terms and conditions, contact your local contractor or the Manufacturer for a copy of the product warranty certificate.**

**Conditional Parts (Registration Required)**

- 1 Phase, Residential Applications .....Ten (10) Years

**Compressor**

- 1 Phase, Residential Applications.....Ten (10) Years
- 1 & 3 Phase, Commercial Applications .....Five (5) Years

**Parts**

- Commercial Applications .....One (1) Year



---

**Before proceeding with installation, refer to installation instructions packaged with each model, as well as complying with all Federal, State, Provincial, and Local codes, regulations, and practices.**

*"In keeping with its policy of continuous progress and product improvement, the right is reserved to make changes without notice."*