

**Submission Data: 48RLXFZ
Inverter Driven Heat Pump**

48,000 BTU Hybrid Flex Inverter

Job Name: _____

Date: _____

Location: _____

Approval: _____

Engineer: _____

Construction: _____

Submitted to: _____

Unit #: _____

Submitted by: _____

Drawing #: _____

Reference: _____

General Features

- Wired or wireless remote
- Apple catechin filter
- Ion deodorizing filter
- Auto louver: up/down
- Auto louver: 4-way
- Low ambient cooling
- Blue fin coating
- Standard Warranty: 5 years parts, 7 years compressor. Applies to systems purchased before June 1st 2015*
- Extended Warranty: 10 years parts, 10 years compressor. Systems that have been installed on or after June 1st 2015 by licensed contractors and the online Product Registration has been submitted.**
- Elite Contractor Extended Warranty: 12 years parts, 12 years compressor. Systems that have been installed on or after June 1st 2015 by contractors who have met requirements and have been approved for elite contractor status plus, the online Product Registration has been submitted.***

Model Information

Condenser.....	AOU48RLXFZ
Evaporator [^]	(ASU) / (ARU) / (AGU) / (AAU) 7,9,12,15,18,24 RLF
Connectable Indoor Units.....	2 - 8
Connectable BTU Capacity.....	39,000 – 62,000 BTU
Connectable Capacity.....	80 – 130%
Electrical	208/230V AC 1ph-60Hz
Available Voltage Range.....	187/264 VAC
Minimum Circuit Ampacity.....	26.5 A
Max Fuse Size.....	40 A
Starting Current.....	23.4 A
Current	
Cooling.....	23.4 A
Heating.....	21.4 A
Input Power	
Cooling.....	5.27 kW
Heating.....	4.83 kW

Capacity

Nominal Cooling.....	48,000 Btu/h
Nominal Heating.....	54,000 Btu/h

Compressor

Motor Output.....	2,700 W
Refrigerant.....	R410a
Pre-Charge Amount.....	7 lbs. 6 oz.
Oil.....	PVE

Fan Motor

Type: DC.....	Propeller x1
Motor Output.....	111 W
Airflow Rate	
Cooling.....	2,737 CFM (4,650 m ³ /h)
Heating.....	2,825 CFM (4,800 m ³ /h)

Heat Exchanger

Dimensions (condenser)	
(H x W x D) in. (mm).....	34-3/4 x 37-9/16 x 1-1/2 (882x955x38.1)
Fin Pitch.....	18 FPI
Rows x Stages.....	3 x 42
Pipe Type (Material).....	Grooved H-Pin (Copper)
Fin Type (Material).....	Corrugate (Aluminum)
Surface Treatment.....	Corrosion resistance (Blue Fin)



Operation Temperature Range

Cooling.....	23°F - 115°F (-5°C - 46°C)
Heating.....	5°F - 75°F (-15°C - 24°C)

Efficiency

SEER.....	17.0 (non-ducted) 15.8 (mix) 14.7 (ducted)
EER (cooling).....	9.25 Btu/hW (non-ducted) 8.97 Btu/hW (mix) 8.7 Btu/hW (ducted)
COP (heating).....	3.23 W/W (non-ducted) 3.19 W/W 3.15 W/W (ducted)
HSPF (heating).....	9.8 (non-ducted) 9.3 (mix) 9.5 (ducted)

Enclosure

Material.....	Painted galvanized steel
Color.....	Beige (10 YR 7.5/1.0 NN)

Sound Pressure Level

Cooling.....	56 dB(A)
Heating.....	58 dB(A)

Dimensions

H x W x D (condenser)	
Net in. (mm).....	36 x 38-1/4 x 14-5/8 (914x970x370)
Gross in. (mm).....	41-1/4 x 41-7/8 x 18-27/32 (1048x1064x479)

Connection Pipe

Liquid.....	3/8" (9.52 mm)
Gas.....	5/8" (15.88 mm)
Method (Liquid/Gas).....	Brazing
Pre-charge length (Total).....	n/a
Max length (Total).....	377 ft. (115m)
Max length (BP-IN).....	49 ft. (15m)
Min. length (Total).....	66 ft. (20m)
Max height difference between condenser and each indoor unit.....	98 ft. (30m)
Max height difference between indoor units.....	49 ft. (15m)

Weight

Net.....	216 lbs. (98kg)
Gross.....	234 lbs. (106 kg)

Accessories

UTY-DMMUM.....	Central remote control
UTY-XWZXZ3.....	Outdoor unit input / output connector
UTY-XWZXZ4.....	Outdoor unit base heater connector

Intertek® ETL Number

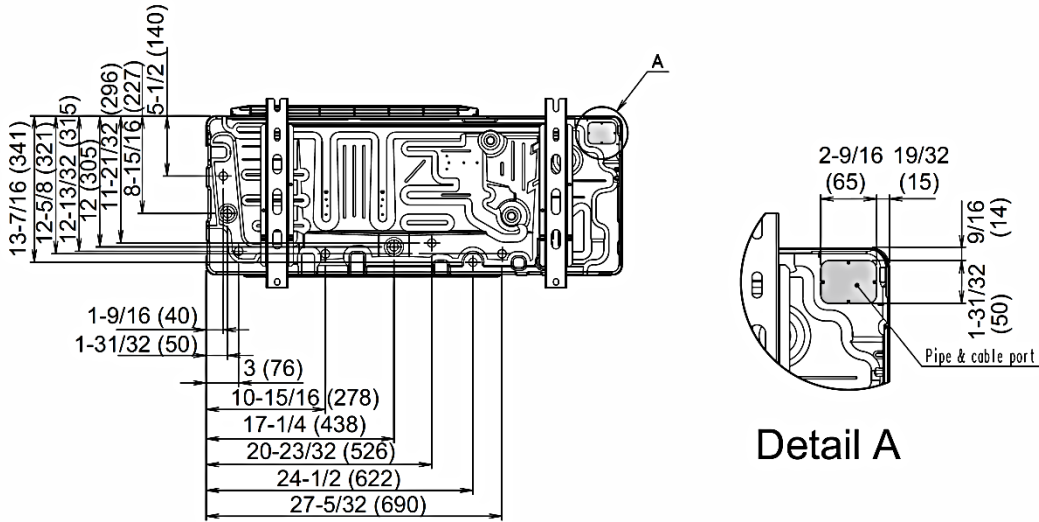
AOU48RLXFZ.....	91987
-----------------	-------

*Reference brochure for approved combinations.
Note: Specifications are based on the following conditions: Cooling: Indoor temperature of 80°F (26.7°C) DB/67°F (19.44°C) WB, and outdoor temperature of 95°F (35°C) DB/75°F (23.9°C) WB. Heating: Indoor temperature of 70°F (21.1°C) DB/59°F (15°C) WB, and outdoor temperature of 47°F (8.33°C) DB/43°F (6.11°C) WB. Pipe length: 24ft. 7in. (7.5m), Height difference: 0ft. (0m) (Outdoor unit – indoor unit)
Standard warranty / **10 year warranty / *12 year warranty



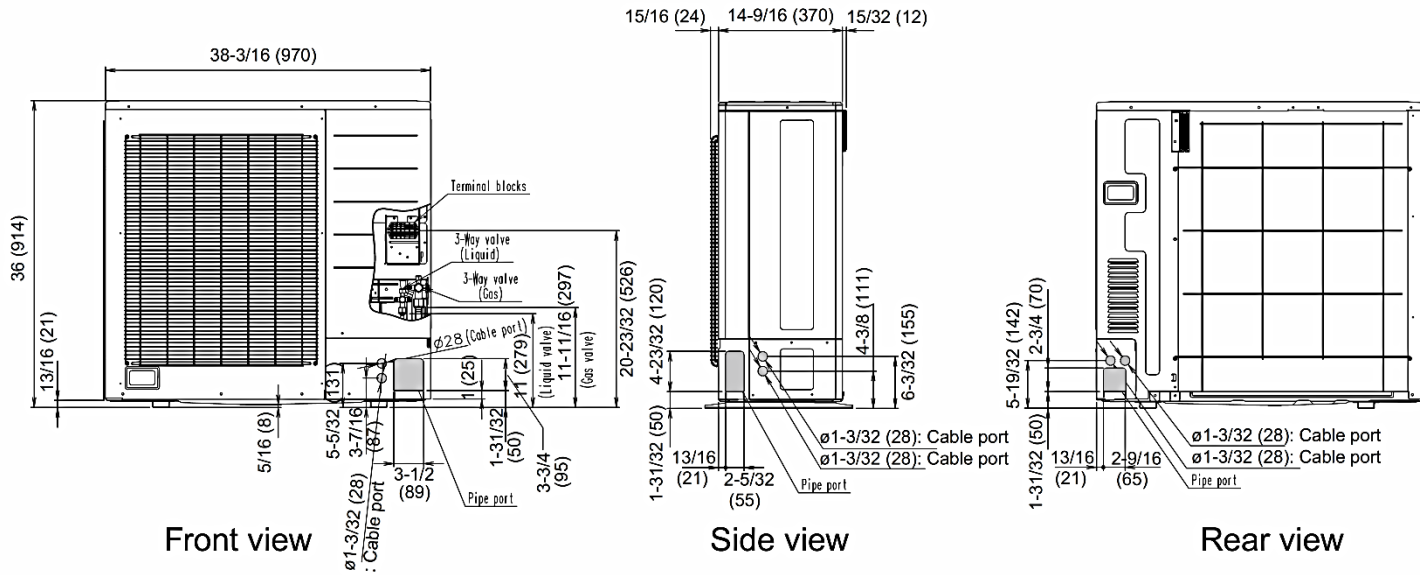
Dimensions:48RLXFZ

[Unit: in. (mm)]



Bottom view

Detail A



Front view

Side view

Rear view