

**Inverter Driven Heat Pump**

**12,000 BTU Single Zone Slim Ducted**

Job Name \_\_\_\_\_  
 Location \_\_\_\_\_  
 Engineer \_\_\_\_\_  
 Submitted To \_\_\_\_\_  
 Submitted By \_\_\_\_\_  
 Reference \_\_\_\_\_

Date \_\_\_\_\_  
 Approval \_\_\_\_\_  
 Construction \_\_\_\_\_  
 Unit No \_\_\_\_\_  
 Drawing No \_\_\_\_\_

**PRODUCT FEATURES**

- Auto Changeover
- 24 hr./Weekly Timer
- Built in condensate Pump
- Auto Restart
- Economy Mode
- Auto Fan Mode
- Daisy Chain Compatible



**MODEL NUMBERS**

Indoor Unit	ARU12RLF
Outdoor Unit	AOU12RLFC
System	12RLFC

**EFFICIENCIES**

SEER	20
EER	12.8
HSPF	11.5
COP	3.66
	12.5

**OUTDOOR TEMPERATURE OPERATION RANGE**

Cooling	*F(*C)	14 to 115 (-10 to 46)
Heating		-5 to 75 (-21 to 24)

**CAPACITIES**

Cooling	Rated	BTU/hW	12,000
	Min.-Max.		3,100-13,600
Heating	Rated		16,000
	Min.-Max.		3,100-19,400

**LINESET REQUIREMENTS**

Connection Method	Flare		
Liquid	in (mm)		Ø1/4 (Ø6.35)
Gas			Ø3/8 (Ø9.52)
Pre-Charge Length			49 (15)
Minimum Length	ft (m)		10 (3)
Maximum Length			66 (20)
Max. Height Diff.			49 (15)

**INDOOR DIMENSIONS & WEIGHT**

Net (H x W x D)	in	7-25/32 x 27-9/16 x 24-13/32
	mm	198 x 700 x 620
Gross (H x W x D)	in	10-7/8 x 38-1/8 x 30-13/32
	mm	276 x 968 x 772
Net Weight	lb (kg)	41 (19)
Gross Weight		58 (26)

**OUTDOOR DIMENSIONS & WEIGHT**

Net (H x W x D)	in	24 - 1/2 x 31 - 3/32 x 11 - 11/32
	mm	620 x 790 x 290
Gross (H x W x D)	in	28 - 1/16 x 37-7/32 x 15 - 9/16
	mm	713 x 945 x 395
Net Weight	lb (kg)	84 (38)
Gross Weight		93 (42)

**Warranty Information**



7 Year Compressor, 5 Year Parts out-of-the-box Warranty



10 Year Compressor, 10 Year Parts Warranty when registered within 60 days of installation in a residence



12 Year Compressor, 12 Year Parts Warranty when registered within 60 days of installation in a residence, and installed by a Fujitsu Elite contractor

**ACCESSORIES**

UTY-TTRX	3rd Party Thermostat Converter
UTD-ECS5A	Slim Duct Connector Kit
UTY-LRHUM	Wireless Remote Receiver Kit
UTY-RVNUM	Wired Remote w/backlight
UTY-RSNUM	Simple Remote
UTY-XSZX	Remote Sensor
FJ-RC-WIFI-1NA	Intesis Wired WiFi Module
FJ-IR-WIFI-1NA	Intesis IR WiFi Module
UTY-TFNXZ2	WiFi Interface Module
UTD-GXSA-W	Auto Louver Grill Kit



This system combination is Energy Star qualified



Indoor Unit ETL#: 3170288  
 Outdoor Unit ETL#: 91987

Due to continuous product improvements, specifications are subject to change without notice. Please log in to the Fujitsu Portal for the most up-to-date documentation <https://portal.fujitsugeneral.com>

**Inverter Driven Heat Pump** **12,000 BTU Single Zone Slim Ducted**

**FAN DATA**

Indoor Unit Airflow Rate	Cooling	High	CFM (m3/h)	383 (650)
		Medium		353 (600)
		Low		324 (550)
		Quiet		283 (480)
	Heating	High		383 (650)
		Medium		353 (600)
		Low		324 (550)
		Quiet		283 (480)
Outdoor Unit Airflow Rate	Cooling		1206 (2050)	
	Heating		1083 (1840)	

**SOUND PRESSURE**

Indoor Unit	Cooling	High	dB (A)	29
		Medium		28
		Low		27
		Quiet		26
	Heating	High		29
		Medium		28
		Low		27
		Quiet		24
Outdoor Unit	Cooling		49	
	Heating		50	

**REFRIGERANT**

Type	R410A		
Charge	lb oz	2lbs.10oz.	
	kg	1	
Oil Type	FREOL α68SZ		

**ELECTRICAL SPECIFICATIONS**

Voltage/Frequency/Phase				208/230V~60HZ
Voltage Range				187-253V~60HZ
Current	Cooling	Rated	A	4.4
	Heating	Rated		6
Maximum Operating Current	Cooling			9.4
	Heating			10.9
Starting Current				6.7
MCA				13.4
Maximum Circuit Breaker				15
Input Power	Cooling	Rated	kW	0.94
		Max		1.45
	Heating	Rated		1.3
		Max		2.00
Power Factor	Cooling	% 94		
	Heating	% 94		

**OTHER**

Moisture Removal	pints/h (L/h)	2.7 (1.3)	
Energy Star		Yes	
Drain hose	Material	Hard PVC	
Size	in (mm)	Ø 3/4 (Ø 20.7) (I.D.) Ø 1-1/16 (Ø 26.6) (O.D.)	
Operation Range	Cooling	°F (°C)	64 to 90 (18 to 32)
		%RH	80 or less
	Heating	°F (°C)	60 to 88 (16 to 30)
Static Pressure in W.C.		0 ~ 0.36	

**Auto Louver Grill Data (SOLD SEPARATELY):**



Model name	UTD-GXSA-W		UTD-GXSB-W	
Power Supply	Connecting with Control box of indoor unit			
Attachment of Auto Louver	Louver attached by screws to the flange or rectangular duct			
Extension Square Duct Limit	in. (mm)	39-3/8 (1.0) (Max. duct length between indoor unit and Grille)		
Net Dimension (H x W x D)	in. (mm)	7-1/16x26-7/8x(3-5/16+3/8) [180x683x(84+9)]	7-1/16x34-3/4x(3-5/16+3/8) [180x883x(84+9)]	
Weight	Net	lbs. (kg)	4.4 (2.0)	5.6 (2.5)
	Gross		6.7 (3.0)	7.8 (3.5)
Color	White			
Louver Motor	Stepping Motor			
Material	Flame retardant ABS			
Accessories	Attachment Frame			
Operation range	Cooling	°F (°C)	64 to 90 (18 to 32)	
		% RH	80% or less	
	Heating	°F (°C)	60 to 88 (16 to 30)	

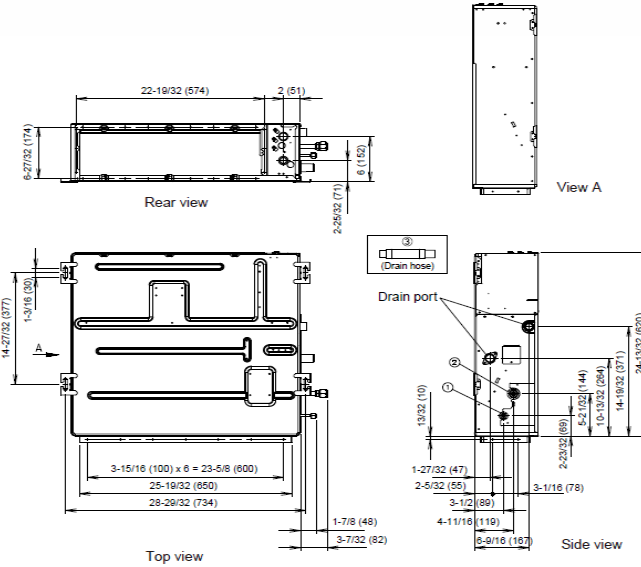
The Fujitsu logo is a worldwide trademark of Fujitsu General Limited. The Halcyon logo and name is a worldwide trademark of Fujitsu General Limited and is a registered trademark in Japan, the USA and other countries or areas. Copyright 2018 Fujitsu General America, Inc. Fujitsu's products are subject to continuous improvements. Fujitsu reserves the right to modify product design, specifications and information in this brochure without notice and without incurring any obligations.

Note: Specifications are based on the following conditions:  
 Cooling: Indoor temperature of 80°F (26.7°C) DB/67°F (19.4°C) WB, and outdoor temperature of 95°F (35°C) DB/75°F (23.9°C) WB. Heating: Indoor temperature of 70°F (21.1°C) DB/60°F (15.6°C) WB, and outdoor temperature of 47°F (8.3°C) DB/43°F (6.1°C) WB. Pipe length: 25ft. (7.5m), Height difference: 0ft. (0m) (Outdoor unit - indoor unit).

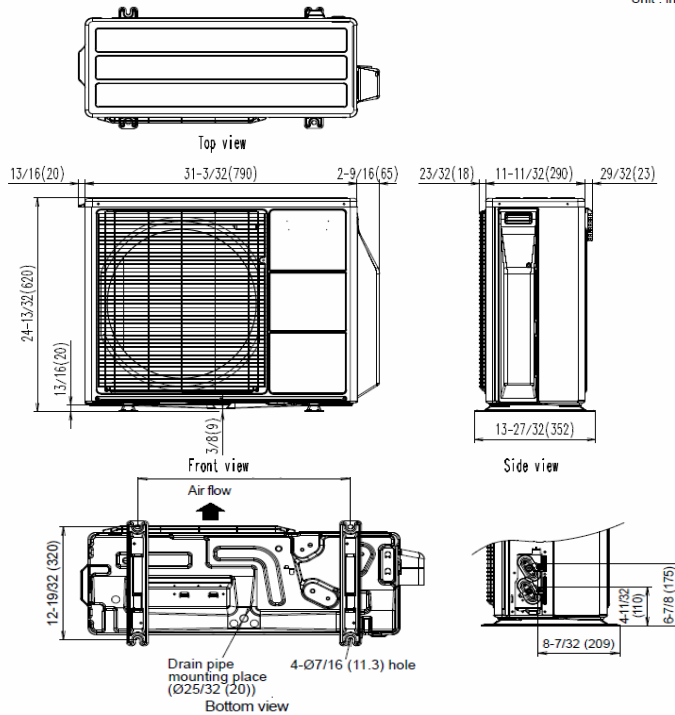
Inverter Driven Heat Pump 12,000 BTU Single Zone Slim Ducted System

DIMENSIONS

Unit : in. (mm)



Unit : in. (mm)  
Unit : in. (mm)



The Fujitsu logo is a worldwide trademark of Fujitsu General Limited. The Halcyon logo and name is a worldwide trademark of Fujitsu General Limited and is a registered trademark in Japan, the USA and other countries or areas. Copyright 2018 Fujitsu General America, Inc. Fujitsu's products are subject to continuous improvements. Fujitsu reserves the right to modify product design, specifications and information in this brochure without notice and without incurring any obligations.

Note: Specifications are based on the following conditions:  
Cooling: Indoor temperature of 80°F (26.7°C) DB/67°F (19.4°C) WB, and outdoor temperature of 95°F (35°C) DB/75°F (23.9°C) WB. Heating: Indoor temperature of 70°F (21.1°C) DB/60°F (15.6°C) WB, and outdoor temperature of 47°F (8.3°C) DB/43°F (6.1°C) WB. Pipe length: 25ft. (7.5m), Height difference: 0ft. (0m) (Outdoor unit - indoor unit).