

Inverter Driven Heat Pump

12,000 BTU Single Zone Compact Wall

Job Name _____
 Location _____
 Engineer _____
 Submitted To _____
 Submitted By _____
 Reference _____

Date _____
 Approval _____
 Construction _____
 Unit No _____
 Drawing No _____

PRODUCT FEATURES

- Auto Changeover
- 24 hr. Timer
- Auto Louver: Up/Down
- Minimum Heat Mode
- Wireless Remote control
- Auto Restart
- Economy Mode
- Auto Fan Mode



MODEL NUMBERS

Indoor Unit	ASU12RLF1
Outdoor Unit	AOU12RLF1
System	12RLF1

EFFICIENCIES

SEER	22.0
EER	12.5
HSPF	11.0
COP	3.66
	12.5

OUTDOOR TEMPERATURE OPERATION RANGE

Cooling	*F(°C)	14 to 115(-10 to 46)
Heating		5 to 75(-15to 24)

CAPACITIES

Cooling	Rated	BTU/hW	12,000
	Min.-Max.		3100-13300
Heating	Rated		16,000
	Min.-Max.		3100-19100

LINESET REQUIREMENTS

Connection Method	Flare		
Liquid	in (mm)	Ø1/4(Ø6.35)	
Gas		Ø3/8(Ø9.52)	
Pre-Charge Length		49 (15)	
Minimum Length	ft (m)	10 (3)	
Maximum Length		66 (20)	
Max. Height Diff.		49 (15)	

INDOOR DIMENSIONS & WEIGHT

Net (H x W x D)	in	268 x 840 x 203
	mm	10-9/16 x 33-1/16 x 8
Gross (H x W x D)	in	270 x 884 x 336
	mm	10-5/8 x 34-13/16 x 13-1/4
Net Weight	lb (kg)	19(8.5)
Gross Weight		24(10.5)

OUTDOOR DIMENSIONS & WEIGHT

Net (H x W x D)	in	21-1/4×26×11-7/16
	mm	540×660×290
Gross (H x W x D)	in	24-1/16×31-3/8×15-13/16
	mm	611×797×401
Net Weight	lb (kg)	80(36)
Gross Weight		86(39)

Warranty Information



7 Year Compressor, 5 Year Parts out-of-the-box Warranty



10 Year Compressor, 10 Year Parts Warranty when registered within 60 days of installation in a residence



12 Year Compressor, 12 Year Parts Warranty when registered within 60 days of installation in a residence, and installed by a Fujitsu Elite contractor

ACCESSORIES

UTY-TTRX	3rd Party Thermostat Converter
UTY-XCBXZ2	Interface Kit
UTY-RNNUM	Wired Remote
UTY-RVNUM	Wired Remote w/backlight
UTY-RSNUM	Simple Remote
UTY-XWZXZ5	Dry Contact Wire Kit
FJ-RC-WIFI-1NA	Intesis Wired WiFi Module
FJ-IR-WIFI-1NA	Intesis IR WiFi Module



This system combination is Energy Star qualified



Indoor Unit ETL#: 3170288
 Outdoor Unit ETL#: 91987

Due to continuous product improvements, specifications are subject to change without notice. Please log in to the Fujitsu Portal for the most up-to-date documentation <https://portal.fujitsugeneral.com>

Inverter Driven Heat Pump 12,000 BTU Single Zone Compact Wall Mounted

FAN DATA

Indoor Unit Airflow Rate	Cooling	High	CFM (m3/h)	441(750)
		Medium		376(640)
		Low		282(480)
		Quiet		182(310)
	Heating	High	441(750)	
		Medium	376(640)	
		Low	306(520)	
		Quiet	194(330)	
Outdoor Unit Airflow Rate	Cooling		1036(1760)	
	Heating		889(1510)	

SOUND PRESSURE

Indoor Unit	Cooling	High	dB (A)	43
		Medium		40
		Low		32
		Quiet		21
	Heating	High	43	
		Medium	38	
		Low	33	
		Quiet	22	
Outdoor Unit	Cooling		49	
	Heating		49	

REFRIGERANT

Type	R410A		
Charge	lb oz	2lb.5oz.	
	kg	1	
Oil Type	POE (RB68)		

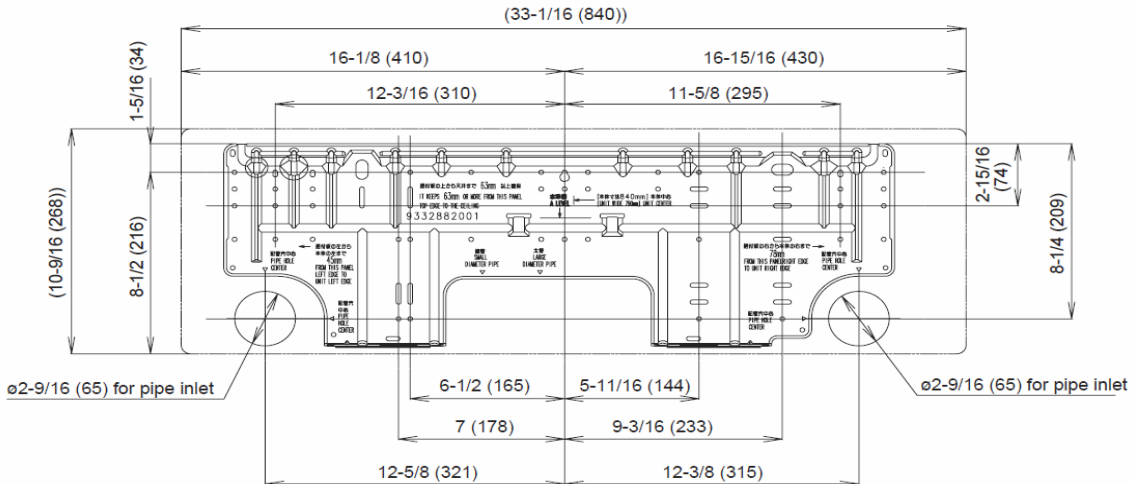
ELECTRICAL SPECIFICATIONS

Voltage/Frequency/Phase				208/230V~60HZ
Voltage Range				187-253V~60HZ
Current	Cooling	Rated	A	4.4
	Heating	Rated		5.9
Maximum Operating Current		Cooling		6.5
		Heating		9
Starting Current				5.9
MCA				12
Maximum Circuit Breaker				20
Input Power	Cooling	Rated	kW	0.96
		Min.-Max.		0.25 - 1.40
Power Factor	Cooling	Rated	%	1.28
		Min.-Max.		0.25 - 1.99
Heating	Cooling			95
	Heating			94

OTHER

Moisture Removal	pints/h (L/h)	1.8(3.8)
Energy Star		YES
Drain hose	Material	PP+LLDP
Size	in (mm)	Ø 9/16 (Ø 13.8) (I.D.) Ø 5/8 to Ø 11/16 (Ø 15.8 to Ø 16.7) (O.D.)
	Operation Range	
Cooling	°F (°C)	64 to 90 (18 to 32)
	%RH	80 or less
	Heating	°F (°C)

Wall Bracket Data:



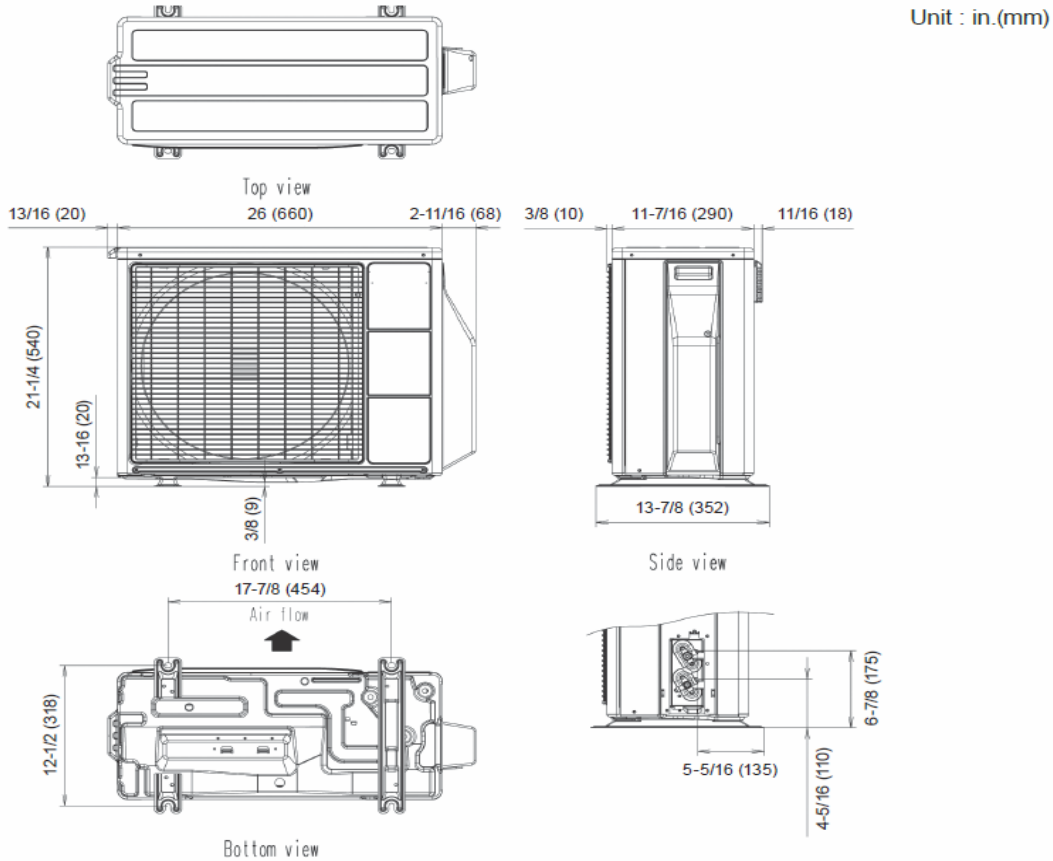
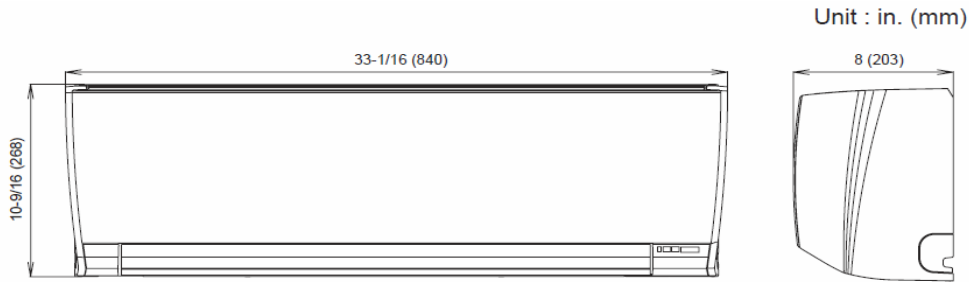
The Fujitsu logo is a worldwide trademark of Fujitsu General Limited. The Halcyon logo and name is a worldwide trademark of Fujitsu General Limited and is a registered trademark in Japan, the USA and other countries or areas. Copyright 2018 Fujitsu General America, Inc. Fujitsu's products are subject to continuous improvements. Fujitsu reserves the right to modify product design, specifications and information in this brochure without notice and without incurring any obligations.

Note: Specifications are based on the following conditions:
 Cooling: Indoor temperature of 80°F (26.7°C) DB/67°F (19.4°C) WB, and outdoor temperature of 95°F (35°C) DB/75°F (23.9°C) WB. Heating: Indoor temperature of 70°F (21.1°C) DB/60°F (15.6°C) WB, and outdoor temperature of 47°F (8.3°C) DB/43°F (6.1°C) WB. Pipe length: 25ft. (7.5m), Height difference: 0ft. (0m) (Outdoor unit - indoor unit).

Inverter Driven Heat Pump 12,000 BTU Single Zone Compact Wall Mounted

DIMENSIONS

Units: In. (mm)



The Fujitsu logo is a worldwide trademark of Fujitsu General Limited. The Halcyon logo and name is a worldwide trademark of Fujitsu General Limited and is a registered trademark in Japan, the USA and other countries or areas. Copyright 2018 Fujitsu General America, Inc. Fujitsu's products are subject to continuous improvements. Fujitsu reserves the right to modify product design, specifications and information in this brochure without notice and without incurring any obligations.

Note: Specifications are based on the following conditions:
 Cooling: Indoor temperature of 80°F (26.7°C) DB/67°F (19.4°C) WB, and outdoor temperature of 95°F (35°C) DB/75°F (23.9°C) WB. Heating: Indoor temperature of 70°F (21.1°C) DB/60°F (15.6°C) WB, and outdoor temperature of 47°F (8.3°C) DB/43°F (6.1°C) WB. Pipe length: 25ft. (7.5m), Height difference: 0ft. (0m) (Outdoor unit - indoor unit).