

Inverter Driven Heat Pump

15,000 BTU Single Zone High SEER Wall Mounted System

Job Name _____
 Location _____
 Engineer _____
 Submitted To _____
 Submitted By _____
 Reference _____

Date _____
 Approval _____
 Construction _____
 Unit No _____
 Drawing No _____

PRODUCT FEATURES

- Auto Changeover
- Weekly & 24 hr. Timer
- Auto Louver: 4 way
- Minimum Heat Mode
- Built in WiFi
- Auto Restart
- Economy Mode
- Energy Saving Program(ESP)
- Wireless Remote control
- Outdoor Unit Low Noise Schedule



MODEL NUMBERS

Indoor Unit	ASU15RLS3Y
Outdoor Unit	AOU15RLS3
System	15RLS3Y

EFFICIENCIES

SEER	25.3	
EER	13.9	
HSPF	13.4	
COP	kW/kW	4.59
	Btu/hW	15.70

OUTDOOR TEMPERATURE OPERATION RANGE

Cooling	*F(°C)	14 to 115 (-10 to 46)
Heating		-5 to 75 (-21 to 24)

CAPACITIES

Cooling	Rated	BTU/hW	14,500
	Min.-Max.		3100-18400
Heating	Rated		18,000
	Min.-Max.		3100-23900

LINESET REQUIREMENTS

Connection Method		Flare
Liquid	in (mm)	Ø 1/4 (Ø 6.35)
Gas		Ø 1/2 (Ø 12.7)
Pre-Charge Length	ft (m)	49 (15)
Minimum Length		10 (3)
Maximum Length		66 (20)
Max. Height Diff.		49 (15)

INDOOR DIMENSIONS & WEIGHT

Net (H x W x D)	in	11-5/8 x 37 x 10-5/8
	mm	295 x 940 x 270
Gross (H x W x D)	in	14-3/8 x 40-15/16 x 14
	mm	365 x 1040 x 355
Net Weight	lb (kg)	31 (14)
Gross Weight		37 (17)

OUTDOOR DIMENSIONS & WEIGHT

Net (H x W x D)	in	24-1/2 x 31-1/8 x 11-7/16
	mm	620 x 790 x 290
Gross (H x W x D)	in	28 - 1/16 x 37-3/16 x 15 - 9/16
	mm	713 x 945 x 395
Net Weight	lb (kg)	86
Gross Weight		39

Warranty Information



7 Year Compressor, 5 Year Parts out-of-the-box Warranty



10 Year Compressor, 10 Year Parts Warranty when registered within 60 days of installation in a residence



12 Year Compressor, 12 Year Parts Warranty when registered within 60 days of installation in a residence, and installed by a Fujitsu Elite contractor

ACCESSORIES

UTY-TTRX	3rd Party Thermostat Converter
UTY-TWBXF1	Interface Kit
UTY-RNNUM	Wired Remote
UTY-RVNUM	Wired Remote w/backlight
UTY-RSNUM	Simple Remote
UTY-XWZXZ5	Dry Contact Wire Kit



This system combination is Energy Star qualified



+App available in Apple® App Store and Google® Play Store.



Due to continuous product improvements, specifications are subject to change without notice. Please log in to the Fujitsu Portal for the most up-to-date documentation <https://portal.fujitsugeneral.com>



Indoor Unit ETL#: 3170288
 Outdoor Unit ETL#: 91987



SUBMITTAL 15RLS3Y

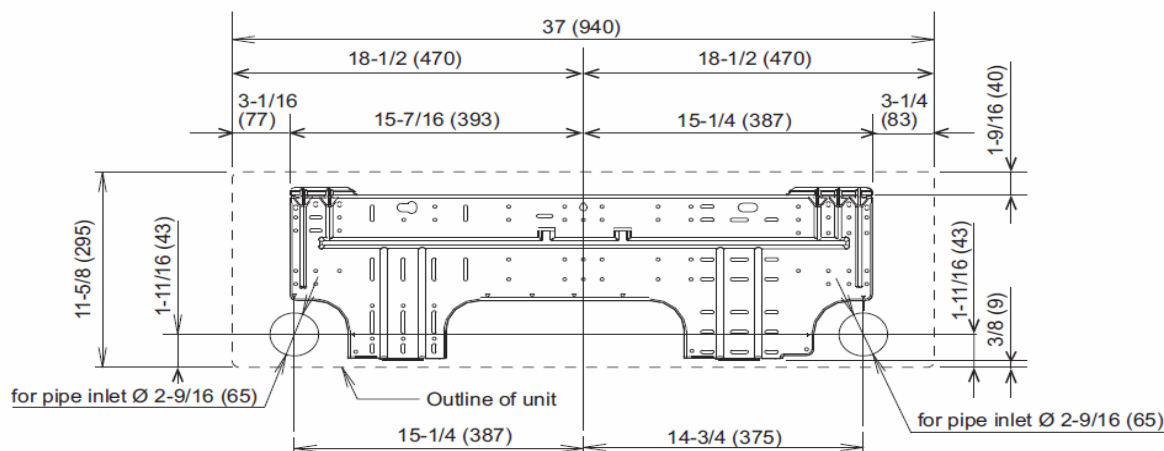


Inverter Driven Heat Pump

15,000 BTU Single Zone High SEER Wall Mounted System

FAN DATA				ELECTRICAL SPECIFICATIONS						
Indoor Unit Airflow Rate	Cooling	High	CFM (m3/h)	547 (930)		Voltage/Frequency/Phase		208/230V-60HZ		
		Medium		459 (780)		Voltage Range		187-253V-60HZ		
		Low		371 (630)		Current	Cooling	Rated	A	4.8
		Quiet		259 (440)			Heating	Rated		5.2
	Heating	High	CFM (m3/h)	547 (930)		Maximum Operating Current		Cooling	9.9	
		Medium		459 (780)		Heating		13.9		
		Low		371 (630)		Starting Current		5.2		
		Quiet		294 (500)		MCA		17.2		
Outdoor Unit Airflow Rate		Cooling	1,206 (2,050)		Maximum Circuit Breaker		20			
		Heating	1,082 (1,840)		Input Power	Cooling	Rated	kW	1.04	
						Min.-Max.	0.18-1.56			
					Heating	Rated	1.15			
					Min.-Max.	0.17-2.19				
					Power Factor	Cooling	%	94		
					Heating			96		
SOUND PRESSURE				OTHER						
Indoor Unit	Cooling	High	dB (A)	45		Moisture Removal		pints/h (L/h)	1.9(4)	
		Medium		40		Energy Star		Yes		
		Low		34		Drain hose		Material	PP+LLDP	
		Quiet		26		Size	in (mm)	Ø 9/16 (Ø 13.8) (I.D.) Ø 5/8 to Ø 11/16 (Ø 15.8 to Ø 16.7) (O.D.)		
	High	45		Operation Range	Cooling			°F (°C)	64 to 90 (18 to 32)	
	Heating	Medium	39		%RH	80 or less				
		Low	33		Heating	°F (°C)	60 to 88 (16 to 30)			
		Quiet	27							
Outdoor Unit		Cooling	49							
		Heating	50							
REFRIGERANT										
Type		R410A								
Charge	lb oz	3lb 1 oz								
	kg	1,400								
Oil Type		POE (RB68)								

Wall Bracket Data:



The Fujitsu logo is a worldwide trademark of Fujitsu General Limited. The Halcyon logo and name is a worldwide trademark of Fujitsu General Limited and is a registered trademark in Japan, the USA and other countries or areas. Copyright 2018 Fujitsu General America, Inc. Fujitsu's products are subject to continuous improvements. Fujitsu reserves the right to modify product design, specifications and information in this brochure without notice and without incurring any obligations.

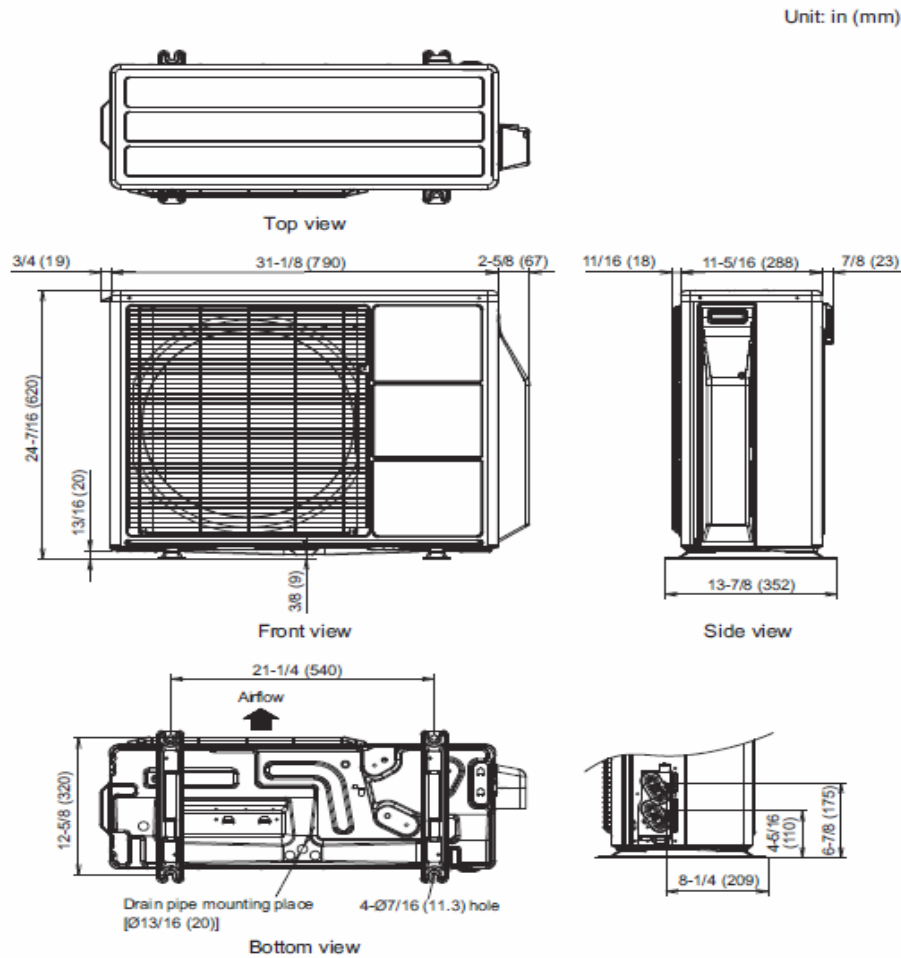
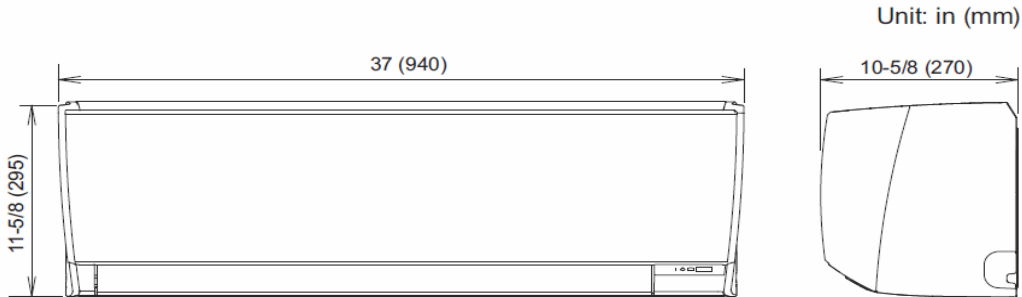
Note: Specifications are based on the following conditions:
 Cooling: Indoor temperature of 80°F (26.7°C) DB/67°F (19.4°C) WB, and outdoor temperature of 95°F (35°C) DB/75°F (23.9°C) WB. Heating: Indoor temperature of 70°F (21.1°C) DB/60°F (15.6°C) WB, and outdoor temperature of 47°F (8.3°C) DB/43°F (6.1°C) WB. Pipe length: 25ft. (7.5m), Height difference: 0ft. (0m) (Outdoor unit - indoor unit).

Inverter Driven Heat Pump

15,000 BTU Single Zone High SEER Wall Mounted System

DIMENSIONS

Units: In. (mm)



The Fujitsu logo is a worldwide trademark of Fujitsu General Limited. The Halcyon logo and name is a worldwide trademark of Fujitsu General Limited and is a registered trademark in Japan, the USA and other countries or areas. Copyright 2018 Fujitsu General America, Inc. Fujitsu's products are subject to continuous improvements. Fujitsu reserves the right to modify product design, specifications and information in this brochure without notice and without incurring any obligations.

Note: Specifications are based on the following conditions:
 Cooling: Indoor temperature of 80°F (26.7°C) DB/67°F (19.4°C) WB, and outdoor temperature of 95°F (35°C) DB/75°F (23.9°C) WB. Heating: Indoor temperature of 70°F (21.1°C) DB/60°F (15.6°C) WB, and outdoor temperature of 47°F (8.3°C) DB/43°F (6.1°C) WB. Pipe length: 25ft. (7.5m), Height difference: 0ft. (0m) (Outdoor unit - indoor unit).