

Inverter Driven Heat Pump

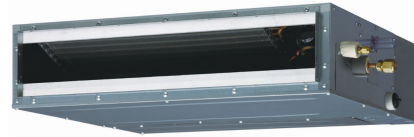
18,000 BTU Single Zone Slim Ducted

Job Name _____
 Location _____
 Engineer _____
 Submitted To _____
 Submitted By _____
 Reference _____

Date _____
 Approval _____
 Construction _____
 Unit No _____
 Drawing No _____

PRODUCT FEATURES

- Auto Changeover
- 24 hr./Weekly Timer
- Built in condensate Pump
- Auto Restart
- Economy Mode
- Auto Fan Mode
- Daisy Chain Compatible



MODEL NUMBERS

Indoor Unit	ARU18RLF
Outdoor Unit	AOU18RLFC
System	18RLFC

EFFICIENCIES

SEER	19.7
EER	12.0
HSPF	10.5
COP	3.50
	Btu/hW
	12.3

OUTDOOR TEMPERATURE OPERATION RANGE

Cooling	*F(*C)	14 to 115 (-10 to 46)
Heating		-5 to 75 (-21 to 24)

CAPACITIES

Cooling	Rated	BTU/hW	18,000
	Min.-Max.		3,100-20,100
Heating	Rated		21,600
	Min.-Max.		3,100-25,600

LINESET REQUIREMENTS

Connection Method	Flare		
Liquid	in (mm)		Ø1/4 (Ø6.35)
Gas			Ø 1/2 (Ø 12.7)
Pre-Charge Length			49 (15)
Minimum Length	ft (m)		10 (3)
Maximum Length			66 (20)
Max. Height Diff.			49 (15)

INDOOR DIMENSIONS & WEIGHT

Net (H x W x D)	in	7-13/16 x 35-7/16 x 24-7/16
	mm	198 x 900 x 620
Gross (H x W x D)	in	10-13/16 x 45-1/16 x 30-3/8
	mm	274 x 1145 x 772
Net Weight	lb (kg)	49(22)
Gross Weight		60(27)

OUTDOOR DIMENSIONS & WEIGHT

Net (H x W x D)	in	24 - 1/2 x 31 - 3/32 x 11 - 11/32
	mm	830 x 900 x 330
Gross (H x W x D)	in	28 - 1/16 x 37-7/32 x 15 - 9/16
	mm	713 x 945 x 395
Net Weight	lb (kg)	86 (39)
Gross Weight		95 (43)

Warranty Information



7 Year Compressor, 5 Year Parts out-of-the-box Warranty



10 Year Compressor, 10 Year Parts Warranty when registered within 60 days of installation in a residence



12 Year Compressor, 12 Year Parts Warranty when registered within 60 days of installation in a residence, and installed by a Fujitsu Elite contractor

ACCESSORIES

UTY-TTRX	3rd Party Thermostat Converter
UTD-ECS5A	Slim Duct Connector Kit
UTY-LRHUM	Wireless Remote Receiver Kit
UTY-RVNUM	Wired Remote w/backlight
UTY-RSNUM	Simple Remote
UTY-XSZX	Remote Sensor
FJ-RC-WIFI-1NA	Intesis Wired WiFi Module
FJ-IR-WIFI-1NA	Intesis IR WiFi Module
UTY-TFNXZ2	WiFi Interface Module
UTD-GXSB-W	Auto Louver Grill Kit



Indoor Unit ETL#: 3170288
 Outdoor Unit ETL#: 91987

Due to continuous product improvements, specifications are subject to change without notice. Please log in to the Fujitsu Portal for the most up-to-date documentation <https://portal.fujitsugeneral.com>

Inverter Driven Heat Pump 18,000 BTU Single Zone Slim Ducted

FAN DATA

Indoor Unit Airflow Rate	Cooling	High	CFM (m3/h)	554 (940)
		Medium		518 (880)
		Low		483 (820)
		Quiet		442 (750)
	Heating	High		554 (940)
		Medium		518 (880)
		Low		483 (820)
		Quiet		442 (750)
Outdoor Unit Airflow Rate	Cooling	1206 (2050)		
	Heating	1407 (2355)		

SOUND PRESSURE

Indoor Unit	Cooling	High	dB (A)	32
		Medium		30
		Low		29
		Quiet		27
	Heating	High		32
		Medium		30
		Low		29
		Quiet		27
Outdoor Unit	Cooling	52		
	Heating	55		

REFRIGERANT

Type	R410A		
Charge	lb oz	2lbs.14oz.	
	kg	1	
Oil Type	FREOL α68SZ		

ELECTRICAL SPECIFICATIONS

Voltage/Frequency/Phase				208/230V~60HZ
Voltage Range				187-253V~60HZ
Current	Cooling	Rated	A	6.6
	Heating	Rated		7.3
Maximum Operating Current	Cooling			10
	Heating			14
Starting Current				7.7
MCA				17.3
Maximum Circuit Breaker				20
Input Power	Cooling	Rated	kW	1.5
		Max		2.15
	Heating	Rated		1.67
		Max		2.60
Power Factor	Cooling	% 98		
	Heating	% 99		

OTHER

Moisture Removal	pints/h (L/h)	4.2 (2.0)	
Energy Star		No	
Drain hose	Material	Hard PVC	
Size	in (mm)	Ø 3/4 (Ø 20.7) (I.D.) Ø 1-1/16 (Ø 26.6) (O.D.)	
Operation Range	Cooling	°F (°C)	64 to 90 (18 to 32)
		%RH	80 or less
	Heating	°F (°C)	60 to 88 (16 to 30)
Static Pressure in W.C.		0 ~ 0.36	

Auto Louver Grill Data (SOLD SEPARATELY):



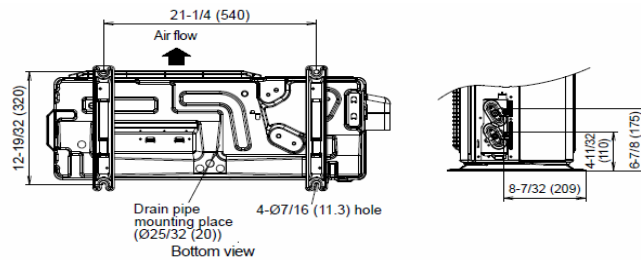
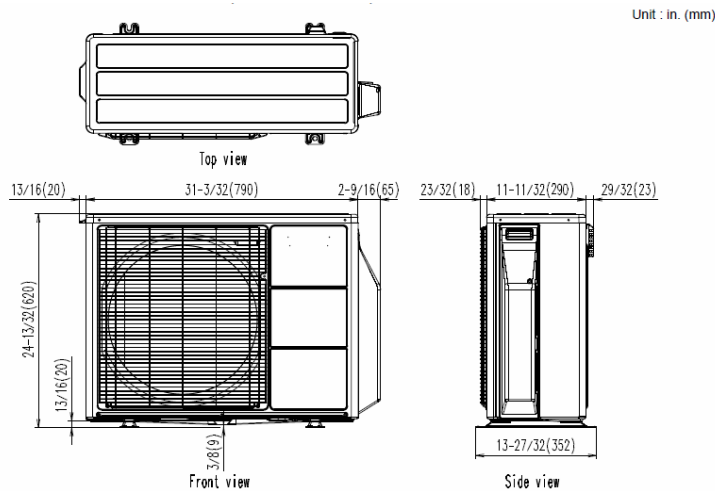
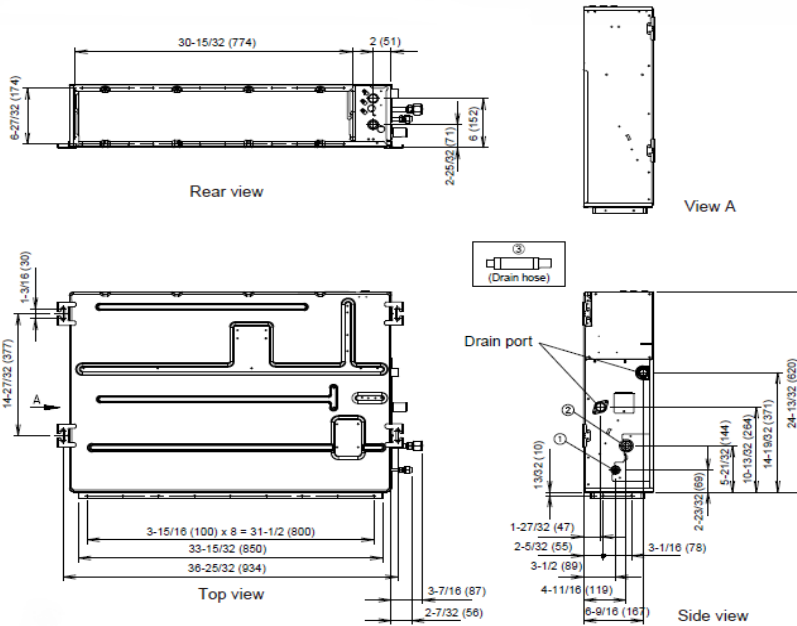
Model name	UTD-GXSA-W		UTD-GXSB-W	
Power Supply	Connecting with Control box of indoor unit			
Attachment of Auto Louver	Louver attached by screws to the flange or rectangular duct			
Extension Square Duct Limit	in. (mm)	39-3/8 (1.0) (Max. duct length between indoor unit and Grille)		
Net Dimension (H x W x D)	in. (mm)	7-1/16x26-7/8x(3-5/16+3/8) [180x683x(84+9)]	7-1/16x34-3/4x(3-5/16+3/8) [180x883x(84+9)]	
Weight	Net	lbs. (kg)	4.4 (2.0)	5.6 (2.5)
	Gross		6.7 (3.0)	7.8 (3.5)
Color	White			
Louver Motor	Stepping Motor			
Material	Flame retardant ABS			
Accessories	Attachment Frame			
Operation range	Cooling	°F (°C)	64 to 90 (18 to 32)	
		% RH	80% or less	
	Heating	°F (°C)	60 to 88 (16 to 30)	

The Fujitsu logo is a worldwide trademark of Fujitsu General Limited. The Halcyon logo and name is a worldwide trademark of Fujitsu General Limited and is a registered trademark in Japan, the USA and other countries or areas. Copyright 2018 Fujitsu General America, Inc. Fujitsu's products are subject to continuous improvements. Fujitsu reserves the right to modify product design, specifications and information in this brochure without notice and without incurring any obligations.

Note: Specifications are based on the following conditions:
 Cooling: Indoor temperature of 80°F (26.7°C) DB/67°F (19.4°C) WB, and outdoor temperature of 95°F (35°C) DB/75°F (23.9°C) WB. Heating: Indoor temperature of 70°F (21.1°C) DB/60°F (15.6°C) WB, and outdoor temperature of 47°F (8.3°C) DB/43°F (6.1°C) WB. Pipe length: 25ft. (7.5m), Height difference: 0ft. (0m) (Outdoor unit - indoor unit).

Inverter Driven Heat Pump 18,000 BTU Single Zone Slim Ducted System

DIMENSIONS



Unit : in. (mm)

The Fujitsu logo is a worldwide trademark of Fujitsu General Limited. The Halcyon logo and name is a worldwide trademark of Fujitsu General Limited and is a registered trademark in Japan, the USA and other countries or areas. Copyright 2018 Fujitsu General America, Inc. Fujitsu's products are subject to continuous improvements. Fujitsu reserves the right to modify product design, specifications and information in this brochure without notice and without incurring any obligations.

Note: Specifications are based on the following conditions:
 Cooling: Indoor temperature of 80°F (26.7°C) DB/67°F (19.4°C) WB, and outdoor temperature of 95°F (35°C) DB/75°F (23.9°C) WB. Heating: Indoor temperature of 70°F (21.1°C) DB/60°F (15.6°C) WB, and outdoor temperature of 47°F (8.3°C) DB/43°F (6.1°C) WB. Pipe length: 25ft. (7.5m), Height difference: 0ft. (0m) (Outdoor unit - indoor unit).