

Inverter Driven Heat Pump

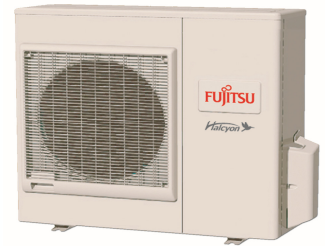
24,000 BTU Single Zone Floor/Ceiling Mounted

Job Name _____
 Location _____
 Engineer _____
 Submitted To _____
 Submitted By _____
 Reference _____

Date _____
 Approval _____
 Construction _____
 Unit No _____
 Drawing No _____

PRODUCT FEATURES

- Auto Changeover
- 24 Hr. Timer
- Floor/Ceiling Mount
- Accepts Fresh Air (Field Supplied)
- Auto Restart
- OF Low Ambient Cooling
- Auto Louver
- Auto Fan Mode



MODEL NUMBERS	
Indoor Unit	ABU24RULX
Outdoor Unit	AOU24RLX
System	24RULX

EFFICIENCIES	
SEER	15
EER	9.90
HSPF	8.50

OUTDOOR TEMPERATURE OPERATION RANGE		
Cooling	°F(°C)	0 to 115 (-18 to 46)
Heating		14 to 75 (-10 to 24)

CAPACITIES			
Cooling	Rated	BTU/hW	22,200
	Max.		5000-27300
Heating	Rated		24,000
	Max.		5000-29000

LINESET REQUIREMENTS		
Connection Method		Flare
Liquid	in (mm)	Ø3/8 (9.52)
Gas		Ø5/8 (15.88)
Pre-Charge Length	ft (m)	49 (15)
Minimum Length		16 (5)
Maximum Length		164(50)
Max. Height Diff.		66 (20)

INDOOR DIMENSIONS & WEIGHT		
Net (H x W x D)	in	7 - 27/32 x 38 - 31/32 x 25 - 25/32
	mm	199 x 990 x 655
Gross (H x W x D)	in	12 - 19/32 x 45 - 9/32 x 31 - 3/3
	mm	320 x 1150 x 790
Net Weight	lb (kg)	75 (34)
Gross Weight		97 (44)

OUTDOOR DIMENSIONS & WEIGHT		
Net (H x W x D)	in	32- 11/16 x 35- 7/16 x 13
	mm	830 x 900 x 330
Gross (H x W x D)	in	38- 3/16 x 41- 11/32 x 17- 17/32
	mm	970 x 1050 x 445
Net Weight	lb (kg)	141(64)
Gross Weight		154(70)

Warranty Information



6 Year Compressor, 2 Year Parts out-of-the-box Warranty

ACCESSORIES		
FJ-IR-WIFI-1NA		Intesis IR WiFi module
FJ-RC-WIFI-1NA		Intesis Wired WiFi module
UTY-RNBYU		Wired Remote



Indoor Unit ETL#: 3170288
 Outdoor Unit ETL#: 91987

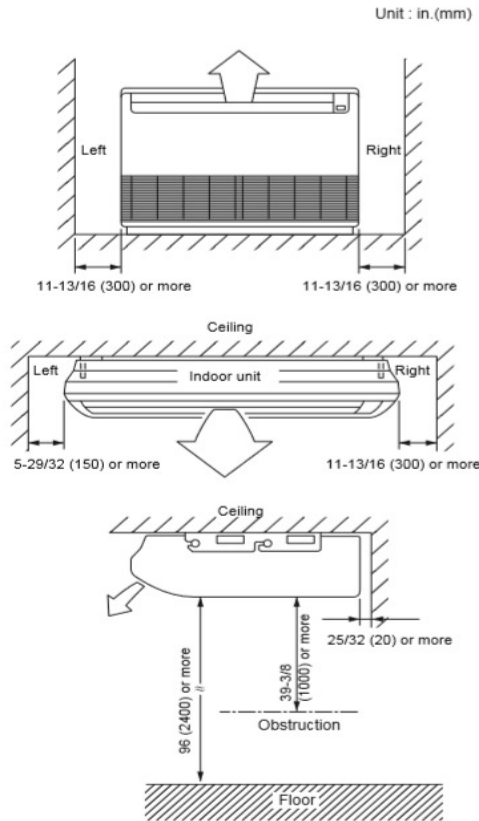
Due to continuous product improvements, specifications are subject to change without notice. Please log in to the Fujitsu Portal for the most up-to-date documentation <https://portal.fujitsugeneral.com>

Inverter Driven Heat Pump

24,000 BTU Single Zone Floor/Ceiling Mounted

FAN DATA				ELECTRICAL SPECIFICATIONS				
Indoor Unit Airflow Rate	Cooling	High	518(880)	Voltage/Frequency/Phase			208 / 230V	
		Medium	435(740)	Voltage Range			187 - 253V ~ 60Hz	
		Low	371(630)	Current	Cooling	Rated	A	9.2
	Heating	High	518(880)		Heating	Rated		10.4
		Medium	435(740)		Maximum Operating Current			Cooling
		Low	371(630)	Heating		12.5		
Outdoor Unit Airflow Rate		Cooling	2119(3600)	Starting Current			9.6	
		Heating	2119(3600)	Maximum Circuit Breaker			20	
SOUND PRESSURE				Input Power	Cooling	Rated	kW	2.1
Indoor Unit	Cooling	High	47			Max		2.88
		Medium	43		Heating	Rated	2.37	
		Low	38			Max	2.88	
	Heating	High	47		OTHER			
		Medium	43		Moisture Removal		pints/h (L/h)	3.5(7.4)
		Low	38	Energy Star			No	
Outdoor Unit		Cooling	53	Drain hose		Material	ABS	
		Heating	53	Size	in (mm)	Ø31/32(Ø29) (I.D.), Ø1-5/32(Ø25) (O.D.)		
REFRIGERANT				Operation Range	Cooling	°F (°C)	0 to 115 (-18 to 46)	
Type	R410A				Heating	°F (°C)	14 to 75 (-10 to 24)	
Charge	lb oz	4lb. 3-1/32oz.						
	kg	1,900						
Oil Type	POE (RB68)							

Mounting Postion:



The Fujitsu logo is a worldwide trademark of Fujitsu General Limited. The Halcyon logo and name is a worldwide trademark of Fujitsu General Limited and is a registered trademark in Japan, the USA and other countries or areas. Copyright 2018 Fujitsu General America, Inc. Fujitsu's products are subject to continuous improvements. Fujitsu reserves the right to modify product design, specifications and information in this brochure without notice and without incurring any obligations.

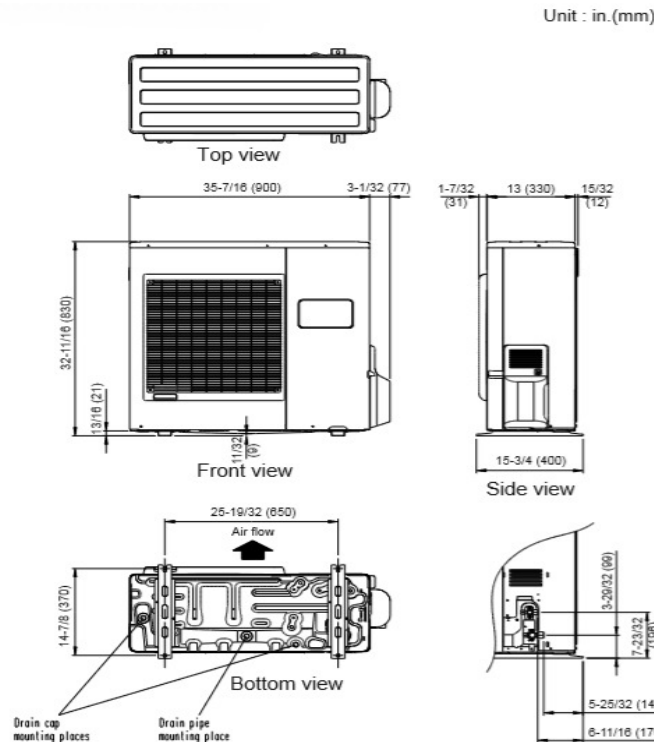
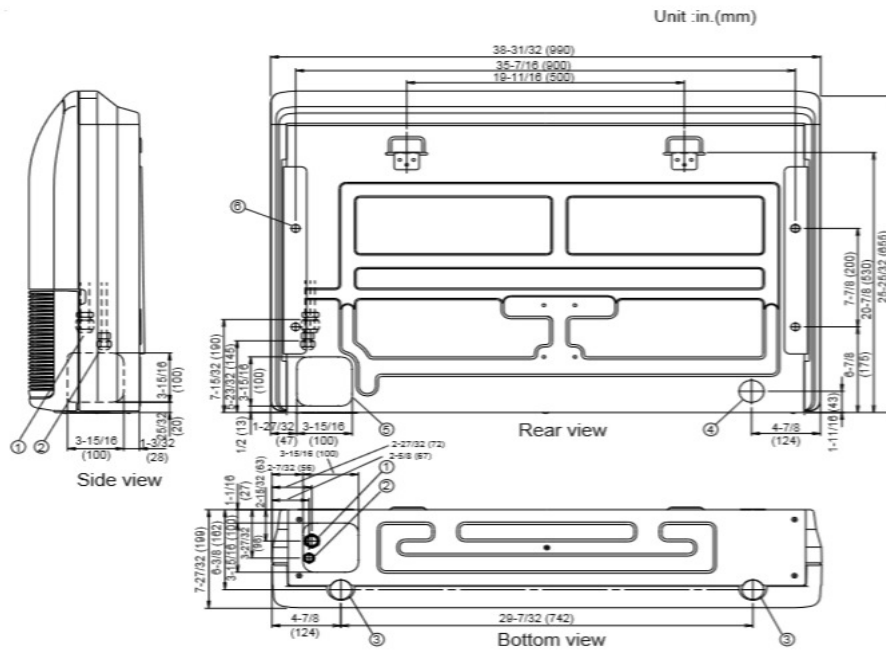
Note: Specifications are based on the following conditions:
 Cooling: Indoor temperature of 80°F (26.7°C) DB/67°F (19.4°C) WB, and outdoor temperature of 95°F (35°C) DB/75°F (23.9°C) WB. Heating: Indoor temperature of 70°F (21.1°C) DB/60°F (15.6°C) WB, and outdoor temperature of 47°F (8.3°C) DB/43°F (6.1°C) WB. Pipe length: 25ft. (7.5m), Height difference: 0ft. (0m) (Outdoor unit - indoor unit).

Inverter Driven Heat Pump

24,000 BTU Single Zone Floor/Ceiling Mounted

DIMENSIONS

Units: In. (mm)



The Fujitsu logo is a worldwide trademark of Fujitsu General Limited. The Halcyon logo and name is a worldwide trademark of Fujitsu General Limited and is a registered trademark in Japan, the USA and other countries or areas. Copyright 2018 Fujitsu General America, Inc. Fujitsu's products are subject to continuous improvements. Fujitsu reserves the right to modify product design, specifications and information in this brochure without notice and without incurring any obligations.

Note: Specifications are based on the following conditions:
 Cooling: Indoor temperature of 80°F (26.7°C) DB/67°F (19.4°C) WB, and outdoor temperature of 95°F (35°C) DB/75°F (23.9°C) WB. Heating: Indoor temperature of 70°F (21.1°C) DB/60°F (15.6°C) WB, and outdoor temperature of 47°F (8.3°C) DB/43°F (6.1°C) WB. Pipe length: 25ft. (7.5m), Height difference: 0ft. (0m) (Outdoor unit - indoor unit).