

**Inverter Driven Heat Pump**

**36K BTU Single Zone Wall Mounted System**

Job Name \_\_\_\_\_  
 Location \_\_\_\_\_  
 Engineer \_\_\_\_\_  
 Submitted To \_\_\_\_\_  
 Submitted By \_\_\_\_\_  
 Reference \_\_\_\_\_

Date \_\_\_\_\_  
 Approval \_\_\_\_\_  
 Construction \_\_\_\_\_  
 Unit No \_\_\_\_\_  
 Drawing No \_\_\_\_\_

**PRODUCT FEATURES**

- Auto Changeover
- 24 Hour Timer
- Auto Louver: 4 way
- Minimum Heat Mode
- Quiet Mode
- Auto Restart
- Economy Mode
- Auto Fan



**MODEL NUMBERS**

Indoor Unit	ASU36RLXB
Outdoor Unit	AOU36RLXB
System	36RLXB

**EFFICIENCIES**

SEER	15.5	
EER	8.5	
HSPF	9	
COP	kW/kW	2.94
	Btu/hW	10.0

**OUTDOOR TEMPERATURE OPERATION RANGE**

Cooling	*F(°C)	14 to 115 (-10 to 46)
Heating		5 to 75 (-15 to 24)

**CAPACITIES**

Cooling	Rated	BTU/hW	33,000
	Min.-Max.		9900-34100
Heating	Rated		34,000
	Min.-Max.		10200-35000

**LINESET REQUIREMENTS**

Connection Method		Flare
Liquid	in (mm)	Ø 3/8 (Ø 9.52)
		Ø 5/8 (Ø 15.88)
Pre-Charge Length	ft (m)	66 (20)
Minimum Length		16 (5)
Maximum Length		165 (50)
Max. Height Diff.		98 (30)

**INDOOR DIMENSIONS & WEIGHT**

Net (H x W x D)	in	320 x 998 x 228
	mm	12-10/16 x 39-5/16 x 9
Gross (H x W x D)	in	319 x 1090 x 429
	mm	12-9/16 x 42-15/16 x 16-14/16
Net Weight	lb (kg)	31 (14)
Gross Weight		40 (18)

**OUTDOOR DIMENSIONS & WEIGHT**

Net (H x W x D)	in	32-11/16 x 35-7/16 x 13
	mm	830 xx 900 x 330
Gross (H x W x D)	in	38-3/16 x 41-5/16 x 17-8/16
	mm	970 x 1050 x 445
Net Weight	lb (kg)	134 (61)
Gross Weight		150 (68)

**Warranty Information**



7 Year Compressor, 5 Year Parts out-of-the-box Warranty



10 Year Compressor, 10 Year Parts Warranty when registered within 30 days of installation in a residence



12 Year Compressor, 12 Year Parts Warranty when registered within 30 days of installation in a residence, and installed by a Fujitsu Elite contractor

**ACCESSORIES**

UTY-TTRX	3rd Party Thermostate Converter
FJ-IR-WIFI-1NA	Intesis WiFi IR Module
FJ-RC-WIFI-1NA	Intesis WiFi Wired Module
UTY-TFNXZ2	WiFi Interface Module
UTY-RNNUM	Wired Remote
UTY-RVNUM	Wired Remote w/backlight
UTY-RSNUM	Simple Remote
UTY-XWZX	Dry Contact Wire Kit



Indoor Unit ETL#: 3170288  
 Outdoor Unit ETL#: 91987

Due to continuous product improvements, specifications are subject to change without notice. Please log in to the Fujitsu Portal for the most up-to-date documentation <https://portal.fujitsugeneral.com>

**36K BTU Single Zone Wall**

**36K BTU Single Zone Wall Mounted System**

**FAN DATA**

Indoor Unit Airflow Rate	Cooling	High	CFM (m3/h)	694 (1180)
		Medium		530 (900)
		Low		435 (740)
		Quiet		365 (620)
	Heating	High		694 (1180)
		Medium		530 (900)
		Low		435 (740)
		Quiet		365 (620)
Outdoor Unit Airflow Rate	Cooling		2,119 (3,600)	
	Heating		2,119 (3,600)	

**SOUND PRESSURE**

Indoor Unit	Cooling	High	dB (A)	50
		Medium		42
		Low		37
		Quiet		32
	Heating	High		50
		Medium		42
		Low		37
		Quiet		33
Outdoor Unit	Cooling		52	
	Heating		55	

**REFRIGERANT**

Type	R410A		
Charge	lb oz	4lbs. 10.1oz.	
	kg	2	
Oil Type	POE (RB68)		

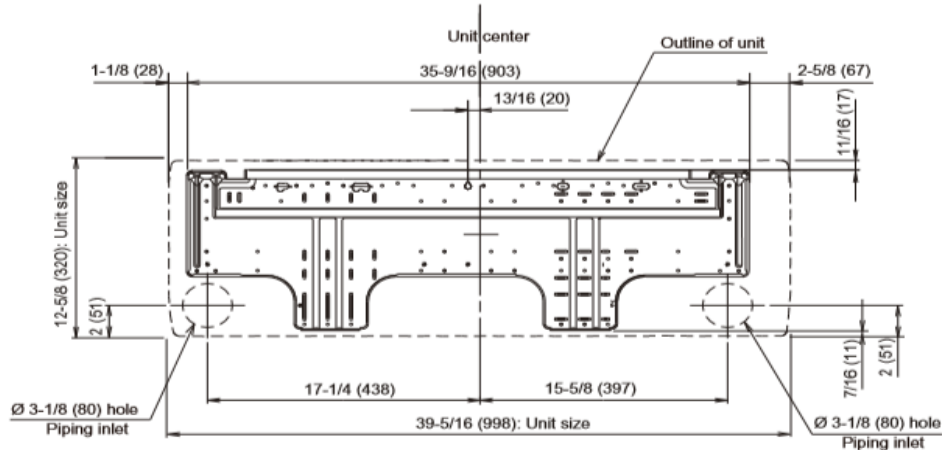
**ELECTRICAL SPECIFICATIONS**

Voltage/Frequency/Phase			208/230V ~ 60Hz	
Voltage Range			187-253V	
Current	Cooling	Rated	A	17
	Heating	Rated		14.8
Maximum Operating Current		Cooling		18
	Heating	18.8		
Starting Current			17	
MCA			23.3	
Maximum Circuit Breaker			30	
Input Power	Cooling	Rated	kW	3.88
		Min.-Max.		4.01
	Heating	Rated		3.39
		Min.-Max.		3.5
Power Factor	Cooling	%		99
	Heating			99

**OTHER**

Moisture Removal	pints/h (L/h)	4.8(10.1)	
Energy Star		NO	
Drain hose	Material	PVC	
Operation Range	Size	in (mm)	Ø 15/32 (12) (I.D.), 5/8(16)
	Cooling	°F (°C)	64 to 90 (18 to 32)
Range		%RH	80 or less
	Heating	°F (°C)	88 (30) or less

**Wall Bracket Data:**



The Fujitsu logo is a worldwide trademark of Fujitsu General Limited. The Halcyon logo and name is a worldwide trademark of Fujitsu General America, Inc. Fujitsu's products are subject to continuous improvements. Fujitsu reserves the right to modify product design, specifications and information in this brochure without notice and without incurring any obligations.

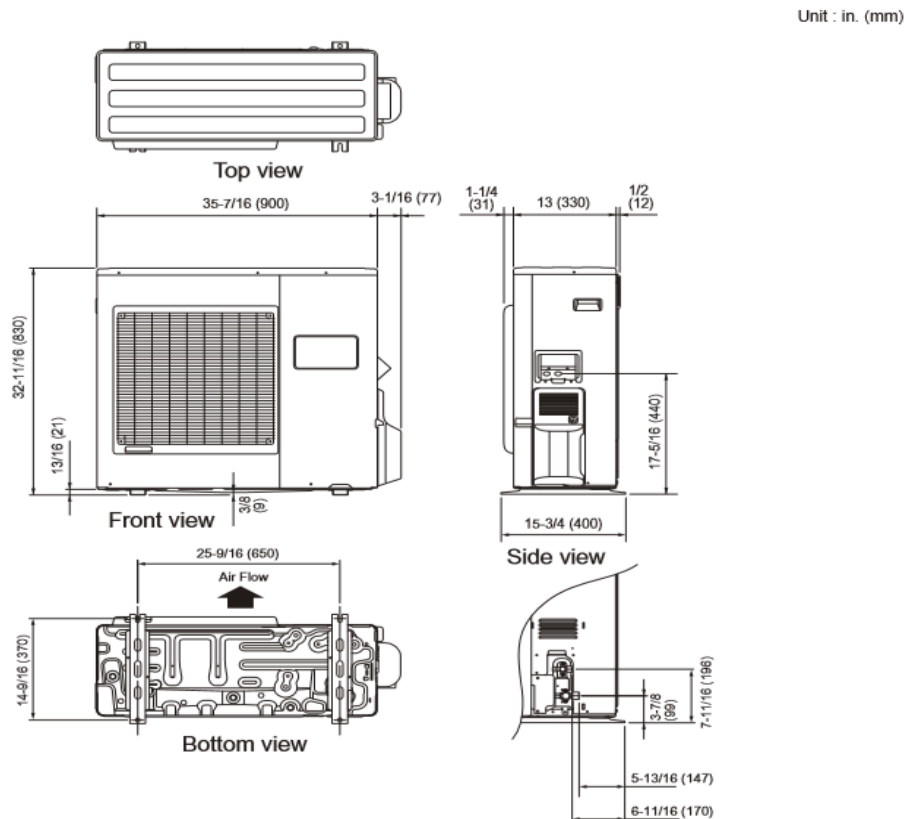
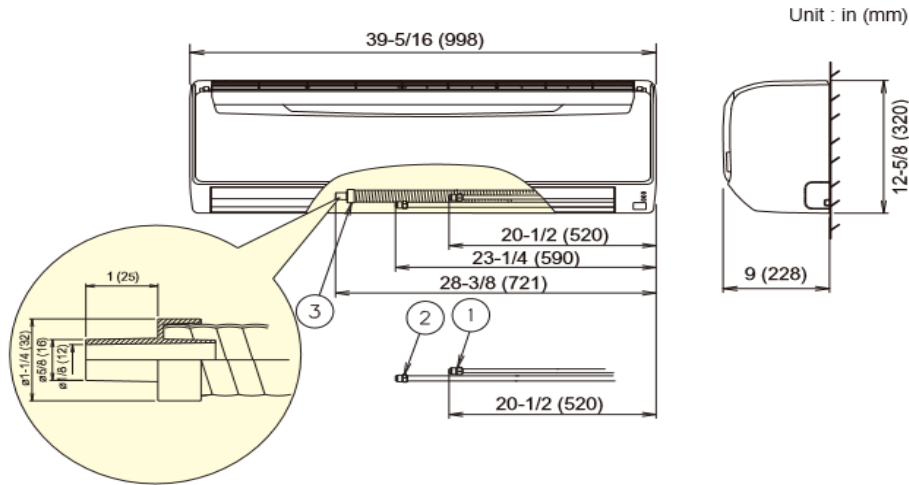
Note: Specifications are based on the following conditions:  
 Cooling: Indoor temperature of 80°F (26.7°C) DB/67°F (19.4°C) WB, and outdoor temperature of 95°F (35°C) DB/75°F (23.9°C) WB. Heating: Indoor temperature of 70°F (21.1°C) DB/60°F (15.6°C) WB, and outdoor temperature of 47°F (8.3°C) DB/43°F (6.1°C) WB. Pipe length: 25ft. (7.5m), Height difference: 0ft. (0m) (Outdoor unit - indoor unit).

36K BTU Single Zone Wall

36K BTU Single Zone Wall Mounted System

DIMENSIONS

Units: In. (mm)



The Fujitsu logo is a worldwide trademark of Fujitsu General Limited. The Halcyon logo and name is a worldwide trademark of Fujitsu General Limited and is a registered trademark in Japan, the USA and other countries or areas. Copyright 2018 Fujitsu General America, Inc. Fujitsu's products are subject to continuous improvements. Fujitsu reserves the right to modify product design, specifications and information in this brochure without notice and without incurring any obligations.

Note: Specifications are based on the following conditions:  
 Cooling: Indoor temperature of 80°F (26.7°C) DB/67°F (19.4°C) WB, and outdoor temperature of 95°F (35°C) DB/75°F (23.9°C) WB. Heating: Indoor temperature of 70°F (21.1°C) DB/60°F (15.6°C) WB, and outdoor temperature of 47°F (8.3°C) DB/43°F (6.1°C) WB. Pipe length: 25ft. (7.5m), Height difference: 0ft. (0m) (Outdoor unit - indoor unit).