

**Inverter Driven Heat Pump**

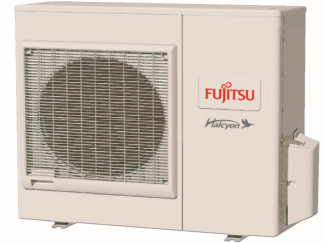
**36,000 BTU Single Zone Ceiling Mounted System**

Job Name \_\_\_\_\_  
 Location \_\_\_\_\_  
 Engineer \_\_\_\_\_  
 Submitted To \_\_\_\_\_  
 Submitted By \_\_\_\_\_  
 Reference \_\_\_\_\_

Date \_\_\_\_\_  
 Approval \_\_\_\_\_  
 Construction \_\_\_\_\_  
 Unit No \_\_\_\_\_  
 Drawing No \_\_\_\_\_

**PRODUCT FEATURES**

- Auto Changeover
- 24 Hr. Timer
- Ceiling Mount
- Accepts Fresh Air (Field Supplied)
- Auto Restart
- OF Low Ambient Cooling
- Auto Louver
- Auto Fan Mode



MODEL NUMBERS	
Indoor Unit	ABU36RSLX
Outdoor Unit	AOU36RLX
System	36RSLX

EFFICIENCIES	
SEER	14
EER	8.10
HSPF	8.50

OUTDOOR TEMPERATURE OPERATION RANGE		
Cooling	°F(°C)	0 to 115 (-18 to 46)
Heating		14 to 75 (-10 to 24)

CAPACITIES			
Cooling	Rated	BTU/hW	34,100
	Max.		8,500-36,000
Heating	Rated		36,500
	Max.		9,200-42,700

LINESET REQUIREMENTS			
Connection Method		Flare	
Liquid	in (mm)	Ø3/8 (9.52)	
Gas		Ø5/8 (15.88)	
Pre-Charge Length	ft (m)	49 (15)	
Minimum Length		16 (5)	
Maximum Length		164(50)	
Max. Height Diff.		98 (30)	

INDOOR DIMENSIONS & WEIGHT			
Net (H x W x D)	in	9 - 7/16 x 65 - 11/32 x 27 - 9/16	
	mm	240 x 1660 x 700	
Gross (H x W x D)	in	12 - 17/32 x 70 - 7/8 x 31 - 3/32	
	mm	318 x 1800 x 790	
Net Weight	lb (kg)	106 (48)	
Gross Weight		134(61)	

OUTDOOR DIMENSIONS & WEIGHT			
Net (H x W x D)	in	32- 11/16 x 35- 7/16 x 13	
	mm	830 x 900 x 330	
Gross (H x W x D)	in	38- 3/16 x 41- 11/32 x 17- 17/32	
	mm	970 x 1050 x 445	
Net Weight	lb (kg)	141(64)	
Gross Weight		154(70)	

**Warranty Information**



6 Year Compressor, 2 Year Parts out-of-the-box Warranty

**ACCESSORIES**

FJ-IR-WIFI-1NA	Intesis IR WiFi module
FJ-RC-WIFI-1NA	Intesis Wired WiFi module
UTY-RNBYU	Wired Remote



Indoor Unit ETL#: 3170288  
 Outdoor Unit ETL#: 91987

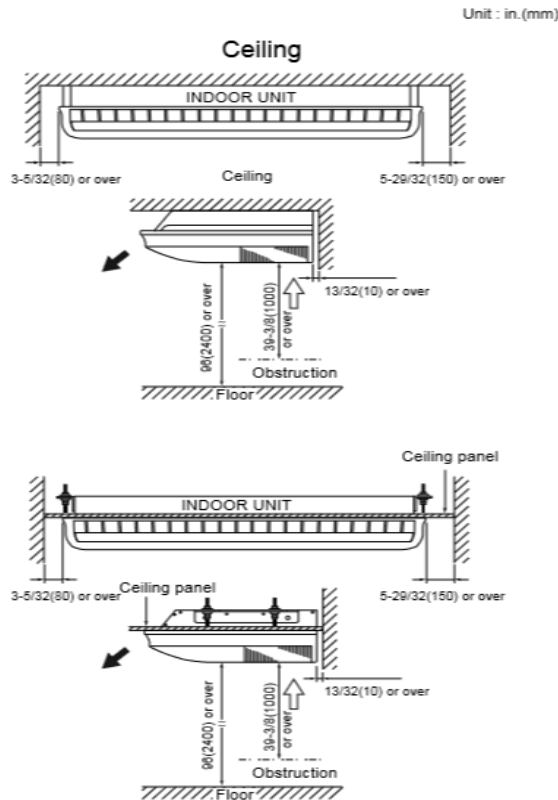
Due to continuous product improvements, specifications are subject to change without notice. Please log in to the Fujitsu Portal for the most up-to-date documentation <https://portal.fujitsugeneral.com>

**Inverter Driven Heat Pump**

**36,000 BTU Single Zone Ceiling Mounted System**

FAN DATA				ELECTRICAL SPECIFICATIONS				
Indoor Unit Airflow Rate	Cooling	High	1089 (1850)	Voltage/Frequency/Phase			208 / 230V	
		Medium	977 (1660)	Voltage Range			187 - 253V ~ 60Hz	
		Low	842 (1430)	Current	Cooling	Rated	A	18.3
	Heating	High	1089 (1850)		Heating	Rated		15.3
		Medium	883 (1500)		Maximum Operating Current			Cooling
		Low	748 (1270)	Heating		18.8		
Starting Current				10				
Outdoor Unit Airflow Rate				Maximum Circuit Breaker			30	
Cooling		2119 (3600)		Input Power	Cooling	Rated	kW	4.22
Heating		2237 (3800)			Heating	Max		4.35
								Rated
								Max
SOUND PRESSURE				OTHER				
Indoor Unit	Cooling	High	48	Moisture Removal		pints/h (L/h)	3.5(7.4)	
		Medium	45	Energy Star		No		
		Low	41	Drain hose		Material	ABS	
	Heating	High	48	Size	in (mm)	Ø9/16(Ø13.8) (I.D.), Ø5/8 to Ø11/16(Ø15.8 to Ø16.7) (O.D.)		
		Medium	43			Operation Range	Cooling	°F (°C)
		Low	39	Heating	°F (°C)		14 to 75 (-10 to 24)	
Outdoor Unit								
Cooling		54						
Heating		55						
REFRIGERANT								
Type	R410A							
Charge	lb oz	4LB. 13 19/32						
	kg	2,200						
Oil Type	POE (RB68)							

**Mounting Postion:**



The Fujitsu logo is a worldwide trademark of Fujitsu General Limited. The Halcyon logo and name is a worldwide trademark of Fujitsu General Limited and is a registered trademark in Japan, the USA and other countries or areas. Copyright 2018 Fujitsu General America, Inc. Fujitsu's products are subject to continuous improvements. Fujitsu reserves the right to modify product design, specifications and information in this brochure without notice and without incurring any obligations.

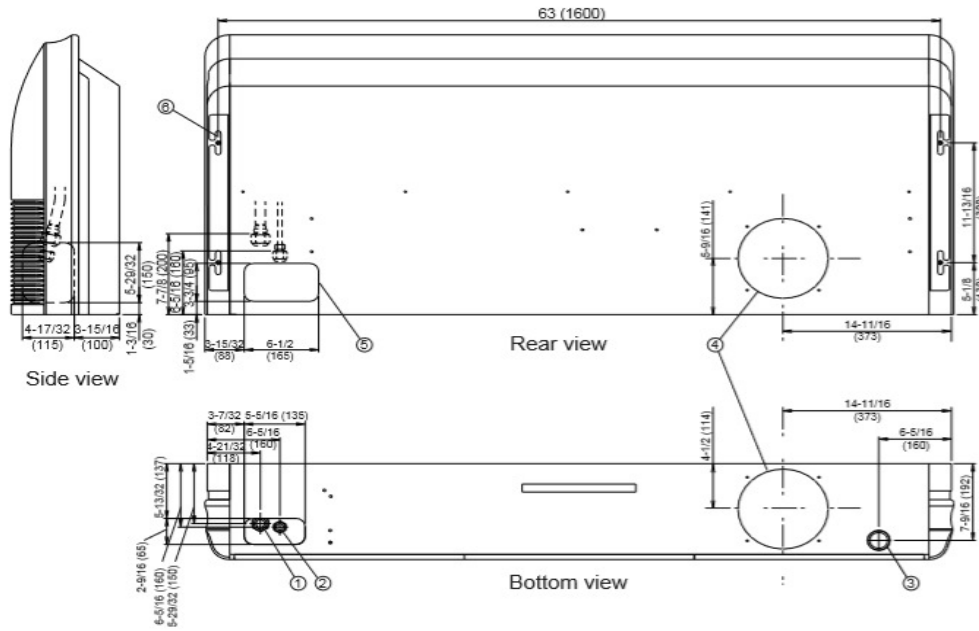
Note: Specifications are based on the following conditions:  
 Cooling: Indoor temperature of 80°F (26.7°C) DB/67°F (19.4°C) WB, and outdoor temperature of 95°F (35°C) DB/75°F (23.9°C) WB. Heating: Indoor temperature of 70°F (21.1°C) DB/60°F (15.6°C) WB, and outdoor temperature of 47°F (8.3°C) DB/43°F (6.1°C) WB. Pipe length: 25ft. (7.5m), Height difference: 0ft. (0m) (Outdoor unit - indoor unit).

Inverter Driven Heat Pump

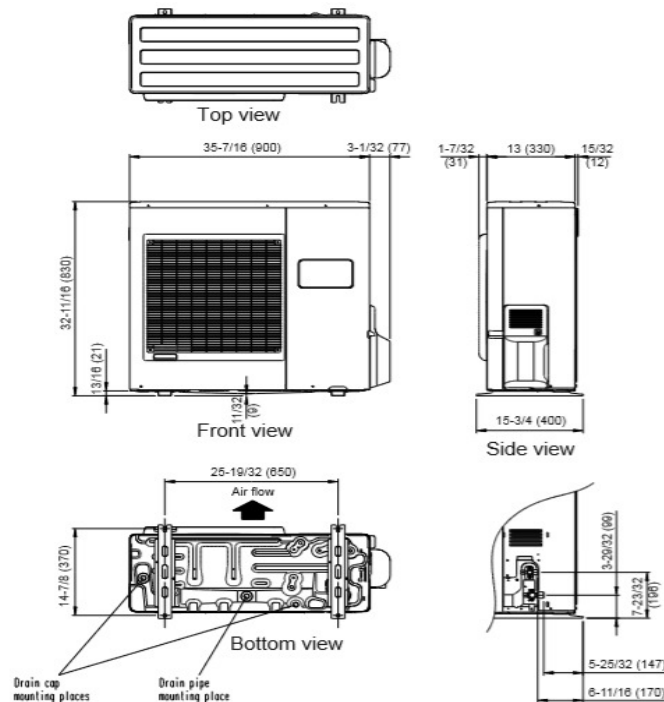
36,000 BTU Single Zone Ceiling Mounted System

DIMENSIONS

Units: In. (mm)



Unit : in.(mm)



The Fujitsu logo is a worldwide trademark of Fujitsu General Limited. The Halcyon logo and name is a worldwide trademark of Fujitsu General Limited and is a registered trademark in Japan, the USA and other countries or areas. Copyright 2018 Fujitsu General America, Inc. Fujitsu's products are subject to continuous improvements. Fujitsu reserves the right to modify product design, specifications and information in this brochure without notice and without incurring any obligations.

Note: Specifications are based on the following conditions:  
 Cooling: Indoor temperature of 80°F (26.7°C) DB/67°F (19.4°C) WB, and outdoor temperature of 95°F (35°C) DB/75°F (23.9°C) WB. Heating: Indoor temperature of 70°F (21.1°C) DB/60°F (15.6°C) WB, and outdoor temperature of 47°F (8.3°C) DB/43°F (6.1°C) WB. Pipe length: 25ft. (7.5m), Height difference: 0ft. (0m) (Outdoor unit - indoor unit).