

Inverter Driven Heat Pump

9,000 BTU Single Zone Wall Mounted System

Job Name _____
 Location _____
 Engineer _____
 Submitted To _____
 Submitted By _____
 Reference _____

Date _____
 Approval _____
 Construction _____
 Unit No _____
 Drawing No _____

PRODUCT FEATURES

- Wireless remote controller
- Automatic airflow adjustment
- Auto/Cool/Dry/Fan/Heat/modes
- 24 Hr. timer
- Powerful mode
- Auto changeover
- Cold prevention



MODEL NUMBERS

Indoor Unit	ASU9RL2
Outdoor Unit	AOU9RL2
System	9RL2

EFFICIENCIES

SEER	16.0	
EER	10.9	
HSPF	9.0	
COP	3.81	
	Btu/hW	13.0

OUTDOOR TEMPERATURE OPERATION RANGE

Cooling	*F(*C)	15 to 115 (-10 to 46)
Heating		15 to 75 (-10 to 24)

CAPACITIES

Cooling	Rated	BTU/hW	9,000
	Min.-Max.		1700 - 10700
Heating	Rated		10,000
	Min.-Max.		1700 - 12000

LINESET REQUIREMENTS

Connection Method	Flare		
Liquid	in (mm)	Ø1/4 in (Ø6.35)	
Gas		Ø3/8 in (Ø9.52)	
Pre-Charge Length		49 (15)	
Minimum Length	ft (m)	10 (3)	
Maximum Length		66 (20)	
Max. Height Diff.		49 (15)	

INDOOR DIMENSIONS & WEIGHT

Net (H x W x D)	in	10 - 5/16 x 32 - 9/32 x 8 - 1/8
	mm	262 x 820 x 206
Gross (H x W x D)	in	10 - 11/32 x 34 - 1/4 x 12 - 29/32
	mm	263 x 870 x 328
Net Weight	lb (kg)	16 (7)
Gross Weight		20 (9)

OUTDOOR DIMENSIONS & WEIGHT

Net (H x W x D)	in	21-1/4 x 26 x 11-11/32
	mm	(540x660x290)
Gross (H x W x D)	in	24x31x16
	mm	(610x787x406)
Net Weight		64
Gross Weight	lb (kg)	68

Warranty Information



7 Year Compressor, 5 Year Parts out-of-the-box Warranty



10 Year Compressor, 10 Year Parts Warranty when registered within 60 days of installation in a residence



12 Year Compressor, 12 Year Parts Warranty when registered within 60 days of installation in a residence, and installed by a Fujitsu Elite contractor

ACCESSORIES

FJ-IR-WIFI-1NA	Intesis WiFi IR Module
----------------	------------------------



Indoor Unit ETL#: 3170288
 Outdoor Unit ETL#: 91987

Due to continuous product improvements, specifications are subject to change without notice. Please log in to the Fujitsu Portal for the most up-to-date documentation <https://portal.fujitsugeneral.com>

Effective Date: 5/19/2020

Version 9RL2 -2019B

Inverter Driven Heat Pump

9,000 BTU Single Zone Wall Mounted System

FAN DATA

Indoor Unit Airflow Rate	Cooling	High	CFM (m3/h)	424 (720)
		Medium		353 (600)
		Low		247 (420)
		Quiet		191 (325)
	Heating	High		436 (740)
		Medium		353 (600)
		Low		265 (450)
		Quiet		191 (325)
Outdoor Unit Airflow Rate	Cooling		1013 (1720)	
	Heating		889 (1510)	

SOUND PRESSURE

Indoor Unit	Cooling	High	dB (A)	43
		Medium		38
		Low		33
		Quiet		23
	Heating	High		43
		Medium		38
		Low		33
		Quiet		23
Outdoor Unit	Cooling		47	
	Heating		48	

REFRIGERANT

Type	R410A		
Charge	lb oz	1 lb 7oz	
	g	650	
Oil Type	POE (RB68)		

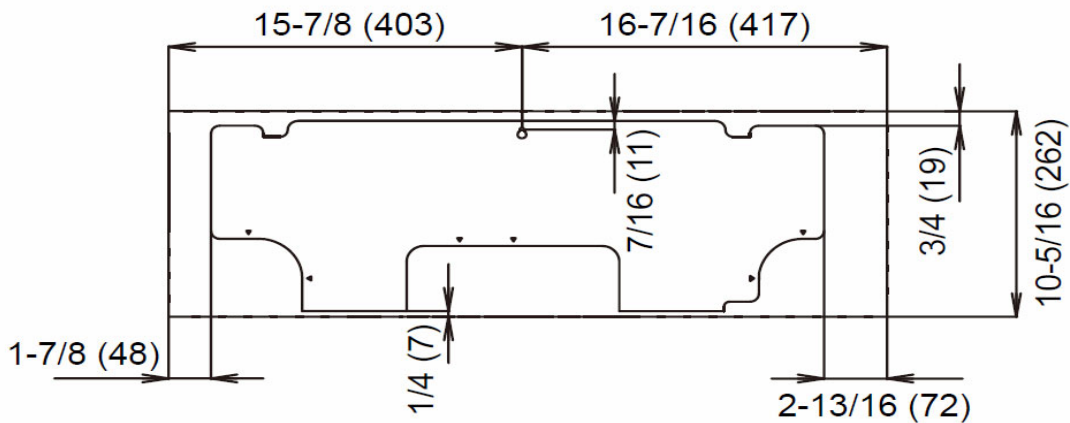
ELECTRICAL SPECIFICATIONS

Voltage/Frequency/Phase				115V~ 60Hz
Voltage Range				103.5 - 126.5V
Current	Cooling	Rated	A	7.5
	Heating	Rated		7
Maximum Operating Current		Cooling		13
		Heating		13.5
Starting Current				7.5
MCA				13.5
Maximum Circuit Breaker				15
Input Power	Cooling	Rated	kW	0.83
		Min.-Max.		0.24 - 1.44
	Heating	Rated		0.77
		Min.-Max.	0.21 - 1.49	
Power Factor	Cooling			96
	Heating			96

OTHER

Moisture Removal	pints/h (L/h)		2.7(1.3)
Energy Star	No		
Drain hose	Material	PP+LLDPE	
Operation Range	Cooling	Size	in (mm) Ø 17/32 (13.8) (I.D.), Ø 1-1/16
		°F (°C)	64 to 90 (18 to 32)
	Heating	%RH	80 or less
		°F (°C)	60 to 88 (16 to 30)

Wall Bracket Data:

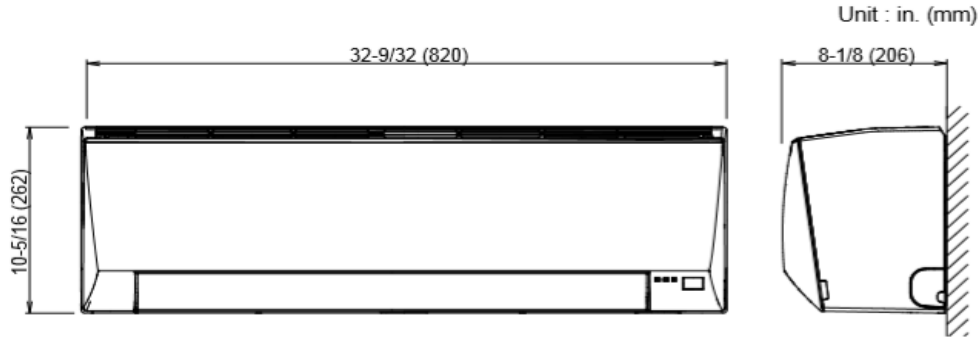


The Fujitsu logo is a worldwide trademark of Fujitsu General Limited. The Halcyon logo and name is a worldwide trademark of Fujitsu General Limited and is a registered trademark in Japan, the USA and other countries or areas. Copyright 2018 Fujitsu General America, Inc. Fujitsu's products are subject to continuous improvements. Fujitsu reserves the right to modify product design, specifications and information in this brochure without notice and without incurring any obligations.

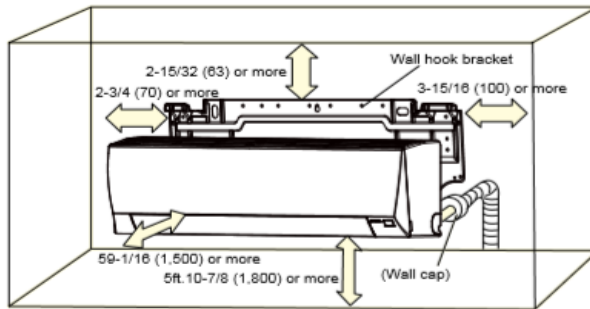
Note: Specifications are based on the following conditions:
 Cooling: Indoor temperature of 80°F (26.7°C) DB/67°F (19.4°C) WB, and outdoor temperature of 95°F (35°C) DB/75°F (23.9°C) WB. Heating: Indoor temperature of 70°F (21.1°C) DB/60°F (15.6°C) WB, and outdoor temperature of 47°F (8.3°C) DB/43°F (6.1°C) WB. Pipe length: 25ft. (7.5m), Height difference: 0ft. (0m) (Outdoor unit - indoor unit).

DIMENSIONS

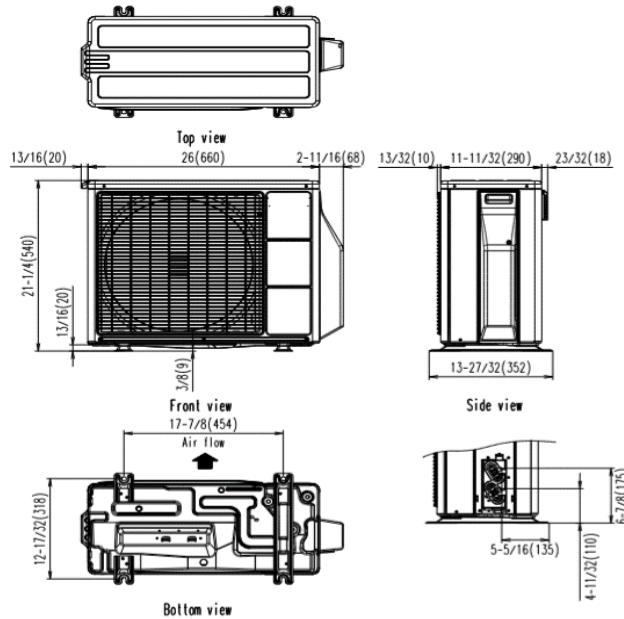
Units: In. (mm)



■ INSTALLATION PLACE



Unit : in.(mm)



The Fujitsu logo is a worldwide trademark of Fujitsu General Limited. The Halcyon logo and name is a worldwide trademark of Fujitsu General Limited and is a registered trademark in Japan, the USA and other countries or areas. Copyright 2018 Fujitsu General America, Inc. Fujitsu's products are subject to continuous improvements. Fujitsu reserves the right to modify product design, specifications and information in this brochure without notice and without incurring any obligations.

Note: Specifications are based on the following conditions:

Cooling: Indoor temperature of 80°F (26.7°C) DB/67°F (19.4°C) WB, and outdoor temperature of 95°F (35°C) DB/75°F (23.9°C) WB. Heating: Indoor temperature of 70°F (21.1°C) DB/60°F (15.6°C) WB, and outdoor temperature of 47°F (8.3°C) DB/43°F (6.1°C) WB. Pipe length: 25ft. (7.5m), Height difference: 0ft. (0m) (Outdoor unit - indoor unit).