

Inverter Driven Heat Pump

9,000 BTU Single Zone Floor Mount System

Job Name _____
 Location _____
 Engineer _____
 Submitted To _____
 Submitted By _____
 Reference _____

Date _____
 Approval _____
 Construction _____
 Unit No _____
 Drawing No _____

PRODUCT FEATURES

- Auto Changeover
- 24 hr. Timer
- Auto Louver
- Minimum Heat Mode
- Auto Restart
- Wireless Remote control
- Powerful Mode
- Floor Level Heating



MODEL NUMBERS

Indoor Unit	AGU9RLF
Outdoor Unit	AOU9RLFF
System	9RLFF

EFFICIENCIES

SEER	26	
EER	16	
HSPF	12.6	
COP	kW/kW	4.00
	Btu/hW	13.6

OUTDOOR TEMPERATURE OPERATION RANGE

Cooling	*F(°C)	14 to 115 (-10 to 46)
Heating		-5 to 75 (-21 to 24)

CAPACITIES

Cooling	Rated	BTU/hW	9,000
	Min.–Max.		3100 - 13,000
Heating	Rated		12,000
	Min.–Max.		3100 - 18,800

LINESET REQUIREMENTS

Connection Method		Flare
Liquid	in (mm)	Ø 1/4 (Ø 6.35)
Gas		Ø 3/8 (Ø 9.52)
Pre-Charge Length	ft (m)	49 (15)
Minimum Length		10 (3)
Maximum Length		66 (20)
Max. Height Diff.		49 (15)

INDOOR DIMENSIONS & WEIGHT

Net (H x W x D)	in	23-5/8 x 29-1/8 x 7-7/8
	mm	600 x 740 x 200
Gross (H x W x D)	in	27-9/16 x 32-5/16 x 12-3/16
	mm	700 x 820 x 310
Net Weight	lb (kg)	31 (14)
Gross Weight		37 (17)

OUTDOOR DIMENSIONS & WEIGHT

Net (H x W x D)	in	24-7/16 x 31-1/8 x 11-7/16
	mm	620 x 790 x 290
Gross (H x W x D)	in	28-1/16 x 37-3/16 x 15-9/16
	mm	713 x 945 x 395
Net Weight	lb (kg)	84 (38)
Gross Weight		93 (42)

Warranty Information



7 Year Compressor, 5 Year Parts out-of-the-box Warranty



10 Year Compressor, 10 Year Parts Warranty when registered within 60 days of installation in a residence



12 Year Compressor, 12 Year Parts Warranty when registered within 60 days of installation in a residence, and installed by a Fujitsu Elite contractor

ACCESSORIES

UTY-TTRX	3rd Party Thermostat Converter
UTY-RNNUM	Wired Remote
UTY-RVNUM	Wired Remote w/backlight
UTY-RSNUM	Simple Remote
UTY-XWZXZ5	Dry Contact Wire Kit
FJ-IR-WIFI-1NA	Intesis IR WiFi module
FJ-RC-WIFI-1NA	Intesis Wired WiFi module



This system combination is Energy Star qualified



Indoor Unit ETL#: 3170288
 Outdoor Unit ETL#: 91987



SUBMITTAL 9RLFF



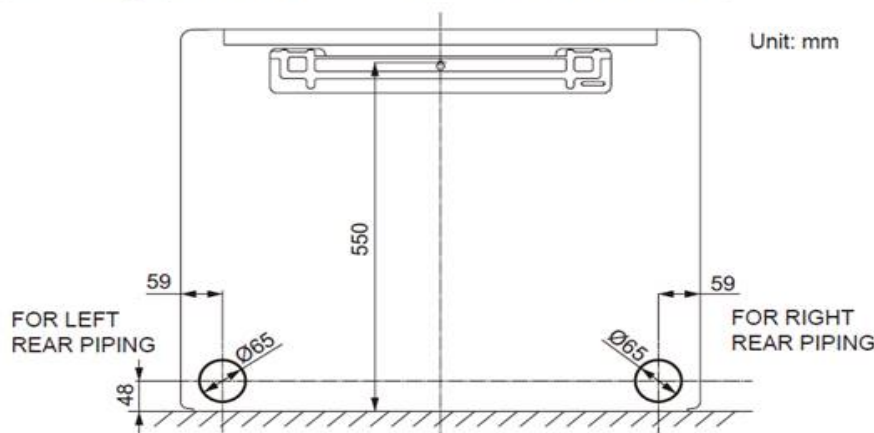
Inverter Driven Heat Pump

9,000 BTU Single Zone Floor Mount System

FAN DATA				ELECTRICAL SPECIFICATIONS									
Indoor Unit Airflow Rate	Cooling	High	CFM (m3/h)	Voltage/Frequency/Phase		208 / 230 V ~ 60 Hz							
		Medium		Voltage Range		187 - 253 V							
		Low		Current	Cooling	Rated	A	2.9					
		Quiet			Heating	Rated		4.1					
	Heating	High	Maximum Operating Current		Cooling	9.3							
		Medium	Starting Current		Heating	10.8							
		Low	MCA		4.1								
		Quiet	Maximum Circuit Breaker		10.8								
Outdoor Unit Airflow Rate		Cooling	1207 (2050)		15								
		Heating	1207 (2050)		0.56								
SOUND PRESSURE				OTHER									
Indoor Unit	Cooling	High	dB (A)	Input Power		kW	Moisture Removal		pints/h (L/h)		2.7 (1.3)		
		Medium		Cooling			Min.–Max.	Energy Star		YES			
		Low		Heating			Rated	Drain hose		Material		PP + LLDPE	
		Quiet					Min.–Max.	Size		in (mm)		Ø9/16(Ø13.8) (I.D.), Ø5/8 to Ø11/16(Ø15.8 to Ø16.7) (O.D.)	
	Heating	High	Power Factor		Cooling	%		84					
		Medium	Heating		%		93						
		Low											
		Quiet											
Outdoor Unit		Cooling	49		Operation Range		Cooling	°F (°C)		64 to 90 (18 to 32)			
		Heating	50				%RH		80 or less				
							Heating		°F (°C)		60 to 88 (16 to 30)		
REFRIGERANT													
Type		R410A											
Charge	lb oz	2lbs.10oz.											
	kg	1											
Oil Type		FREOL α68SZ											

BRACKET DATA

For RIGHT REAR or LEFT REAR piping
(The following figure is a front view of the indoor unit installation location.)



The Fujitsu logo is a worldwide trademark of Fujitsu General Limited. The Halcyon logo and name is a worldwide trademark of Fujitsu General Limited and is a registered trademark in Japan, the USA and other countries or areas. Copyright 2018 Fujitsu General America, Inc. Fujitsu's products are subject to continuous improvements. Fujitsu reserves the right to modify product design, specifications and information in this brochure without notice and without incurring any obligations.

Note: Specifications are based on the following conditions:
Cooling: Indoor temperature of 80°F (26.7°C) DB/67°F (19.4°C) WB, and outdoor temperature of 95°F (35°C) DB/75°F (23.9°C) WB. Heating: Indoor temperature of 70°F (21.1°C) DB/60°F (15.6°C) WB, and outdoor temperature of 47°F (8.3°C) DB/43°F (6.1°C) WB. Pipe length: 25ft. (7.5m), Height difference: 0ft. (0m) (Outdoor unit - indoor unit).

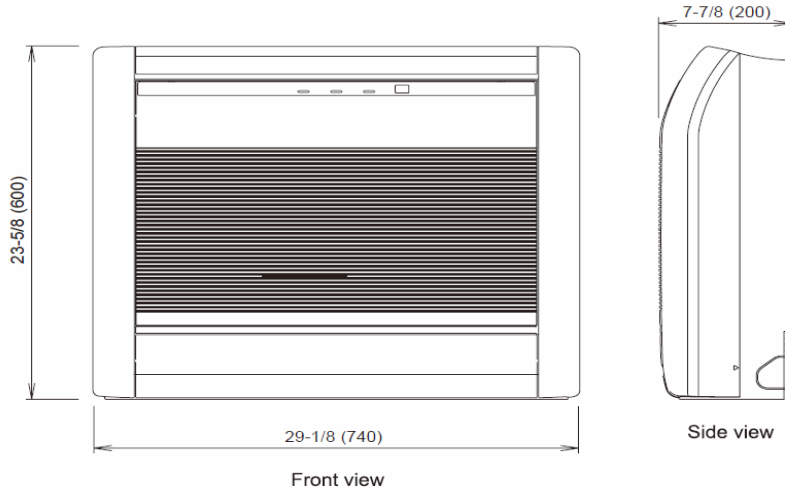
Inverter Driven Heat Pump

9,000 BTU Single Zone Floor Mount System

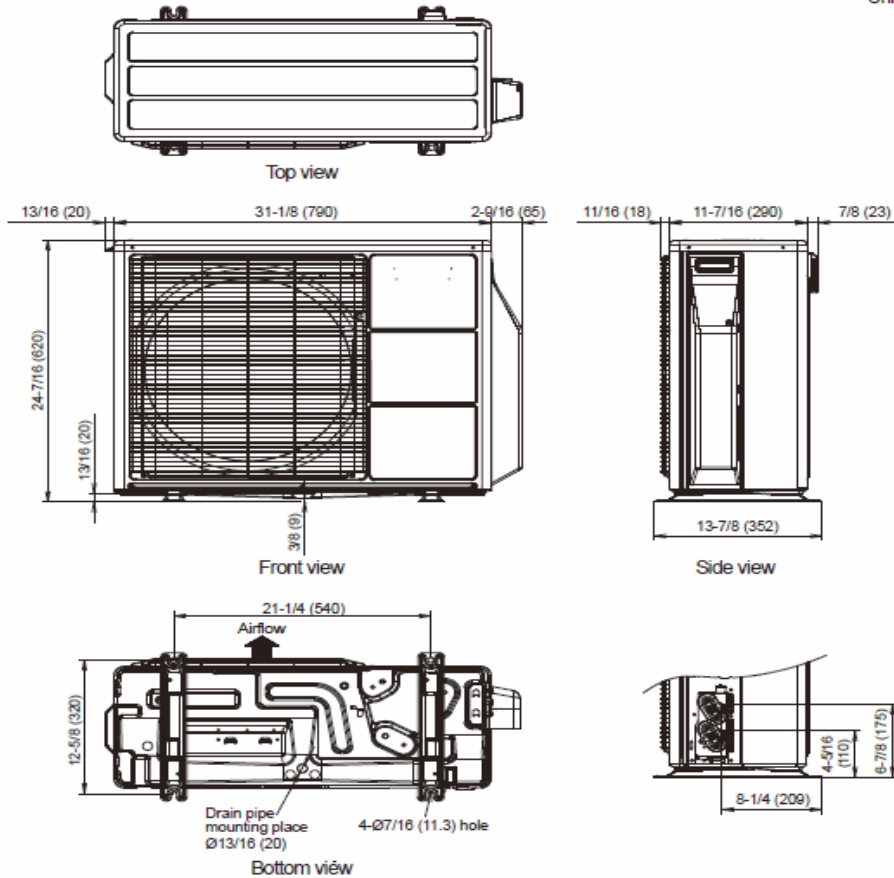
DIMENSIONS

Units: In. (mm)

Unit: in. (mm)



Unit: in. (mm)



The Fujitsu logo is a worldwide trademark of Fujitsu General Limited. The Halcyon logo and name is a worldwide trademark of Fujitsu General Limited and is a registered trademark in Japan, the USA and other countries or areas. Copyright 2018 Fujitsu General America, Inc. Fujitsu's products are subject to continuous improvements. Fujitsu reserves the right to modify product design, specifications and information in this brochure without notice and without incurring any obligations.

Note: Specifications are based on the following conditions:
 Cooling: Indoor temperature of 80°F (26.7°C) DB/67°F (19.4°C) WB, and outdoor temperature of 95°F (35°C) DB/75°F (23.9°C) WB. Heating: Indoor temperature of 70°F (21.1°C) DB/60°F (15.6°C) WB, and outdoor temperature of 47°F (8.3°C) DB/43°F (6.1°C) WB. Pipe length: 25ft. (7.5m), Height difference: 0ft. (0m) (Outdoor unit - indoor unit).