

**Inverter Driven Heat Pump**

**9,000 BTU Single Zone High SEER Wall Mounted System**

Job Name \_\_\_\_\_  
 Location \_\_\_\_\_  
 Engineer \_\_\_\_\_  
 Submitted To \_\_\_\_\_  
 Submitted By \_\_\_\_\_  
 Reference \_\_\_\_\_

Date \_\_\_\_\_  
 Approval \_\_\_\_\_  
 Construction \_\_\_\_\_  
 Unit No \_\_\_\_\_  
 Drawing No \_\_\_\_\_

**PRODUCT FEATURES**

- Auto Changeover
- Weekly & 24 hr. Timer
- Auto Louver: 4 way
- Minimum Heat Mode
- Built in WiFi
- Auto Restart
- Economy Mode
- Energy Saving Program(ESP)
- Wireless Remote control
- Outdoor Unit Low Noise Schedule



**MODEL NUMBERS**

Indoor Unit	ASU9RLS3Y
Outdoor Unit	AOU9RLS3
System	9RLS3Y

**EFFICIENCIES**

SEER	33	
EER	18	
HSPF	14.2	
COP	kW/kW	5.33
	Btu/hW	18.20

**OUTDOOR TEMPERATURE OPERATION RANGE**

Cooling	*F(°C)	14 to 115 (-10 to 46)
Heating		-5 to 75 (-21 to 24)

**CAPACITIES**

Cooling	Rated	BTU/hW	9,000
	Min.–Max.		3100–12000
Heating	Rated		12,000
	Min.–Max.		3100–22000

**LINESET REQUIREMENTS**

Connection Method		Flare
Liquid	in (mm)	Ø 1/4 (Ø 6.35)
Gas		Ø 3/8 (Ø 9.52)
Pre-Charge Length	ft (m)	49 (15)
Minimum Length		10 (3)
Maximum Length		66 (20)
Max. Height Diff.		49 (15)

**INDOOR DIMENSIONS & WEIGHT**

Net (H x W x D)	in	11-5/8 x 37 x 10-5/8
	mm	295 x 940 x 270
Gross (H x W x D)	in	14-3/8 x 40-15/16 x 14
	mm	365 x 1040 x 355
Net Weight	lb (kg)	31 (14)
Gross Weight		37 (17)

**OUTDOOR DIMENSIONS & WEIGHT**

Net (H x W x D)	in	24-1/2 x 31-1/8 x 11-7/16
	mm	620 x 790 x 290
Gross (H x W x D)	in	28 - 1/16 x 37-3/16 x 15 - 9/16
	mm	713 x 945 x 395
Net Weight	lb (kg)	84
Gross Weight		38

**Warranty Information**



7 Year Compressor, 5 Year Parts out-of-the-box Warranty



10 Year Compressor, 10 Year Parts Warranty when registered within 60 days of installation in a residence



12 Year Compressor, 12 Year Parts Warranty when registered within 60 days of installation in a residence, and installed by a Fujitsu Elite contractor

**ACCESSORIES**

UTY-TTRX	3rd Party Thermostat Converter
UTY-TWBXF1	Interface Kit
UTY-RNNUM	Wired Remote
UTY-RVNUM	Wired Remote w/backlight
UTY-RSNUM	Simple Remote
UTY-XWZXZ5	Dry Contact Wire Kit



This system combination is Energy Star qualified



+App available in Apple® App Store and Google® Play Store.



Due to continuous product improvements, specifications are subject to change without notice. Please log in to the Fujitsu Portal for the most up-to-date documentation <https://portal.fujitsugeneral.com>



Indoor Unit ETL#: 3170288  
 Outdoor Unit ETL#: 91987



**SUBMITTAL 9RLS3Y**



**Inverter Driven Heat Pump**

**9,000 BTU Single Zone High SEER Wall Mounted System**

**FAN DATA**

Indoor Unit Airflow Rate	Cooling	High	CFM (m3/h)	489 (830)
		Medium		400 (680)
		Low		341 (580)
		Quiet		224 (380)
	Heating	High		489 (830)
		Medium		400 (680)
		Low		341 (580)
		Quiet		224 (380)
Outdoor Unit Airflow Rate	Cooling		989 (1,680)	
	Heating		1,082 (1,840)	

**SOUND PRESSURE**

Indoor Unit	Cooling	High	dB (A)	42
		Medium		37
		Low		32
		Quiet		23
	Heating	High		41
		Medium		35
		Low		31
		Quiet		23
Outdoor Unit	Cooling		42	
	Heating		47	

**REFRIGERANT**

Type	R410A		
Charge	lb oz	21b 14oz	
	kg	1,300	
Oil Type	POE (RB68)		

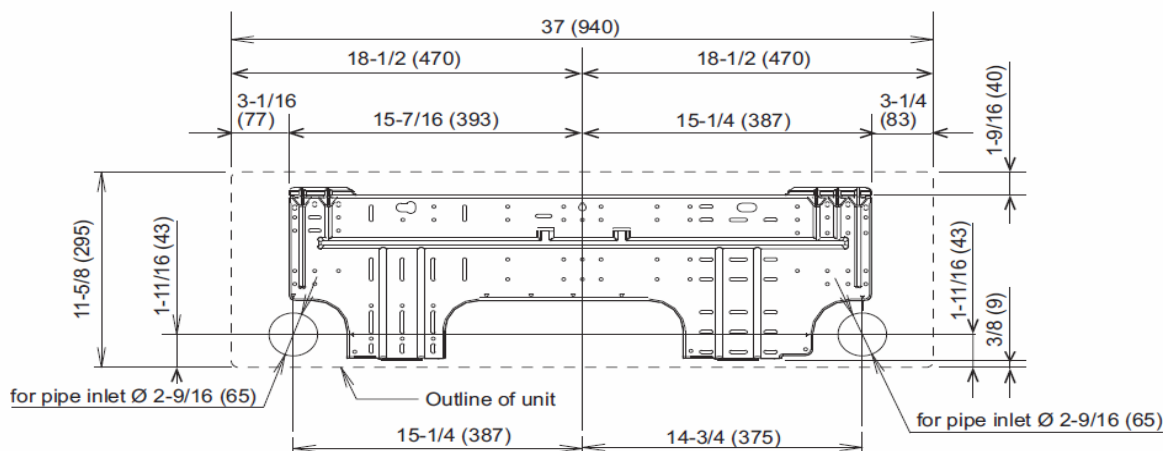
**ELECTRICAL SPECIFICATIONS**

Voltage/Frequency/Phase				208/230V-60HZ
Voltage Range				187-253V-60HZ
Current	Cooling	Rated	A	2.5
	Heating	Rated		3.3
Maximum Operating Current		Cooling		9.4
		Heating		10.9
Starting Current				3.3
MCA				13.4
Maximum Circuit Breaker				15
Input Power	Cooling	Rated	kW	0.5
		Min.-Max.		0.20-0.85
	Heating	Rated		0.66
Power Factor	Cooling	Min.-Max.	%	0.20-1.93
	Heating			87

**OTHER**

Moisture Removal		pints/h (L/h)	1.2(2.6)
Energy Star			Yes
Drain hose	Material		PP+LLDP
Size	in (mm)	Ø 9/16 (Ø 13.8) (I.D.) Ø 5/8 to Ø 11/16 (Ø 15.8 to Ø 16.7) (O.D.)	
		Operation Range	
Cooling	°F (°C)	64 to 90 (18 to 32)	
	%RH	80 or less	
Heating	°F (°C)	60 to 88 (16 to 30)	

**Wall Bracket Data:**



The Fujitsu logo is a worldwide trademark of Fujitsu General Limited. The Halcyon logo and name is a worldwide trademark of Fujitsu General Limited and is a registered trademark in Japan, the USA and other countries or areas. Copyright 2018 Fujitsu General America, Inc. Fujitsu's products are subject to continuous improvements. Fujitsu reserves the right to modify product design, specifications and information in this brochure without notice and without incurring any obligations.

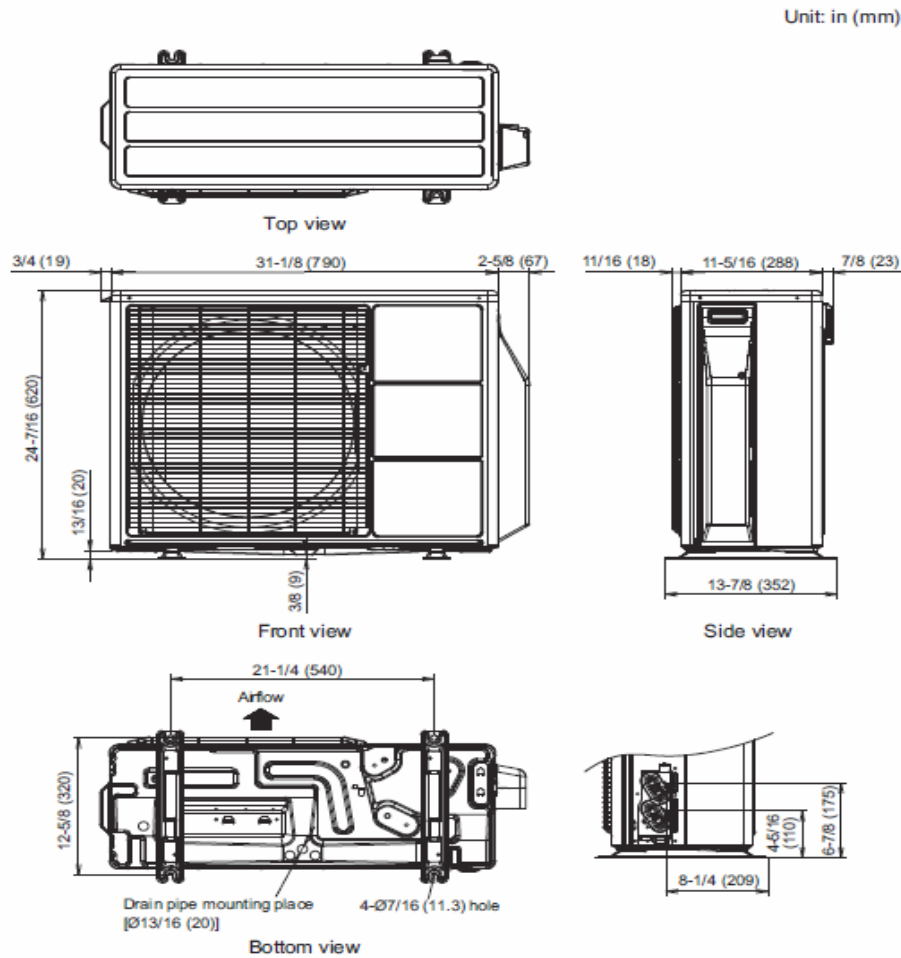
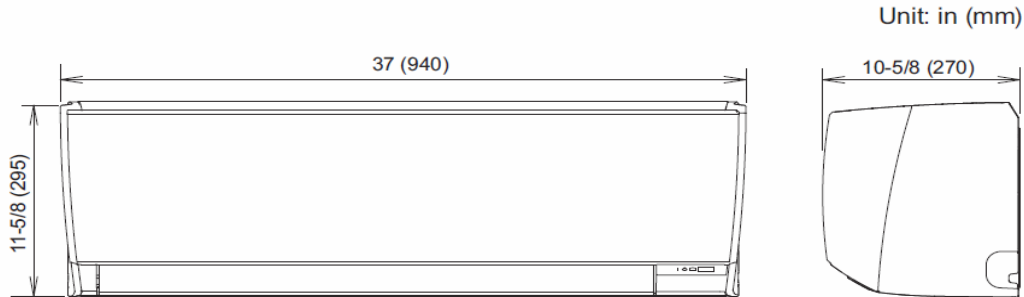
Note: Specifications are based on the following conditions:  
 Cooling: Indoor temperature of 80°F (26.7°C) DB/67°F (19.4°C) WB, and outdoor temperature of 95°F (35°C) DB/75°F (23.9°C) WB. Heating: Indoor temperature of 70°F (21.1°C) DB/60°F (15.6°C) WB, and outdoor temperature of 47°F (8.3°C) DB/43°F (6.1°C) WB. Pipe length: 25ft. (7.5m), Height difference: 0ft. (0m) (Outdoor unit - indoor unit).

Inverter Driven Heat Pump

9,000 BTU Single Zone High SEER Wall Mounted System

DIMENSIONS

Units: In. (mm)



The Fujitsu logo is a worldwide trademark of Fujitsu General Limited. The Halcyon logo and name is a worldwide trademark of Fujitsu General Limited and is a registered trademark in Japan, the USA and other countries or areas. Copyright 2018 Fujitsu General America, Inc. Fujitsu's products are subject to continuous improvements. Fujitsu reserves the right to modify product design, specifications and information in this brochure without notice and without incurring any obligations.

Note: Specifications are based on the following conditions:  
 Cooling: Indoor temperature of 80°F (26.7°C) DB/67°F (19.4°C) WB, and outdoor temperature of 95°F (35°C) DB/75°F (23.9°C) WB. Heating: Indoor temperature of 70°F (21.1°C) DB/60°F (15.6°C) WB, and outdoor temperature of 47°F (8.3°C) DB/43°F (6.1°C) WB. Pipe length: 25ft. (7.5m), Height difference: 0ft. (0m) (Outdoor unit - indoor unit).