

Inverter Driven Heat Pump

9,000 BTU Single Zone High SEER Wall Mounted System

Job Name _____
 Location _____
 Engineer _____
 Submitted To _____
 Submitted By _____
 Reference _____

Date _____
 Approval _____
 Construction _____
 Unit No _____
 Drawing No _____

PRODUCT FEATURES

- Auto Changeover
- Weekly & 24 hr. Timer
- Auto Louver: 4 way
- Minimum Heat Mode
- Built in WiFi
- Auto Restart
- Base Pan Heater
- Energy Saving Program(ESP)
- Wireless Remote control
- Outdoor Unit Low Noise Schedule



MODEL NUMBERS

Indoor Unit	ASU9RLS3Y
Outdoor Unit	AOU9RLS3H
System	9RLS3YH

EFFICIENCIES

SEER	33	
EER	18	
HSPF	14.2	
COP	kW/kW	5.33
	Btu/hW	18.20

OUTDOOR TEMPERATURE OPERATION RANGE

Cooling	*F(°C)	14 to 115 (-10 to 46)
Heating		-15 to 75 (-26 to 24)

CAPACITIES

Cooling	Rated	BTU/hW	9,000
	Min.-Max.		3100 - 12000
Heating	Rated		12,000
	Min.-Max.		3100 - 22000

LINESET REQUIREMENTS

Connection Method	Flare		
Liquid	in (mm)	Ø1/4 (Ø6.35)	
Gas		Ø3/8 (Ø9.52)	
Pre-Charge Length	ft (m)	49 (15)	
Minimum Length		10 (3)	
Maximum Length		66 (20)	
Max. Height Diff.		49 (15)	

INDOOR DIMENSIONS & WEIGHT

Net (H x W x D)	in	11 - 5/8 x 37 x 10 - 5/8
	mm	295 x 940 x 270
Gross (H x W x D)	in	14 - 3/8 x 40 - 15/16 x 14
	mm	365 x 1040 x 355
Net Weight	lb (kg)	31 (14.0)
Gross Weight		37 (17.0)

OUTDOOR DIMENSIONS & WEIGHT

Net (H x W x D)	in	24-1/2 x 31-1/8 x 11-7/16
	mm	620 x 790 x 290
Gross (H x W x D)	in	28 - 1/16 x 37-3/16 x 15 - 9/16
	mm	713 x 945 x 395
Net Weight	lb (kg)	86
Gross Weight		95

Warranty Information



7 Year Compressor, 5 Year Parts out-of-the-box Warranty



10 Year Compressor, 10 Year Parts Warranty when registered within 60 days of installation in a residence



12 Year Compressor, 12 Year Parts Warranty when registered within 60 days of installation in a residence, and installed by a Fujitsu Elite contractor

ACCESSORIES

UTY-TTRX	3rd Party Thermostat Converter
UTY-TWBXF1	Interface Kit
UTY-RNNUM	Wired Remote
UTY-RVNUM	Wired Remote w/backlight
UTY-RSNUM	Simple Remote
UTY-XWZXZ5	Dry Contact Wire Kit



This system combination is Energy Star qualified



+App available in Apple® App Store and Google® Play Store.



Due to continuous product improvements, specifications are subject to change without notice. Please log in to the Fujitsu Portal for the most up-to-date documentation <https://portal.fujitsugeneral.com>



Indoor Unit ETL#: 3170288
 Outdoor Unit ETL#: 91987



SUBMITTAL 9RLS3YH

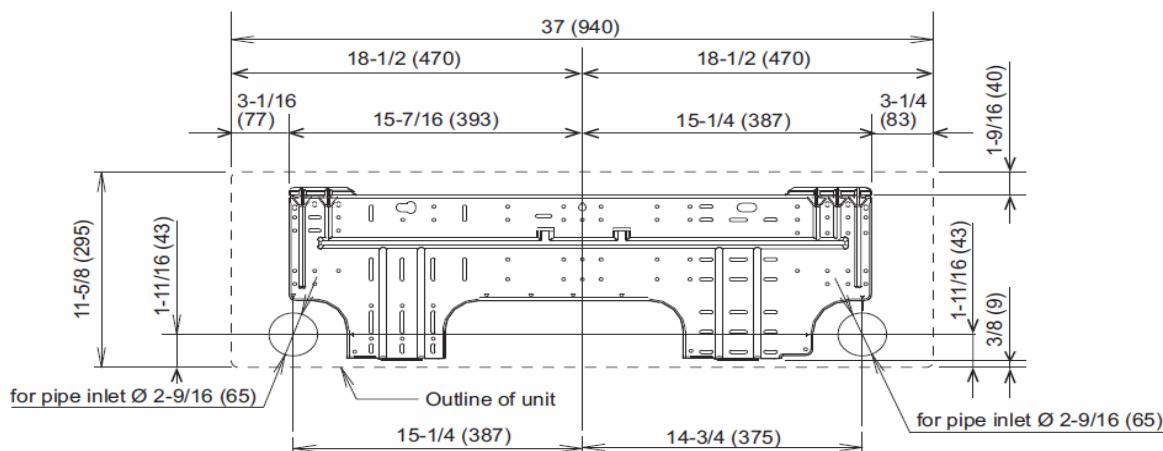


Inverter Driven Heat Pump

9,000 BTU Single Zone High SEER Wall Mounted System

FAN DATA				ELECTRICAL SPECIFICATIONS					
Indoor Unit Airflow Rate	Cooling	High	CFM (m3/h)	489(830)		Voltage/Frequency/Phase		208/230V-60HZ	
		Medium		400(680)		Voltage Range		187-253V-60HZ	
		Low		341(580)		Current	Cooling	Rated	2.5
		Quiet		224(380)			Heating	Rated	3.3
	Heating	High	CFM (m3/h)	489(830)		Maximum Operating Current	Cooling	A	9.4
		Medium		400(680)			Heating		10.9
		Low		341(580)		Starting Current		3.3	
		Quiet		224(380)		MCA		14.4	
Outdoor Unit Airflow Rate		Cooling	989 (1,680)		Maximum Circuit Breaker		15		
		Heating	1,082 (1,840)		Input Power	Cooling	Rated	0.5	
						Min.-Max.	kW	0.85	
						Heating	Rated	0.66	
						Min.-Max.		1.93	
					Power Factor	Cooling	%	87	
						Heating		87	
SOUND PRESSURE									
Indoor Unit	Cooling	High	dB (A)	42		OTHER			
		Medium		37					
		Low		32					
		Quiet		23					
	Heating	High	dB (A)	41					
		Medium		35					
		Low		31					
		Quiet		23					
Outdoor Unit		Cooling	42		Moisture Removal	pints/h (L/h)	1.2(2.6)		
		Heating	47		Energy Star		Yes		
					Drain hose	Material	PP+LLDP		
					Size	in (mm)	Ø 9/16 (Ø 13.8) (I.D.) Ø 5/8 to Ø 11/16 (Ø 15.8 to Ø 16.7) (O.D.)		
							Operation Range	Cooling	°F (°C)
						%RH		80 or less	
						Heating	°F (°C)	60 to 88 (16 to 30)	
REFRIGERANT									
Type				R410A					
Charge	lb oz			21b 14oz					
	kg			1,300					
Oil Type				POE (RB68)					

Wall Bracket Data:



The Fujitsu logo is a worldwide trademark of Fujitsu General Limited. The Halcyon logo and name is a worldwide trademark of Fujitsu General Limited and is a registered trademark in Japan, the USA and other countries or areas. Copyright 2018 Fujitsu General America, Inc. Fujitsu's products are subject to continuous improvements. Fujitsu reserves the right to modify product design, specifications and information in this brochure without notice and without incurring any obligations.

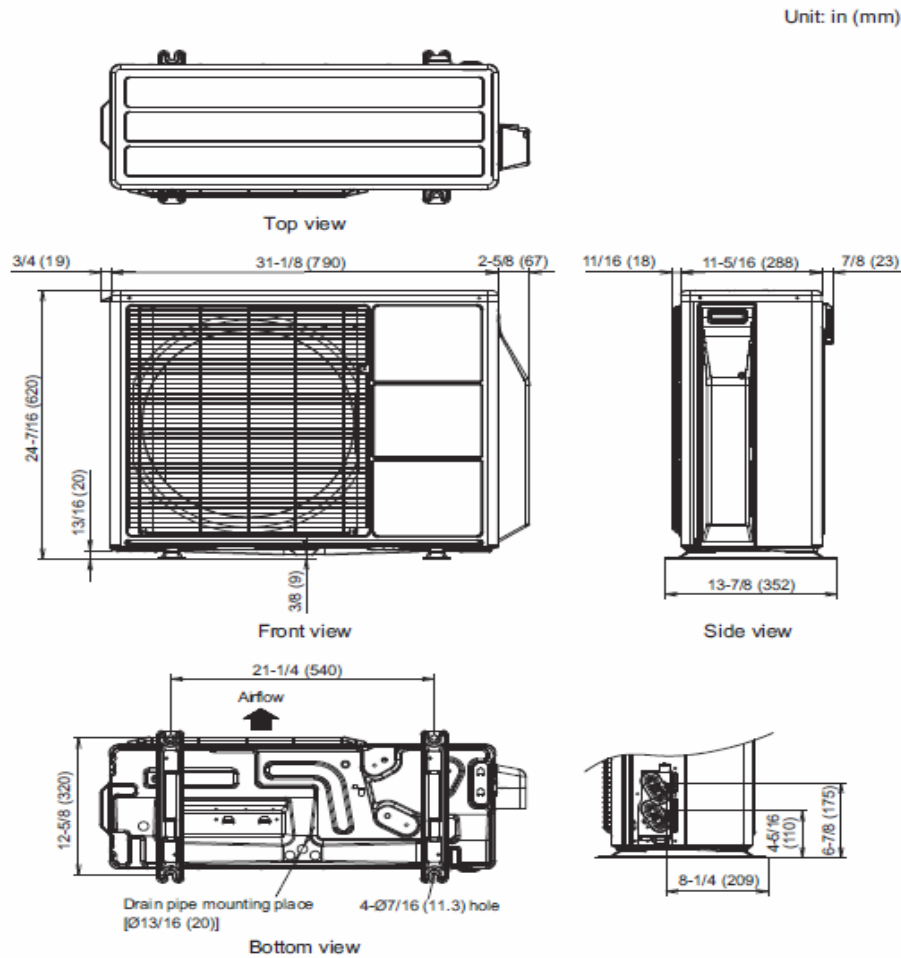
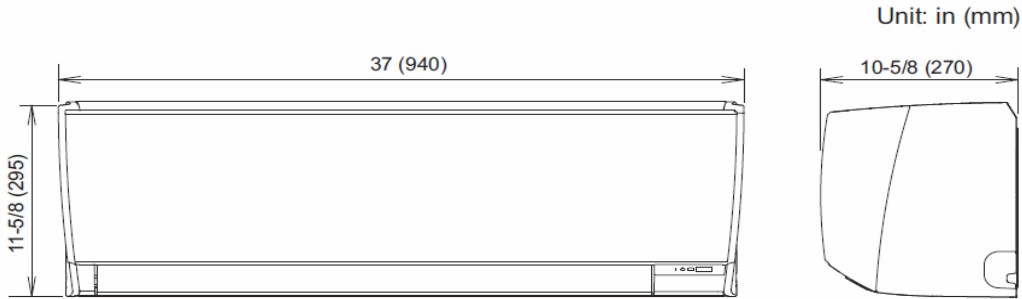
Note: Specifications are based on the following conditions:
 Cooling: Indoor temperature of 80°F (26.7°C) DB/67°F (19.4°C) WB, and outdoor temperature of 95°F (35°C) DB/75°F (23.9°C) WB. Heating: Indoor temperature of 70°F (21.1°C) DB/60°F (15.6°C) WB, and outdoor temperature of 47°F (8.3°C) DB/43°F (6.1°C) WB. Pipe length: 25ft. (7.5m), Height difference: 0ft. (0m) (Outdoor unit - indoor unit).

Inverter Driven Heat Pump

9,000 BTU Single Zone High SEER Wall Mounted System

DIMENSIONS

Units: In. (mm)



The Fujitsu logo is a worldwide trademark of Fujitsu General Limited. The Halcyon logo and name is a worldwide trademark of Fujitsu General Limited and is a registered trademark in Japan, the USA and other countries or areas. Copyright 2018 Fujitsu General America, Inc. Fujitsu's products are subject to continuous improvements. Fujitsu reserves the right to modify product design, specifications and information in this brochure without notice and without incurring any obligations.

Note: Specifications are based on the following conditions:
 Cooling: Indoor temperature of 80°F (26.7°C) DB/67°F (19.4°C) WB, and outdoor temperature of 95°F (35°C) DB/75°F (23.9°C) WB. Heating: Indoor temperature of 70°F (21.1°C) DB/60°F (15.6°C) WB, and outdoor temperature of 47°F (8.3°C) DB/43°F (6.1°C) WB. Pipe length: 25ft. (7.5m), Height difference: 0ft. (0m) (Outdoor unit - indoor unit).