

Inverter Driven Heat Pump
36,000 BTU Multi Zone System

Job Name _____
 Location _____
 Engineer _____
 Submitted To _____
 Submitted By _____
 Reference _____

Date _____
 Approval _____
 Construction _____
 Unit No _____
 Drawing No _____

PRODUCT FEATURES

- Operate as few as one indoor unit or all indoor units
- Mix & match from 4 indoor unit styles
- Blue-fin condenser coil coating


MODEL NUMBERS

System	36RLXFZ1		
Outdoor Unit	AOU36RLXFZ1		
Indoor Unit	Non-Ducted	Ducted	Mix

EFFICIENCIES

SEER		18	16	17
EER		10	9	9.5
HSPF		9.4	8.7	9.1
COP	kw/kw	3.56	3.32	3.44
	Btu/hW	12.1	11.3	11.7

OUTDOOR TEMPERATURE OPERATION RANGE

Cooling	*F(*C)	14 to 115 (-10 to 46)
Heating		5 to 75 (-15 to 24)

CAPACITIES

Total Capacity Range			27,000 to 39,000 Btu/h
Cooling	Rated	BTU/hW	35200
	Min.-Max.		11,000-38,000
Heating	Rated		36400
	Min.-Max.		11,000-42,000

LINESET REQUIREMENTS

Connection Method		Flare
Liquid	in (mm)	Ø1/4 (Ø6.35) × 4
Gas		Ø3/8 (Ø9.52) × 3 + Ø1/2 (Ø12.7) × 1
Pre-Charge Length	ft (m)	164 (50)**
Maximum Length		230 (70)
Maximum Length Each		82 (25)
Minimum Length		66 (20)
Minimum Length Each		16 (5)
Max. Height Diff.		49 (15)

OUTDOOR DIMENSIONS & WEIGHT

Net (H x W x D)	in	32-11/16 × 35-7/16 × 13
	mm	830 × 900 × 330
Gross (H x W x D)	in	39-3/8 × 41-5/16 × 17-1/2
	mm	1,000 × 1,050 × 445
Net Weight		149 (68)
Gross Weight	lb (kg)	168 (76)

SOUND PRESSURE

Outdoor Unit	Cooling	dB (A)	53
	Heating		55

Warranty Information


7 Year Compressor, 5 Year Parts out-of-the-box Warranty



10 Year Compressor, 10 Year Parts Warranty when registered within 30 days of installation in a residence



12 Year Compressor, 12 Year Parts Warranty when registered within 30 days of installation in a residence, and installed by a Fujitsu Elite contractor

FAN DATA

Outdoor Unit	Cooling	CFM (m3/h)	2,119 (3,600)
Airflow Rate	Heating		2,237 (3,800)

CONNECTABLE INDOOR UNIT

TYPE		Slim Duct (ARU)
		Wall Mount (ASU)
		Compact Cassette (AAU)
NUMBER		Floor Mount (AGU)
		2 to 4



Outdoor Unit ETL#: 91987

Due to continuous product improvements, specifications are subject to change without notice. Please log in to the Fujitsu Portal for the most up-to-date documentation
<https://portal.fujitsugeneral.com>

Effective Date: 10/16/2019

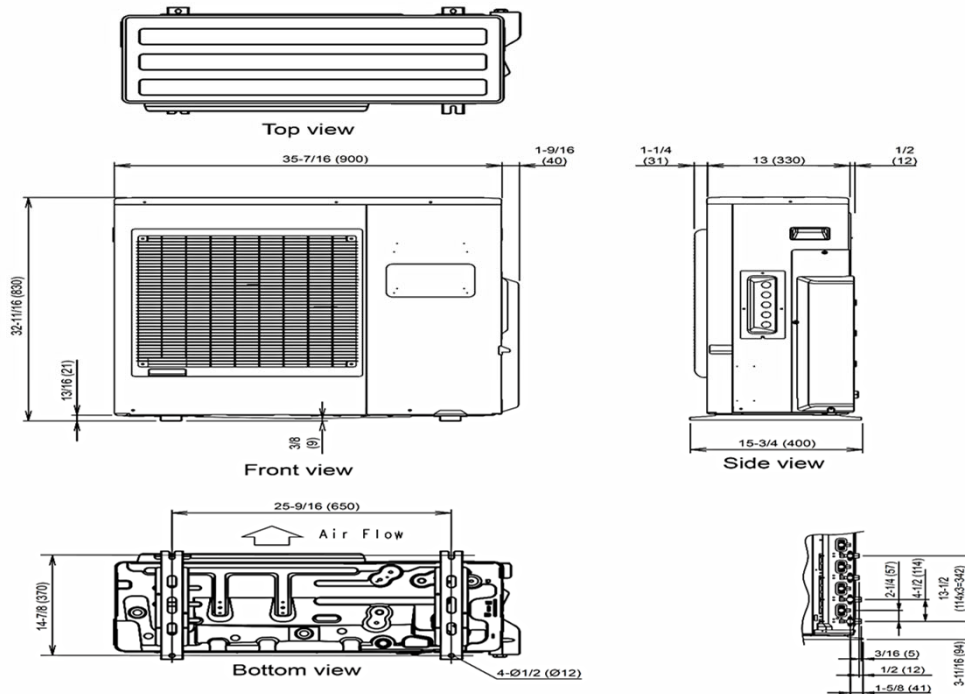
Version 36RLXFZ1 -2019A

Inverter Driven Heat Pump
36,000 BTU Multi Zone System

REFRIGERANT				
Type	R410A			
Charge	lb oz	7 lb 1 oz		
	g	0		
Oil Type	RB68			
ELECTRICAL SPECIFICATIONS		Non-Ducted	Ducted	Mix
Voltage/Frequency/Phase		1Ø 208/230 V 60 Hz		
Voltage Range		187-264V		
Rated Current (A)	Cooling	15.4	17.1	15.9
	Heating	13.1	15.1	14.1
Maximum Operating Current		20.3		
Starting Current		17.1		
MCA		24.6		
Maximum Circuit Breaker		30		
Rated Input Power (kW)	Cooling	3.52	3.92	3.71
	Heating	3	3.22	3.11
Max. Input Power (kW)	Cooling	4.1	4.38	4.24
	Heating	3.7	3.85	3.78

DIMENSIONS

Units: In. (mm)



The Fujitsu logo is a worldwide trademark of Fujitsu General Limited. The Halcyon logo and name is a worldwide trademark of Fujitsu General Limited and is a registered trademark in Japan, the USA and other countries or areas. Copyright 2018 Fujitsu General America, Inc. Fujitsu's products are subject to continuous improvements. Fujitsu reserves the right to modify product design, specifications and information in this brochure without notice and without incurring any obligations.

Note: Specifications are based on the following conditions:
 Cooling: Indoor temperature of 80°F (26.7°C) DB/67°F (19.4°C) WB, and outdoor temperature of 95°F (35°C) DB/75°F (23.9°C) WB. Heating: Indoor temperature of 70°F (21.1°C) DB/60°F (15.6°C) WB, and outdoor temperature of 47°F (8.3°C) DB/43°F (6.1°C) WB. Pipe length: 25ft. (7.5m), Height difference: 0ft. (0m) (Outdoor unit – indoor unit).