

Inverter Driven Heat Pump

24,000 BTU Wall Mount Type

Job Name _____
 Location _____
 Engineer _____
 Submitted To _____
 Submitted By _____
 Reference _____

Date _____
 Approval _____
 Construction _____
 Unit No _____
 Drawing No _____

PRODUCT FEATURES

- Wireless remote controller
- Auto|Cool|Dry|Fan|Heat modes
- 24 Hr. timer
- Powerful mode
- Cold prevention
- Auto Restart



MODEL NUMBERS				
Indoor Unit	ASU24RLF			
Nominal Capacity	24,000			
LINESET REQUIREMENTS				
Connection Method		Flare		
Liquid		Ø1/4 (Ø6.35)		
Gas	in (mm)	Ø5/8 (Ø15.88)		
Drain hose	Material	PVC		
	in	Ø 1/2(I.D.), Ø 5/8(O.D)		
	mm	Ø 12(I.D.), Ø 16(O.D.)		
INDOOR DIMENSIONS & WEIGHT				
Net (H x W x D)	in	12-5/8 x 39-1/4 x 9		
	mm	320 x 998 x 228		
Gross (H x W x D)	in	12-9/16 x 42-15/16 x 16-7/8		
	mm	319 x 1,090 x 429		
Net Weight	lb (kg)	31 (14)		
Gross Weight		40 (18)		
ELECTRICAL SPECIFICATIONS				
Voltage/Frequency/Phase	208/230 V ~ 60 Hz			
Voltage Range	187-264 V			
Running Current	A	0.53		
Input Power	W	69		
SOUND PRESSURE				
Indoor Unit	Cooling	High	dB (A)	49
		Medium		42
		Low		37
	Quiet	33		
	Heating	High	48	
		Medium	42	
		Low	37	
		Quiet	33	
FAN DATA				
Airflow Rate	Cooling	High	CFM (m3/h)	659 (1,120)
		Medium		530 (900)
		Low		436 (740)
		Quiet		365 (620)
	Heating	High		647 (1,100)
		Medium		530 (900)
		Low		436 (740)
		Quiet		365 (620)

Warranty Information



7 Year Compressor, 5 Year Parts out-of-the-box Warranty



10 Year Compressor, 10 Year Parts Warranty when registered within 30 days of installation in a residence



12 Year Compressor, 12 Year Parts Warranty when registered within 30 days of installation in a residence, and installed by a Fujitsu Elite contractor

ENCLOSURE

Enclosure	Material	Color
	Polystyrene	White

ACCESSORIES

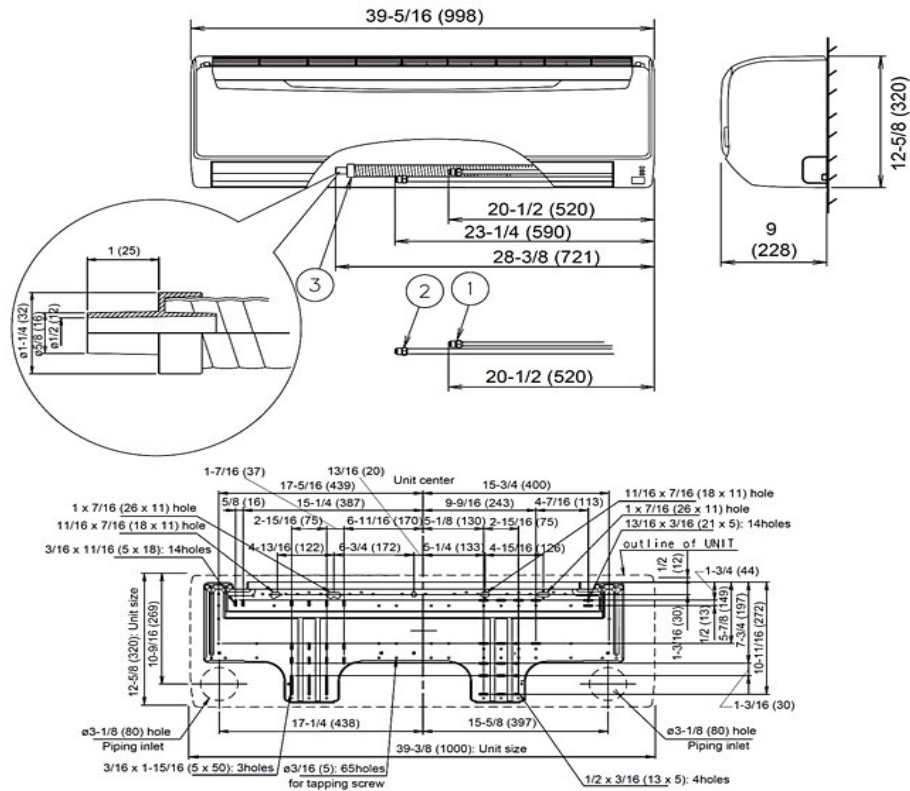
UTY-TTRX	3rd Party Thermostat Converter
UTY-TFNXZ2	WiFi interface Module
UTY-RNNUM	Wired Remote
UTY-RVNUM	Wired Remote w/backlight
UTY-RSNUM	Simple Remote
UTY-XWZX	Dry Contact Wire Kit
FJ-RC-WIFI-1NA	Intesis Wired WiFi module
FJ-IR-WIFI-1NA	Intesis IR WiFi module



ETL#: 3170288

Due to continuous product improvements, specifications are subject to change without notice. Please log in to the Fujitsu Portal for the most up-to-date documentation <https://portal.fujitsugeneral.com>

Effective Date: 10/4/2019 Version ASU24RLF -2019B



The Fujitsu logo is a worldwide trademark of Fujitsu General Limited. The Halcyon logo and name is a worldwide trademark of Fujitsu General Limited and is a registered trademark in Japan, the USA and other countries or areas. Copyright 2018 Fujitsu General America, Inc. Fujitsu's products are subject to continuous improvements. Fujitsu reserves the right to modify product design, specifications and information in this brochure without notice and without incurring any obligations.

Note: Specifications are based on the following conditions:
 Cooling: Indoor temperature of 80°F (26.7°C) DB/67°F (19.4°C) WB, and outdoor temperature of 95°F (35°C) DB/75°F (23.9°C) WB. Heating: Indoor temperature of 70°F (21.1°C) DB/60°F (15.6°C) WB, and outdoor temperature of 47°F (8.3°C) DB/43°F (6.1°C) WB. Pipe length: 25ft. (7.5m), Height difference: 0ft. (0m) (Outdoor unit - indoor unit).