

Inverter Driven Heat Pump

7,000 BTU Wall Mount Type

Job Name _____
 Location _____
 Engineer _____
 Submitted To _____
 Submitted By _____
 Reference _____

Date _____
 Approval _____
 Construction _____
 Unit No _____
 Drawing No _____

PRODUCT FEATURES

- Wireless remote controller
- Auto|Cool|Dry|Fan|Heat modes
- 24 Hr. timer
- Powerful mode
- Cold prevention
- Auto Restart



MODEL NUMBERS				
Indoor Unit	ASU7RLF1			
Nominal Capacity	7,000			
LINESET REQUIREMENTS				
Connection Method	Flare			
Liquid	Ø1/4 (Ø6.35)			
Gas	Ø3/8 (Ø9.52)			
Drain hose	Material	PP + LLDPE		
	in	Ø 9/16(I.D.), Ø 5/8 to Ø 11/16(O.D.)		
	mm	Ø 13.8(I.D.), Ø 15.8 to Ø 16.7(O.D.)		
INDOOR DIMENSIONS & WEIGHT				
Net (H x W x D)	in	10-9/16 x 33-1/16 x 8		
	mm	268 x 840 x 203		
Gross (H x W x D)	in	10-5/8 x 34-13/16 x 14-3/4		
	mm	270 x 884 x 336		
Net Weight	lb (kg)	19 (8.5)		
Gross Weight		23 (10.5)		
ELECTRICAL SPECIFICATIONS				
Voltage/Frequency/Phase	208/230 V ~ 60 Hz			
Voltage Range	187-264 V			
Running Current	A	0.13		
Input Power	W	15		
SOUND PRESSURE				
Indoor Unit	Cooling	High	dB (A)	36
		Medium		32
		Low		29
		Quiet		21
	Heating	High	dB (A)	36
		Medium		32
		Low		29
		Quiet		22
FAN DATA				
Airflow Rate	Cooling	High	CFM (m3/h)	330 (560)
		Medium		294 (500)
		Low		253 (430)
		Quiet		182 (310)
	Heating	High	CFM (m3/h)	330 (560)
		Medium		294 (500)
		Low		253 (430)
		Quiet		194 (330)

Warranty Information



7 Year Compressor, 5 Year Parts out-of-the-box Warranty



10 Year Compressor, 10 Year Parts Warranty when registered within 30 days of installation in a residence



12 Year Compressor, 12 Year Parts Warranty when registered within 30 days of installation in a residence, and installed by a Fujitsu Elite contractor

ENCLOSURE

Enclosure	Material	Polystyrene
	Color	White

ACCESSORIES

UTY-TTRX	3rd Party Thermostat Converter
UTY-XCBXZ2	Interface Kit
UTY-RNNUM	Wired Remote
UTY-RVNUM	Wired Remote w/backlight
UTY-RSNUM	Simple Remote
UTY-XWZXZ5	Dry Contact Wire Kit
FJ-RC-WIFI-1NA	Intesis Wired WiFi module
FJ-IR-WIFI-1NA	Intesis IR WiFi module
UTY-TFNXZ2	WiFi interface Module



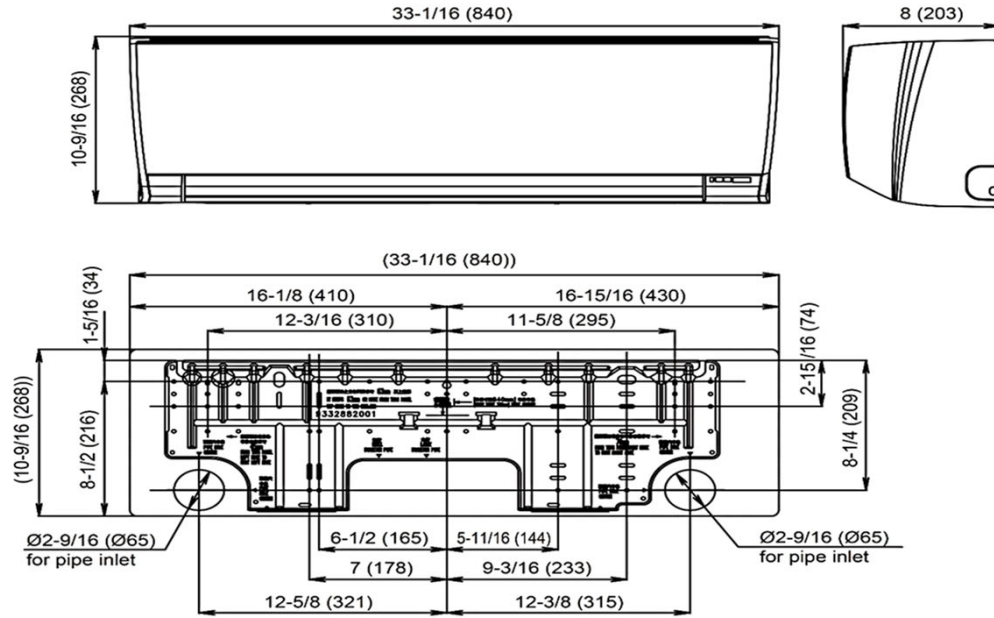
ETL#: 3170288

Due to continuous product improvements, specifications are subject to change without notice. Please log in to the Fujitsu Portal for the most up-to-date documentation <https://portal.fujitsugeneral.com>

Effective Date: 10/1/2019 Version ASU7RLF1 -2019B

DIMENSIONS

Units: In. (mm)



The Fujitsu logo is a worldwide trademark of Fujitsu General Limited. The Halcyon logo and name is a worldwide trademark of Fujitsu General Limited and is a registered trademark in Japan, the USA and other countries or areas. Copyright 2018 Fujitsu General America, Inc. Fujitsu's products are subject to continuous improvements. Fujitsu reserves the right to modify product design, specifications and information in this brochure without notice and without incurring any obligations.

Note: Specifications are based on the following conditions:
 Cooling: Indoor temperature of 80°F (26.7°C) DB/67°F (19.4°C) WB, and outdoor temperature of 95°F (35°C) DB/75°F (23.9°C) WB. Heating: Indoor temperature of 70°F (21.1°C) DB/60°F (15.6°C) WB, and outdoor temperature of 47°F (8.3°C) DB/43°F (6.1°C) WB. Pipe length: 25ft. (7.5m), Height difference: 0ft. (0m) (Outdoor unit - indoor unit).